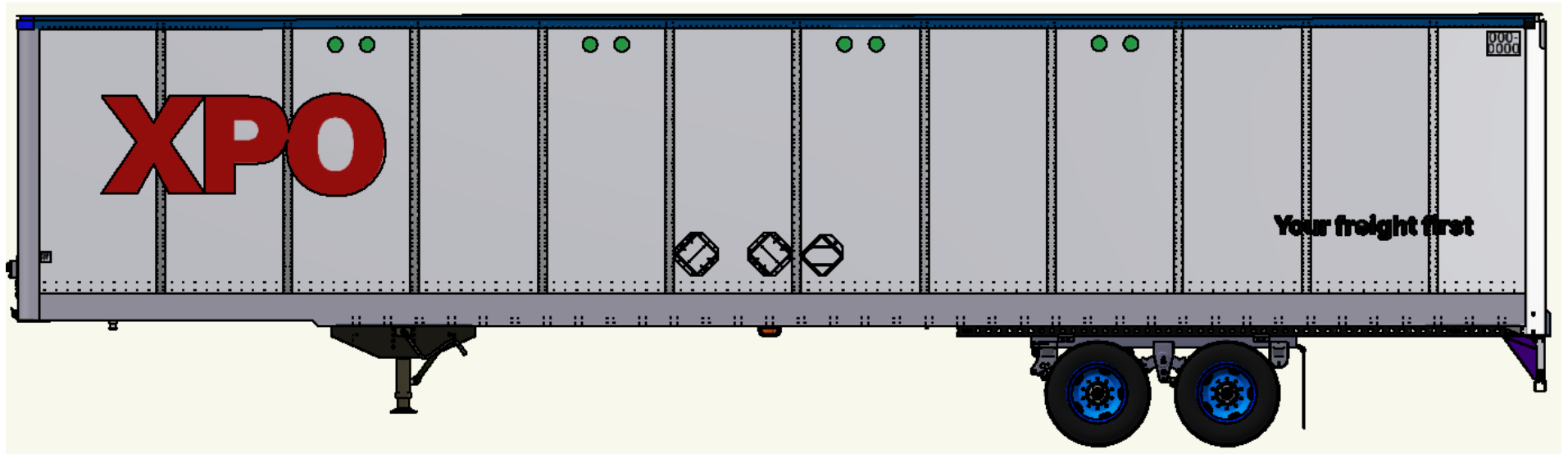


# XPO

## 2024 Parts Book



Initial Release: 5/1/2024

## Trailer Models:

### 28' Trailers

LTL28N00A-35

LTL28NL0A-35

LTL28NL0B-35

### 48' Trailers

LTL48N00A-35

LTL48NL0A-37

### 53' Trailers

LTL53N00A-37



# Table of Contents

## SECTION 1 – 28’ Trailers

LTL28N00A-35.....	6 - 52
LTL28NLOA-35.....	53 - 92
LTL28NLOB-35.....	93 - 131

## SECTION 2 – 48’ TRAILERS

LTL48N00A-35.....	133-181
LTL48NLOA-37.....	182-222

## SECTION 3 – 53’ TRAILERS

LTL53N00A-37.....	224 - 267
-------------------	-----------

## ACCESORY KITS FOR LTL XPO TRAILERS

KIT LISTS.....	268-269
FLIP SIGNS.....	271-274
SKY LIGHT.....	275
PLACARD HOLDERS.....	276-277
MANIFEST BOX.....	278

## DECAL ASSEMBLIES FOR LTL XPO TRAILERS

BODY DECAL KITS.....	280-283
COPORATE DECAL ASSEMBLIES.....	284-285

**R**

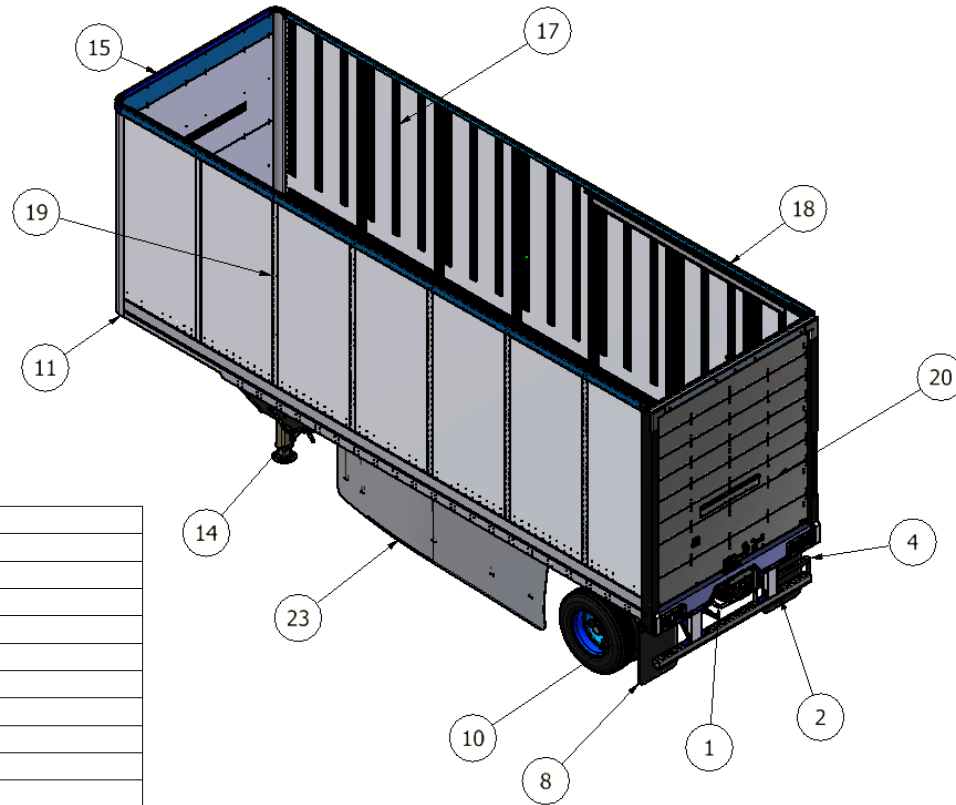
Roof Assemblies.....288-290



# **XPO**

## **28' TRAILER ASSEMBLIES FOR LTL TRAILERS**

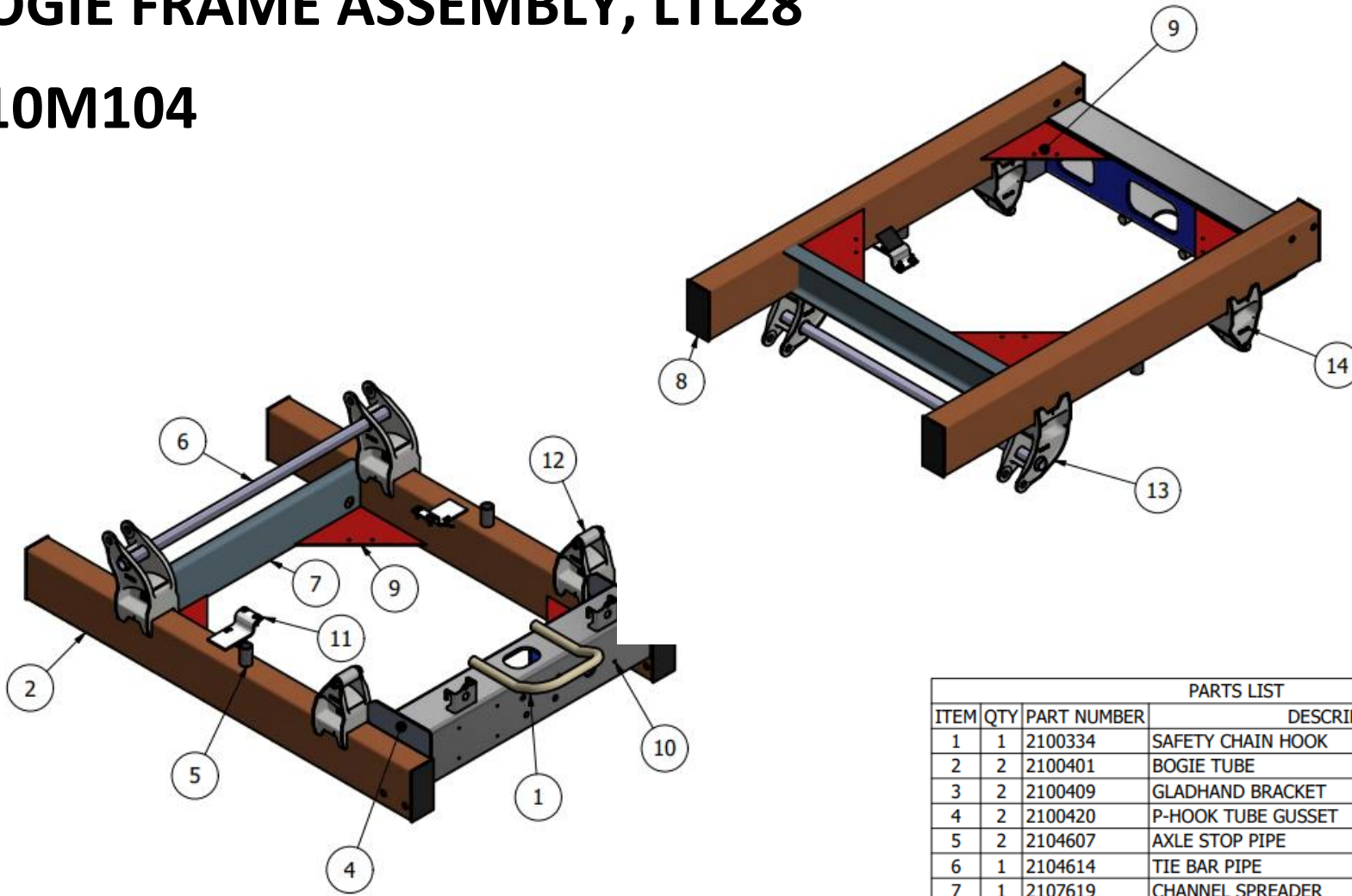
# LTL28N00A-35



PARTS LIST			
ITEM	QTY	PART NUMBER	DESCRIPTION
1	1	210M104	BOGIE FRAME ASSEMBLY
2	1	210N121	BUMPER ASSEMBLY
3	1	210N122	KIT, BUMPER ATTACHMENT
4	1	210N125	BUMPER STEP ASSEMBLY
5	1	210N335	PINTLE HOOK ASSEMBLY
6	1	220M250	AXLE ASSEMBLY, DISC BRAKE
7	1	230M044	SUSPENSION ASSEMBLY, SINGLE
8	1	240M035	TAIL LIGHT & MUD FLAP AY.
9	1	240M282	WHEEL NUT ASSM, 33 MM GUARD
10	4	240N271	NEW WHEEL & TIRE ASSM
11	1	310M051	UPPER COUPLER ASSEMBLY
12	1	330M052	BOGIE SUB-FRAME
13	1	340M190	FLOOR ASSEMBLY, 28'
14	1	350M041	LANDING LEG ASSEMBLY
15	1	410M126	FORWARD WALL ASSY - 28'
16	1	420N330	SIDEWALL SCUFF LINER
17	1	420N915	ANCRA LIFT-A-DECK, 28'
18	1	421N070	C/S SIDEWALL ASSEMBLY
19	1	422N070	R/S SIDEWALL ASSEMBLY
20	1	500M108	ROLL-UP DOOR ASSEMBLY
21	1	700M131	AIR BRAKE ASSM
22	1	800M121	ELECT ASSM, LTL28N00A-10
23	1	900M044	FAIRING ASSEMBLY, 28'

# BOGIE FRAME ASSEMBLY, LTL28'

## 210M104

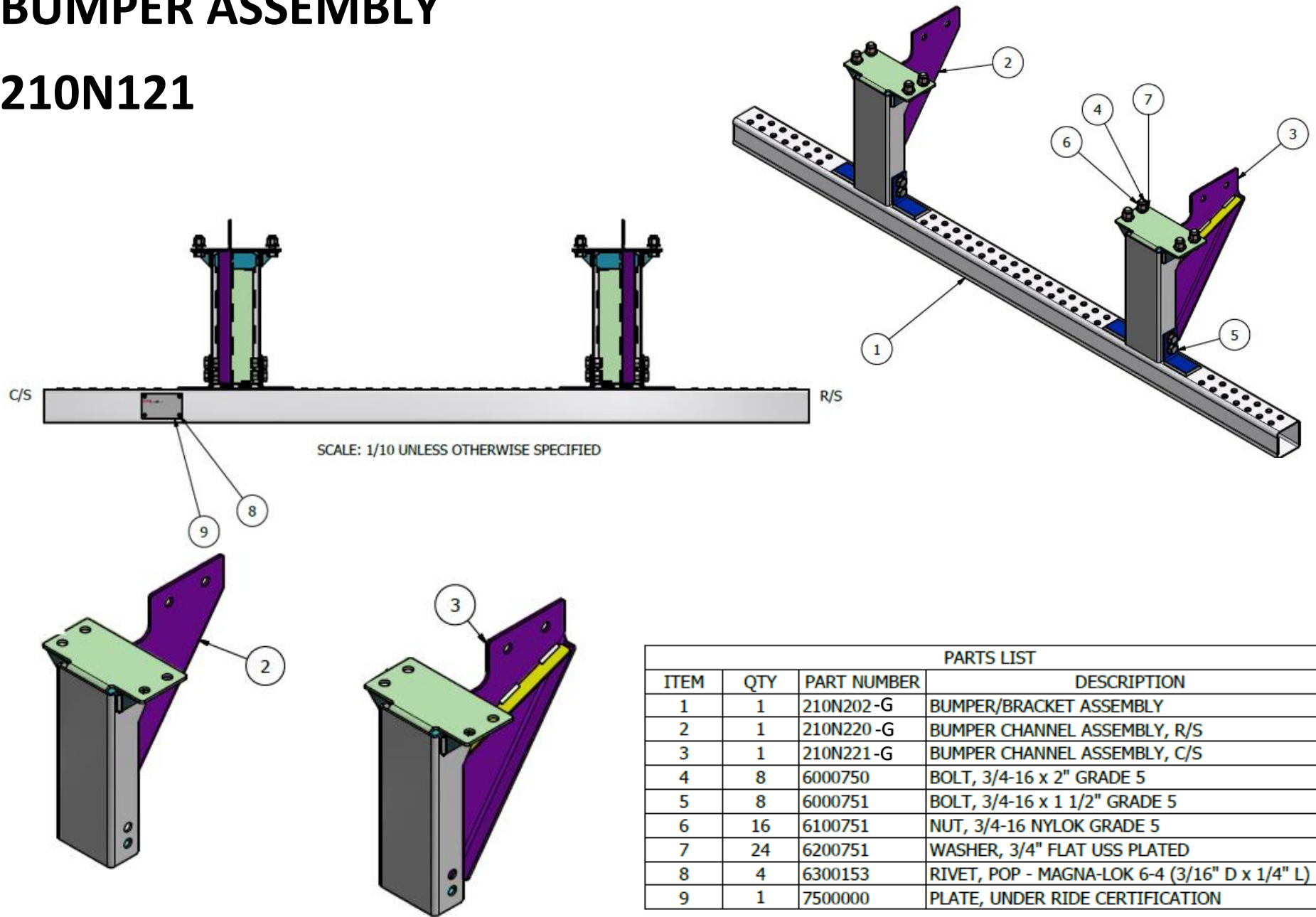


OE NUMBER FOR HANGERS:  
 FRONT: HUTCH 702-17  
 REAR: HUTCH 712-27

PARTS LIST			
ITEM	QTY	PART NUMBER	DESCRIPTION
1	1	2100334	SAFETY CHAIN HOOK
2	2	2100401	BOGIE TUBE
3	2	2100409	GLADHAND BRACKET
4	2	2100420	P-HOOK TUBE GUSSET
5	2	2104607	AXLE STOP PIPE
6	1	2104614	TIE BAR PIPE
7	1	2107619	CHANNEL SPREADER
8	4	2107652	BOGIE TUBE END CAP PLATE
9	4	2107671	INNER BOGIE TUBE TRIANGLE GUSSET
10	1	210N047	P-HOOK CHANNEL
11	1	210N762	AIR TANK BRACKET ASSEMBLY
12	2	2300150	BUSHING, RUBBER - REAR
13	2	2300156	HANGER, STRADDLE CAST - FRONT
14	2	2300157	HANGER, STRADDLE CAST, REAR

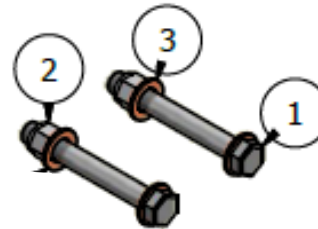
# BUMPER ASSEMBLY

## 210N121



# BUMPER ATTACHMENT, 28'

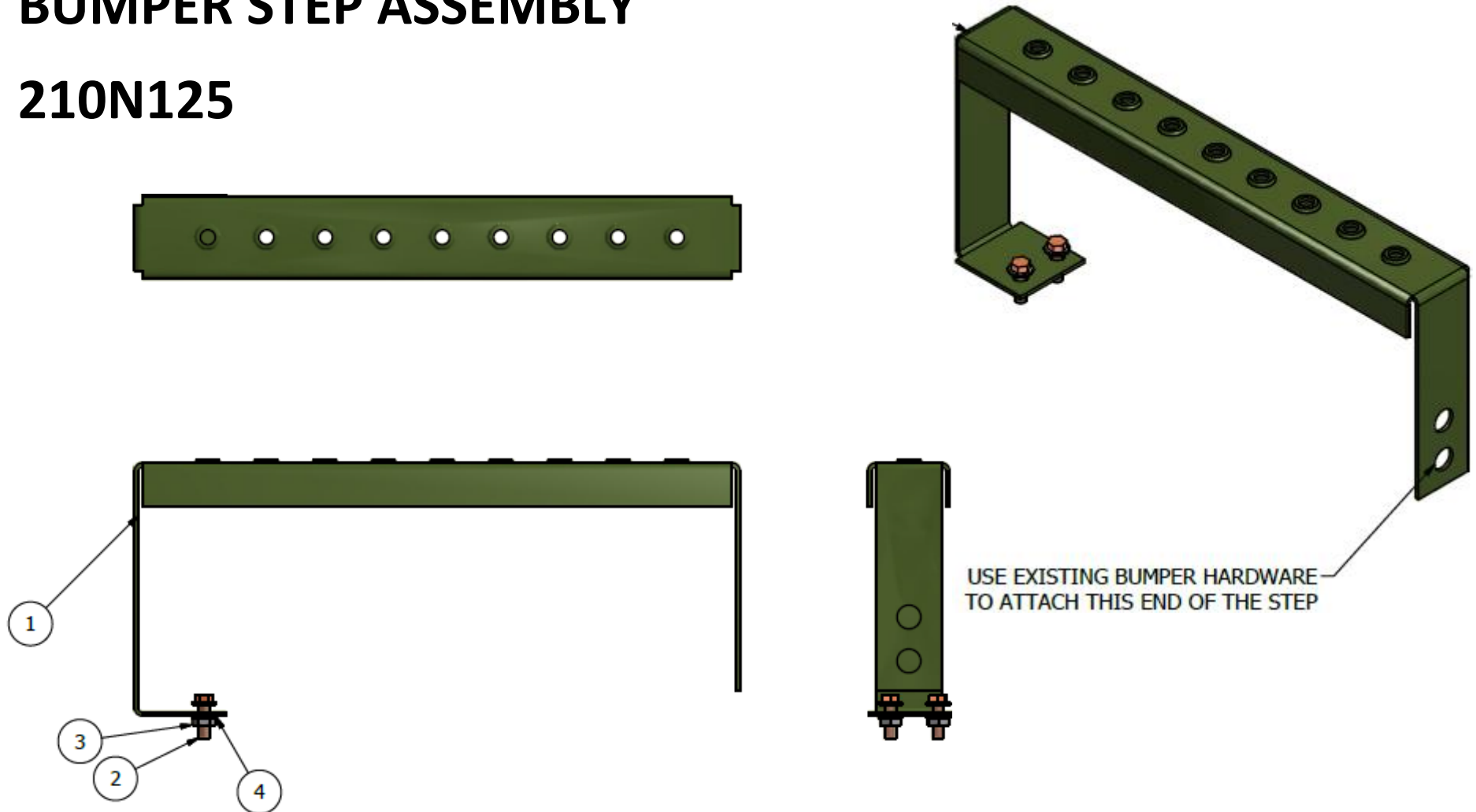
## 210N122



PARTS LIST			
ITEM	QTY	PART NUMBER	DESCRIPTION
1	4	6000274	BOLT, 3/4"-16 X 6" GRADE 8 PLATED
2	4	6100263	NYLOK NUT, 3/4"-16 GRADE 8
3	8	6200751	WASHER, 3/4" ALLOY

# BUMPER STEP ASSEMBLY

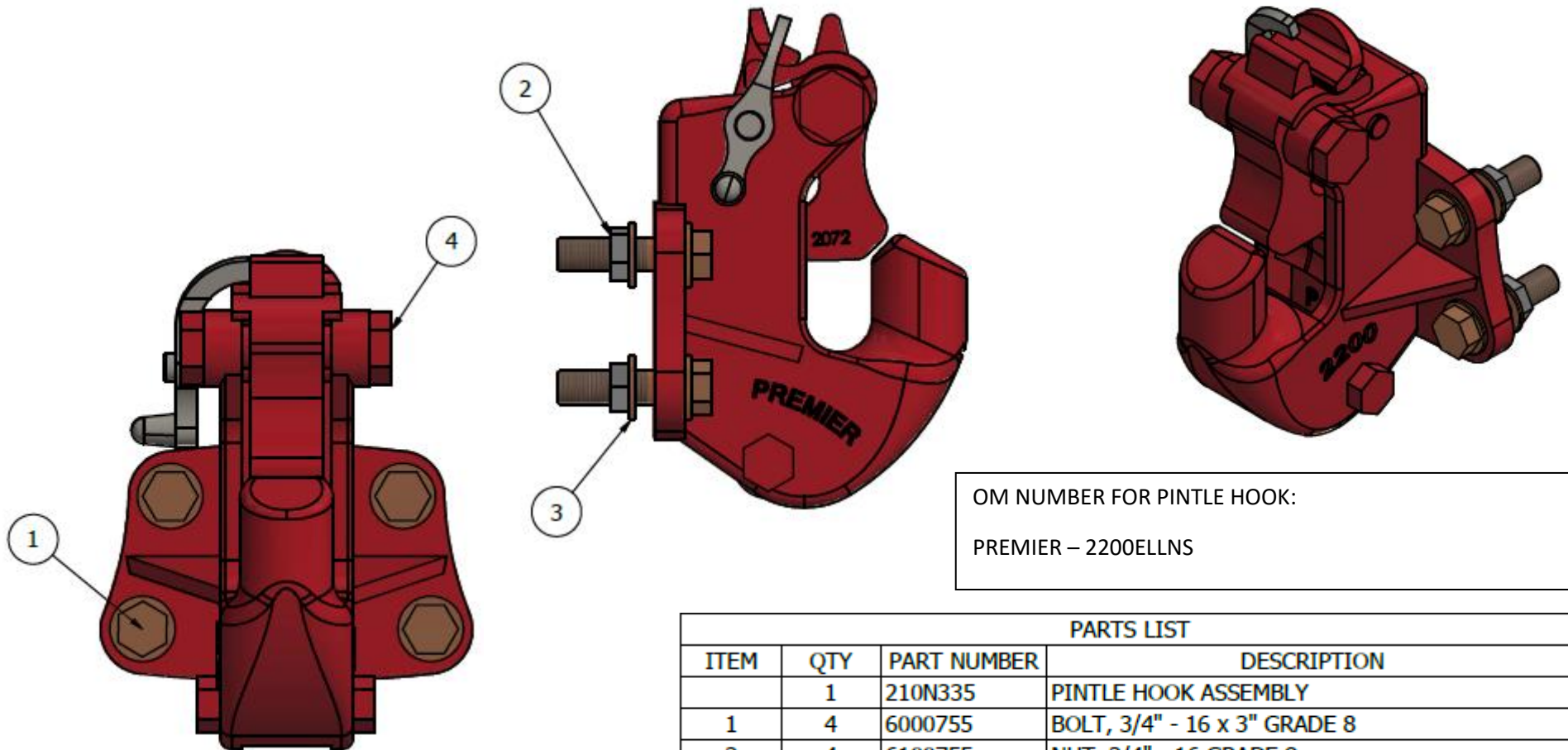
## 210N125



PARTS LIST			
ITEM	QTY	PART NUMBER	DESCRIPTION
1	1	2100378	BUMPER STEP
2	2	6000375	BOLT, 3/8-16 x 1 1/4" GRADE 8
3	2	6100381	NUT, 3/8-16 LOCK CROWN GRADE 8
4	4	6200378	WASHER, 3/8" FLAT SAE PLATED

# PINTLE HOOK ASSEMBLY, NEW

## 210N335



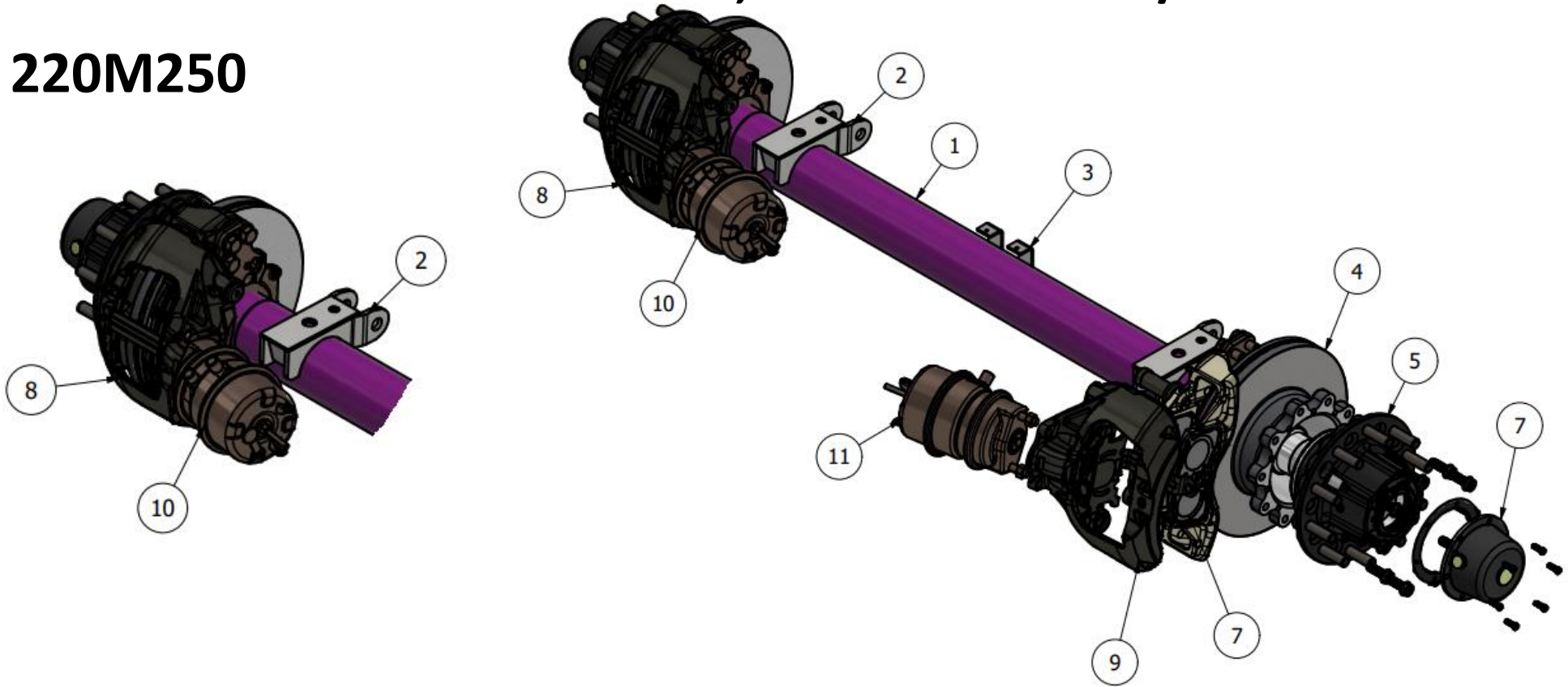
OM NUMBER FOR PINTLE HOOK:  
PREMIER – 2200ELLNS

PARTS LIST			
ITEM	QTY	PART NUMBER	DESCRIPTION
	1	210N335	PINTLE HOOK ASSEMBLY
1	4	6000755	BOLT, 3/4" - 16 x 3" GRADE 8
2	4	6100755	NUT, 3/4" - 16 GRADE 8
3	8	6200751	WASHER, 3/4"
4	1	2100335	PINTLE HOOK, PREMIER 2200ELL

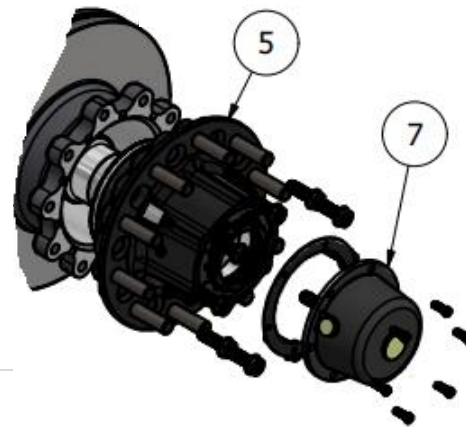


# AXLE AND WHEEL ASSEMBLY, DISC BRAKES W/ OIL

## 220M250



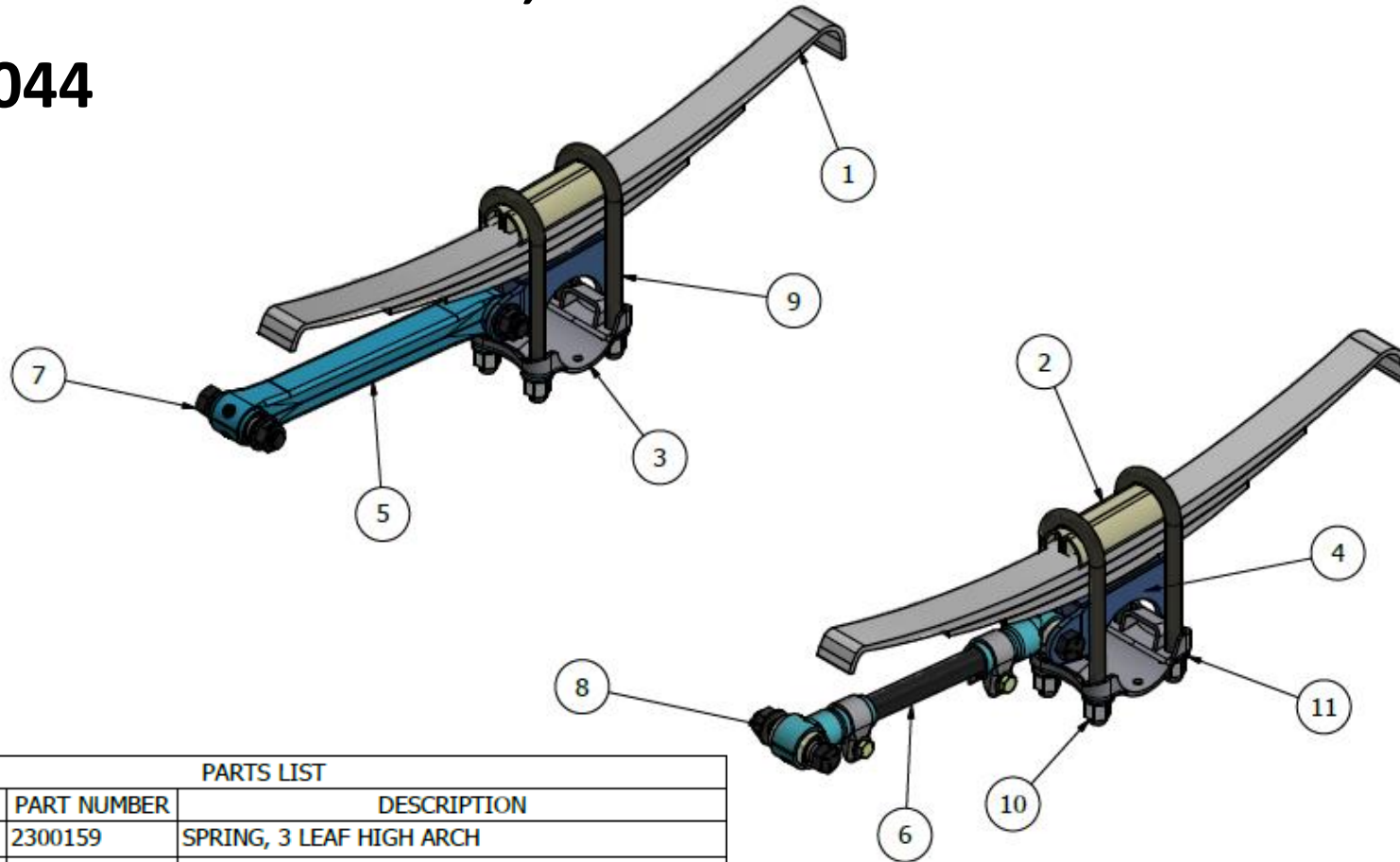
PARTS LIST			
ITEM	QTY	PART NUMBER	DESCRIPTION
1	1	2200350	AXLE BEAM, BARE
2	2	2200120	AXLE SEAT, 1 3/4"
3	2	7004521	BRACKET, AIR LINE
4+5	2	2201996	HUB/ROTOR (PRESET PLUS)
6	2	2200410	SKF HUB CAP
7	1	2202030	PAD KIT WITH HARDWARE
8	1	2202020	CALIPER, RS - LOADED
9	1	2202021	CALIPER, CS - LOADED
10	1	2202000	SPRING BRAKE CHAMBER, RS
11	1	2202001	SPRING BRAKE CHAMBER, CS





# SUSPENSION ASSEMBLY, 28'

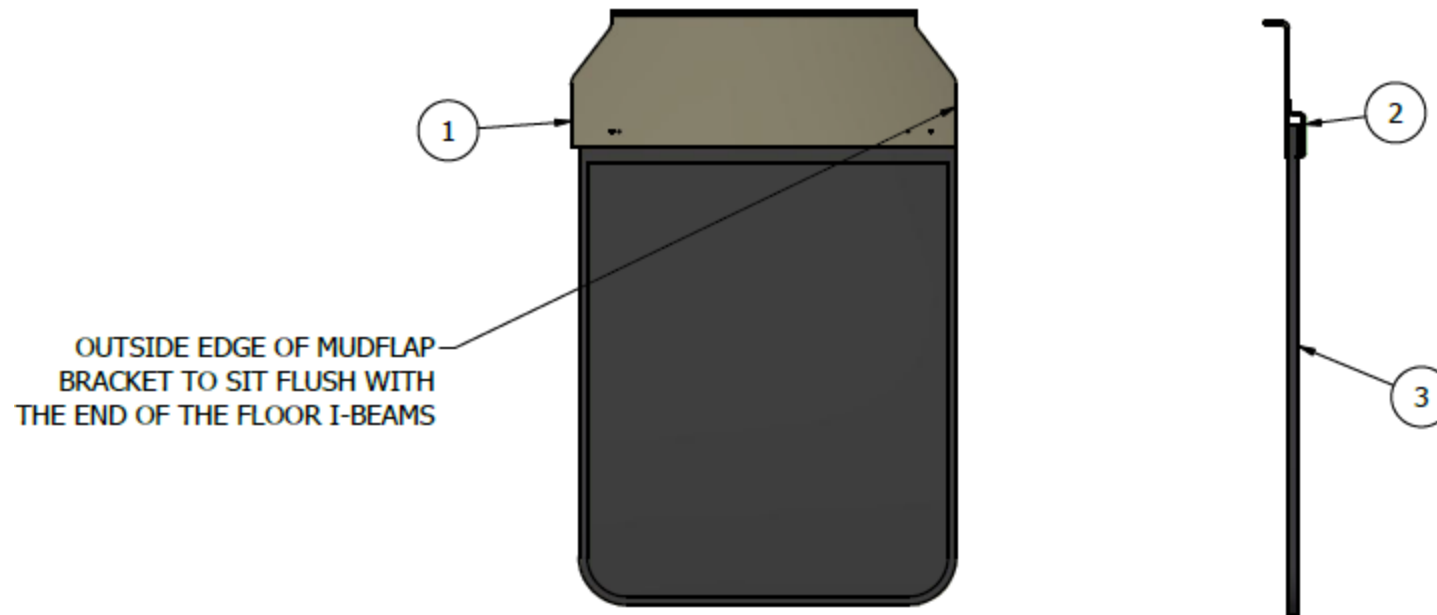
## 230M044



PARTS LIST			
ITEM	QTY	PART NUMBER	DESCRIPTION
1	2	2300159	SPRING, 3 LEAF HIGH ARCH
2	2	2300165	PLATE, TOP
3	2	2300119	PLATE, BOTTOM
4	2	2300120	AXLE SEAT
5	2	2300107	TORQUE ARM, NON-ADJUSTABLE
6	2	2300151	TORQUE ARM, ADJUSTABLE
7	4	6000951	BOLT, 1"-14 x 5" GRADE 5
8	4	6100951	NUT, 1"-14 FLANGE LOCK
9	4	2300904	U-BOLT, 5" ROUND 12 1/4"
10	8	6100876	NUT, 7/8-14 HIGH 2B
11	8	6200938	WASHER, 7/8" FLAT HARDENED

# MUDFLAP ASSEMBLY, 28'

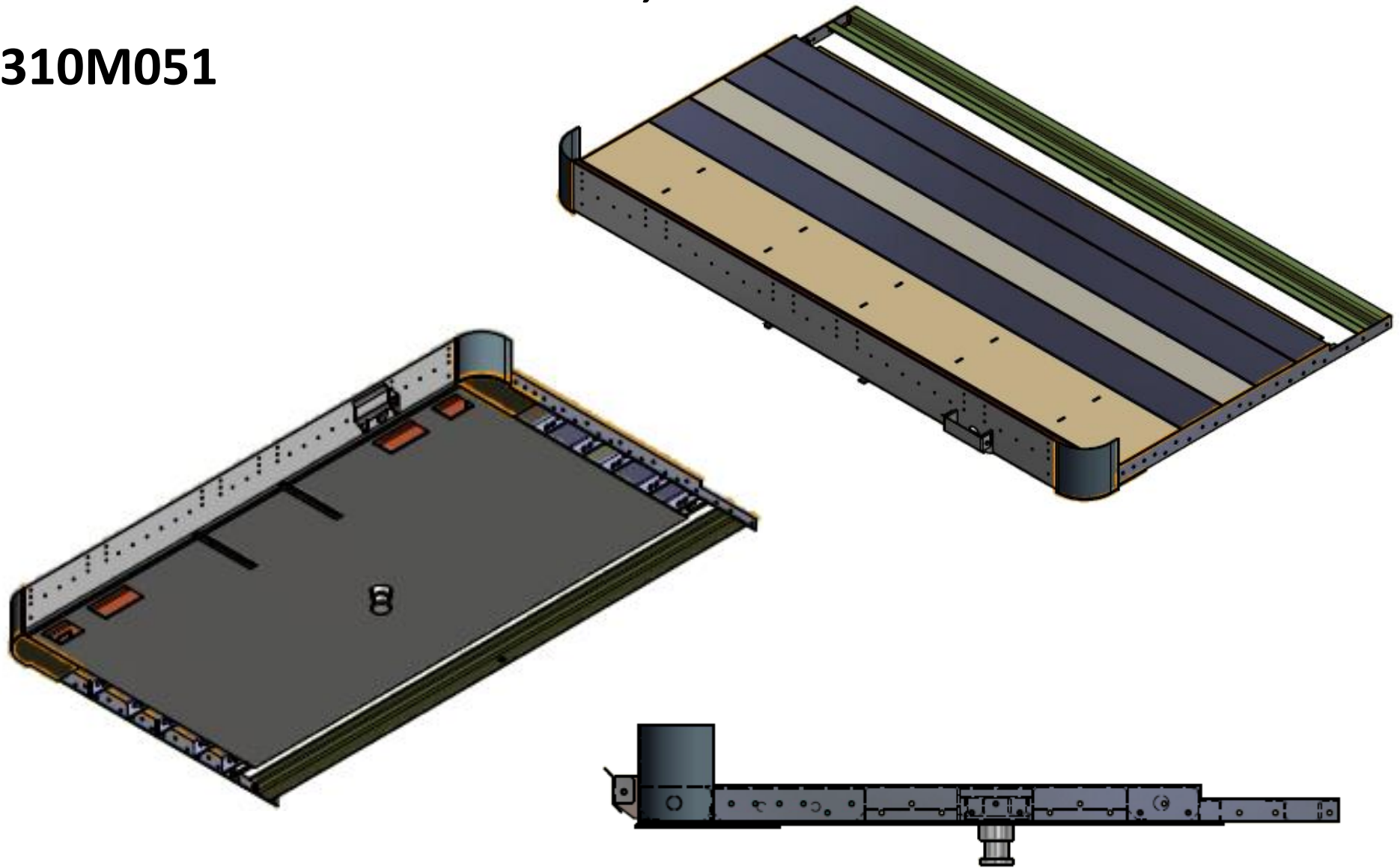
## 240M035



PARTS LIST			
ITEM	QTY	PART NUMBER	DESCRIPTION
1	2	2400270	C/S MUD FLAP MOUNTING BRACKET
2	2	2400272	UNIVERSAL MUD FLAP BRACKET
3	1	240N217	MUD FLAP ASSEMBLY

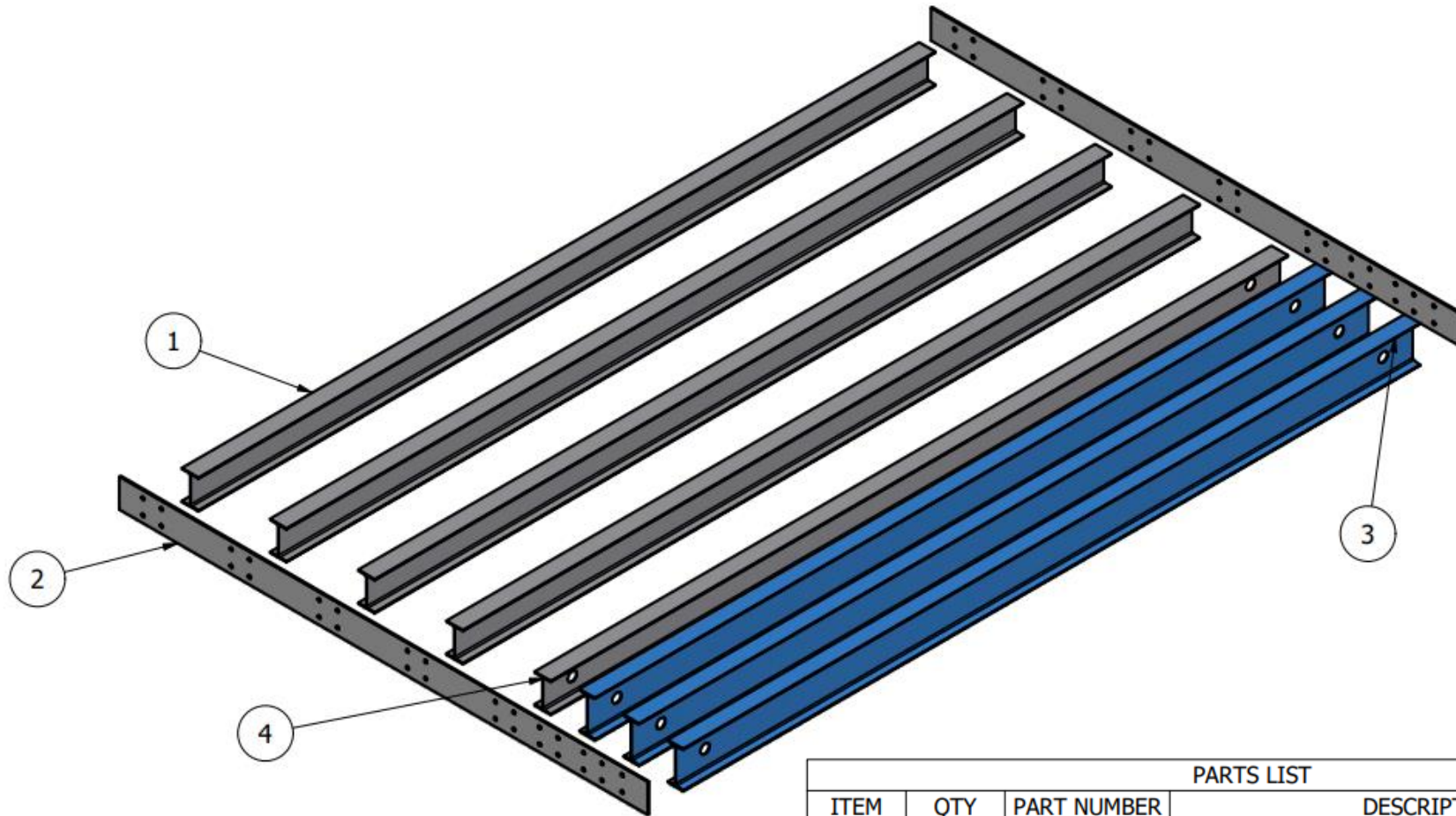
# UPPER COUPLER ASSEMBLY, 28'

310M051



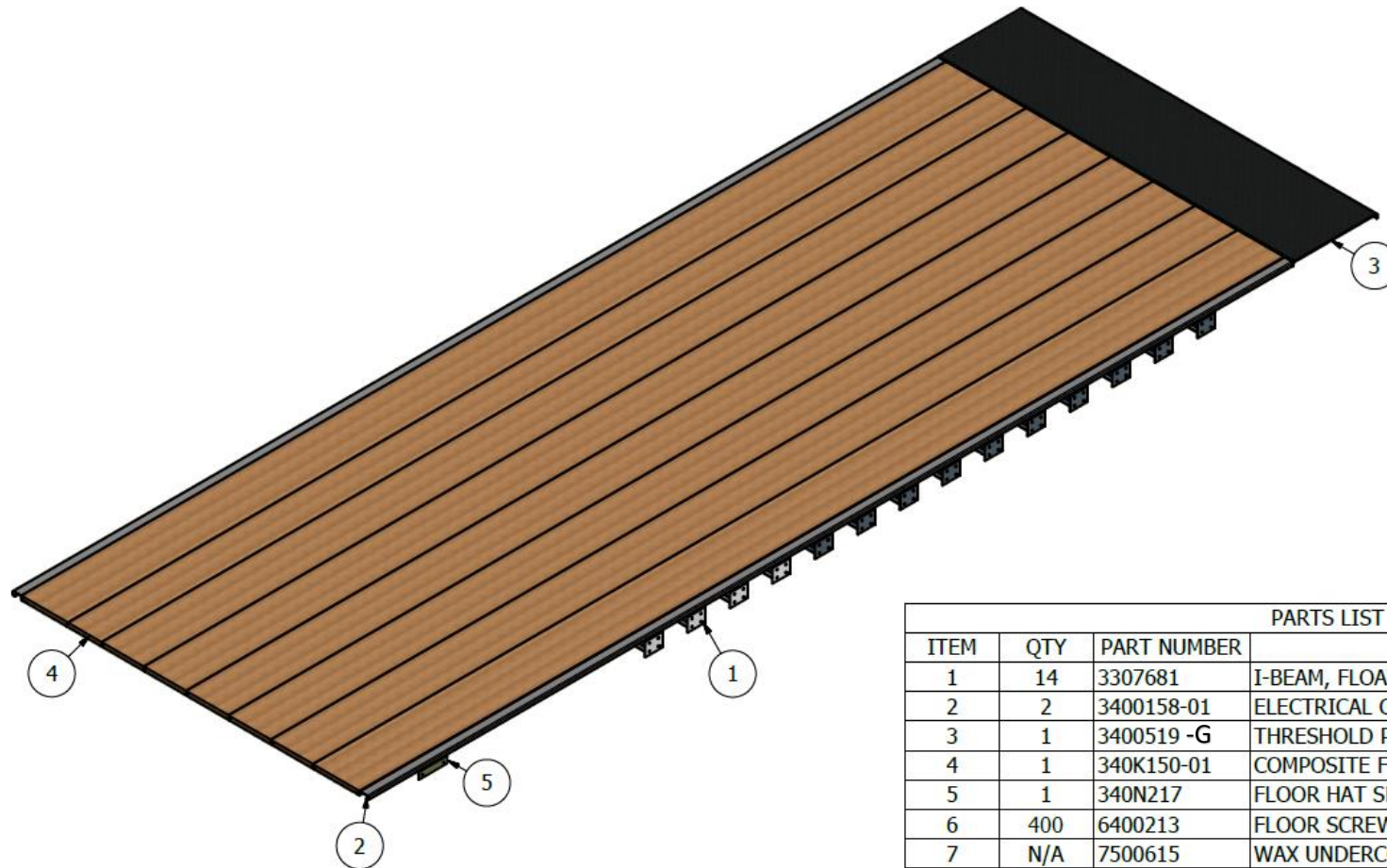
# BOGIE SUBFRAME EXTENDED SIDEPLATE ASSEMBLY

## 330M052



PARTS LIST			
ITEM	QTY	PART NUMBER	DESCRIPTION
	1	330M052	BOGIE SUBFRAME EXTENDED SIDEPLATE ASSY
1	4	3307680	I-BEAM, 4" x 100 3/8" 80 KSI
2	2	3300035	BOGIE SUB-FRAME SIDE PLATE
3	3	3307684	I-BEAM, 5" x 100 3/8", 80 KSI
4	1	3307683	I-BEAM, 4" x 100 3/8" 80 KSI

# FLOOR ASSEMBLY, 28'

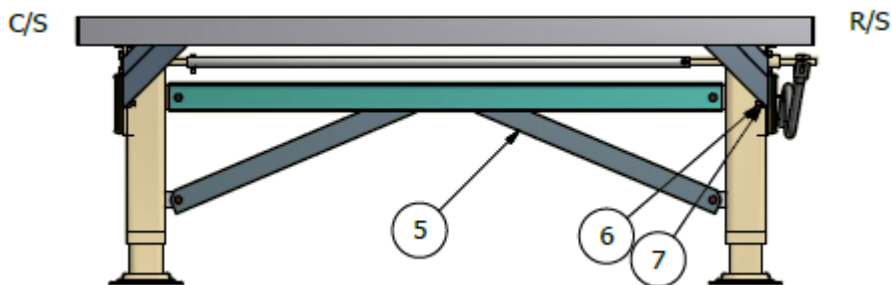
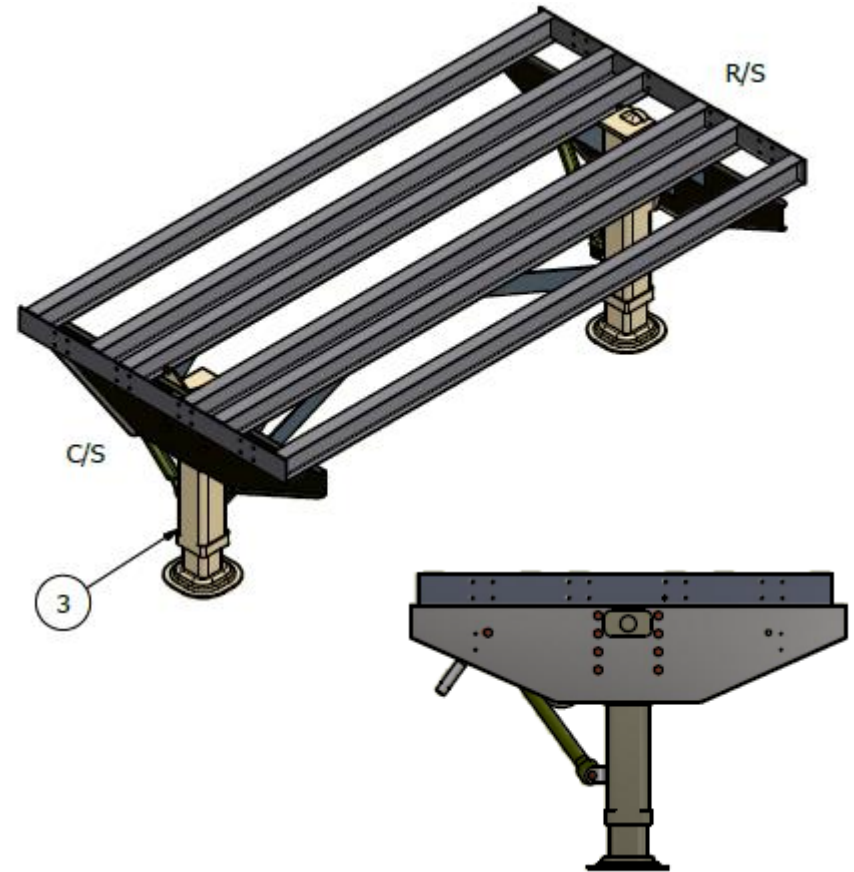
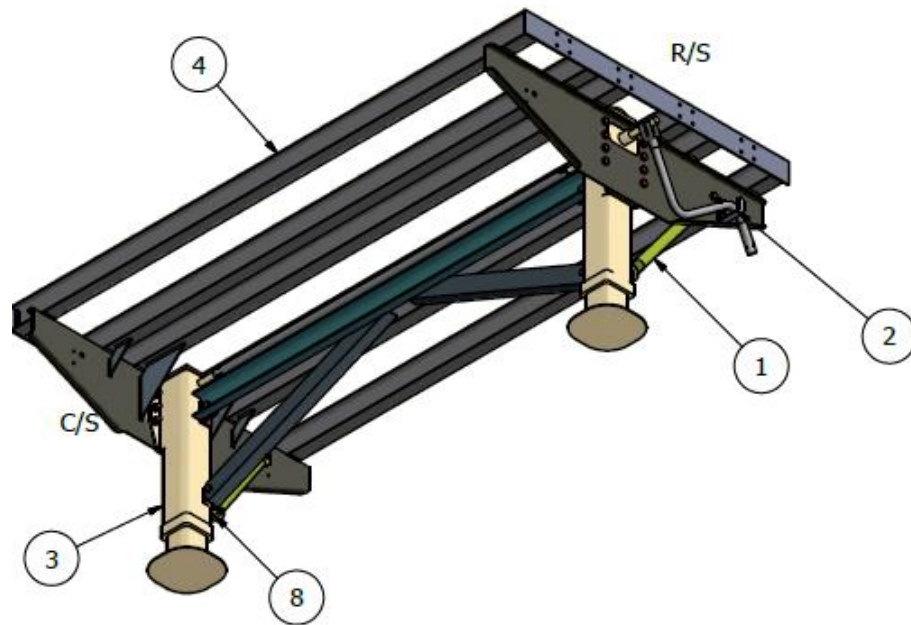


PARTS LIST			
ITEM	QTY	PART NUMBER	DESCRIPTION
1	14	3307681	I-BEAM, FLOATER W/CLIPS & WAXED
2	2	3400158-01	ELECTRICAL CHANNEL
3	1	3400519 -G	THRESHOLD PLATE
4	1	340K150-01	COMPOSITE FLOOR KIT
5	1	340N217	FLOOR HAT SECTION ASSEMBLY
6	400	6400213	FLOOR SCREW, 5/16-18 x 2" FLAT TORX HEAD
7	N/A	7500615	WAX UNDERCOAT, BLACK



# LANDING LEG ASSEMBLY

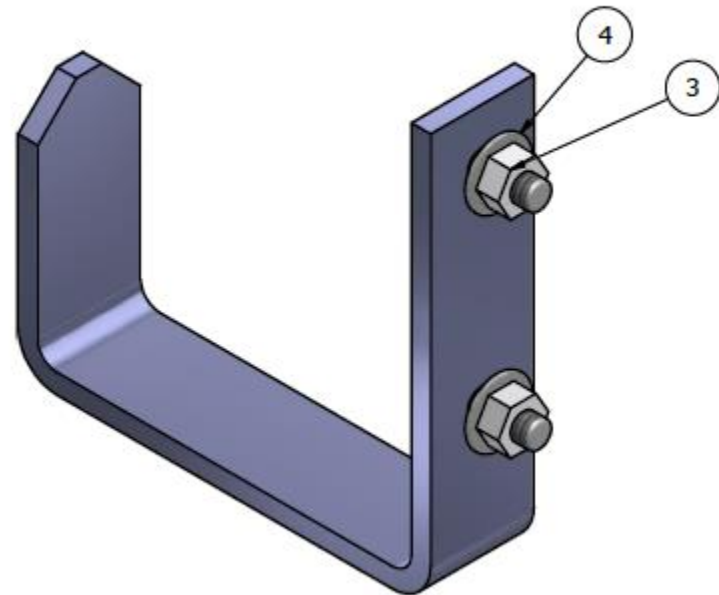
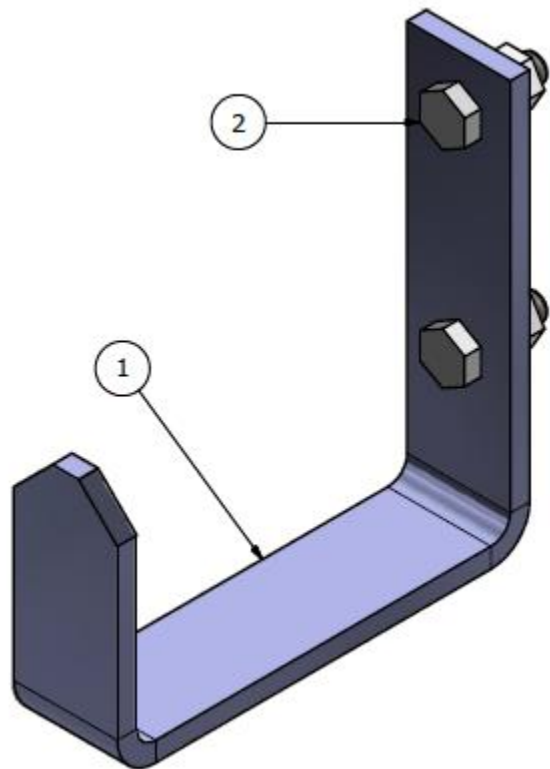
## 350M041



PARTS LIST			
ITEM	QTY	PART NUMBER	DESCRIPTION
1	2	3507232	REAR L.L. STRUT
2	1	350N045	CRANK HANDLE HOLDER
3	1	350N046	LANDING LEG ASSEMBLY
4	1	350N047	LANDING LEG SKIRT ASSEMBLY
5	1	350N049 -G	K-BRACE ASSEMBLY
6	24	6000627	BOLT, 5/8-18 x 1 3/4
7	24	6100626	NUT, 5/8-18 PINCH LOCK GRADE 5 PLATED
8	4	6200626	WASHER, 5/8 FLAT USS PLATED

# CRANK HANDLE HOLDER ASSEMBLY

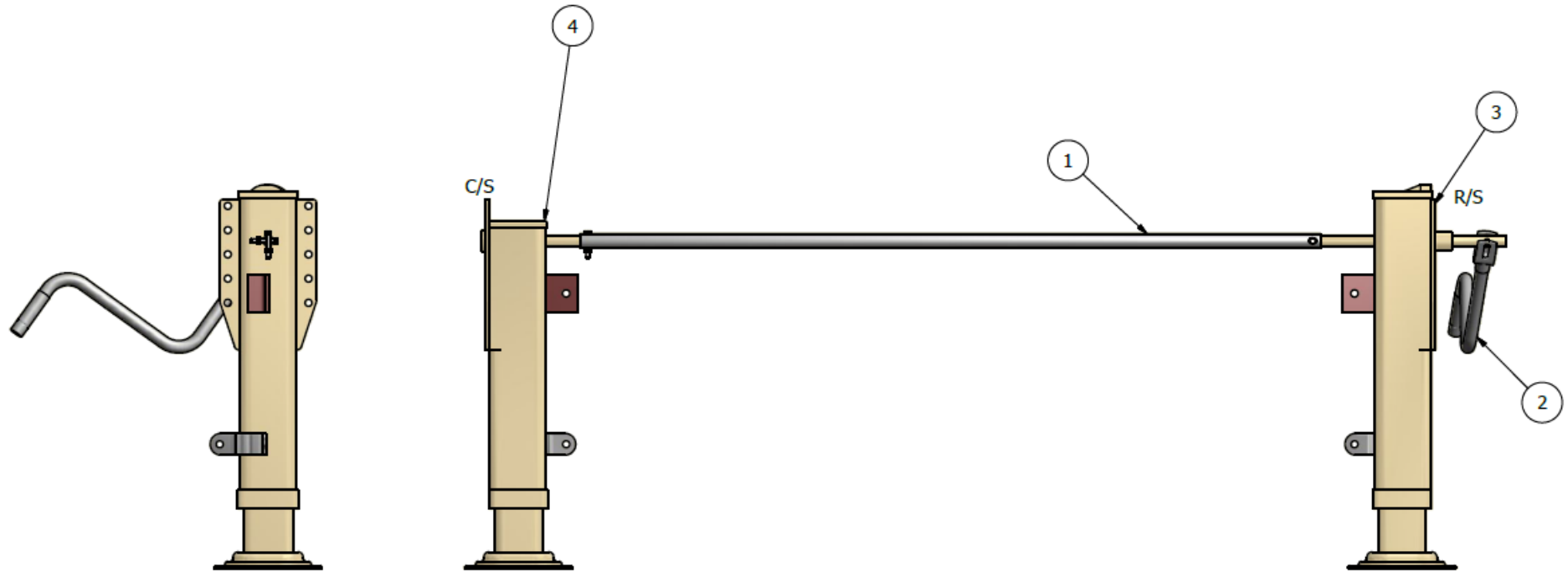
## 350N045



PARTS LIST			
ITEM	QTY	PART NUMBER	DESCRIPTION
1	1	3500559 -G	HOLDER, CRANK HANDLE
2	2	6000275	BOLT, 1/4 - 20 x 3/4" GRADE 8 PLATED
3	2	6100258	NUT, 1/4 - 20 LOCK
4	2	6200252	WASHER, 1/4" SAE FLAT PLATED

# LANDING LEG ASSEMBLY

## 350N046

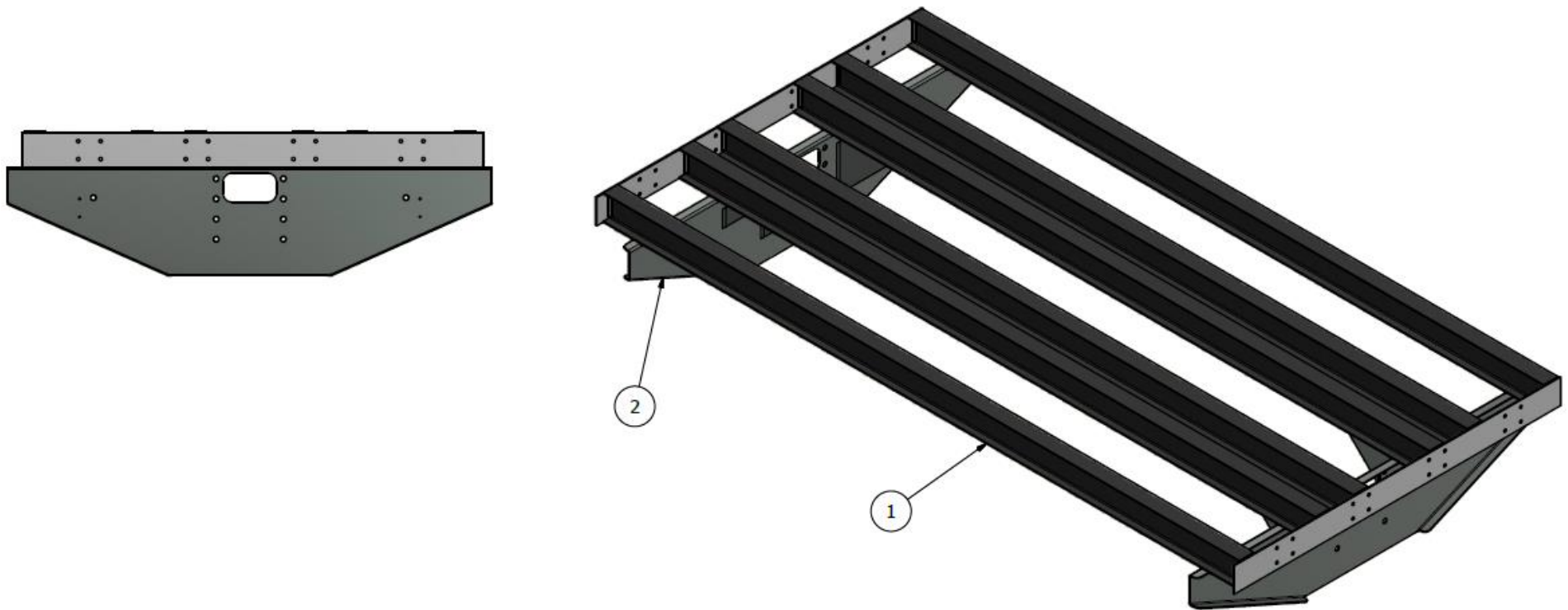


PARTS LIST			
ITEM	QTY	PART NUMBER	DESCRIPTION
1	1	3500140	CROSS SHAFT, LANDING LEG, 68.75"
2	1	3500148	LANDING LEG CRANK HANDLE
3	1	3500564	MASTER LANDING LEG, INBOARD
4	1	3500565	SLAVE LANDING LEG, INBOARD



# LANDING LEG SKIRT ASSEMBLY

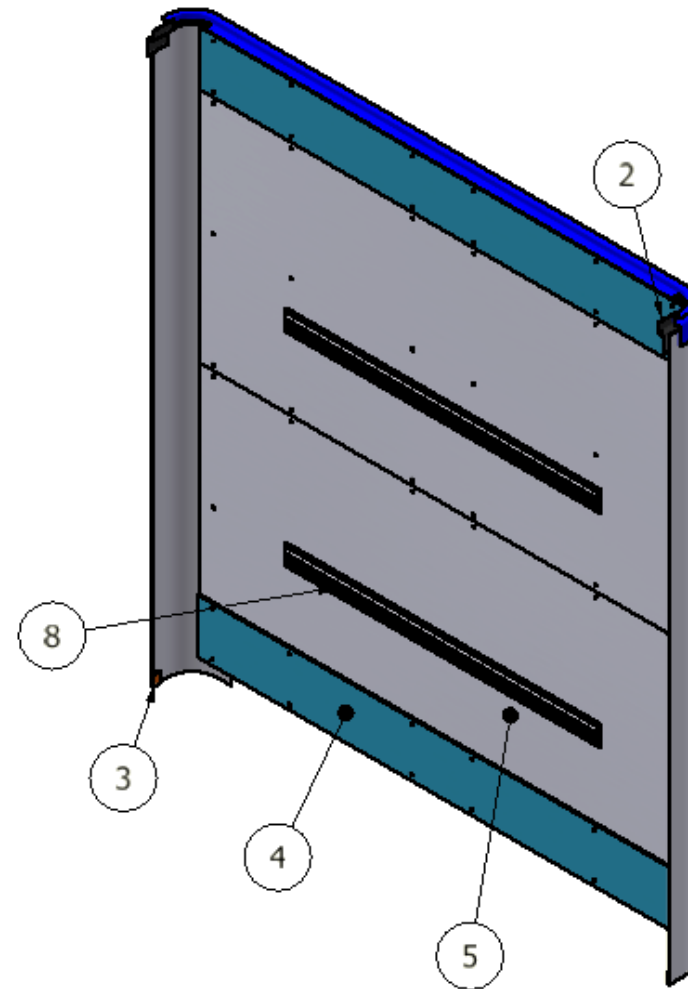
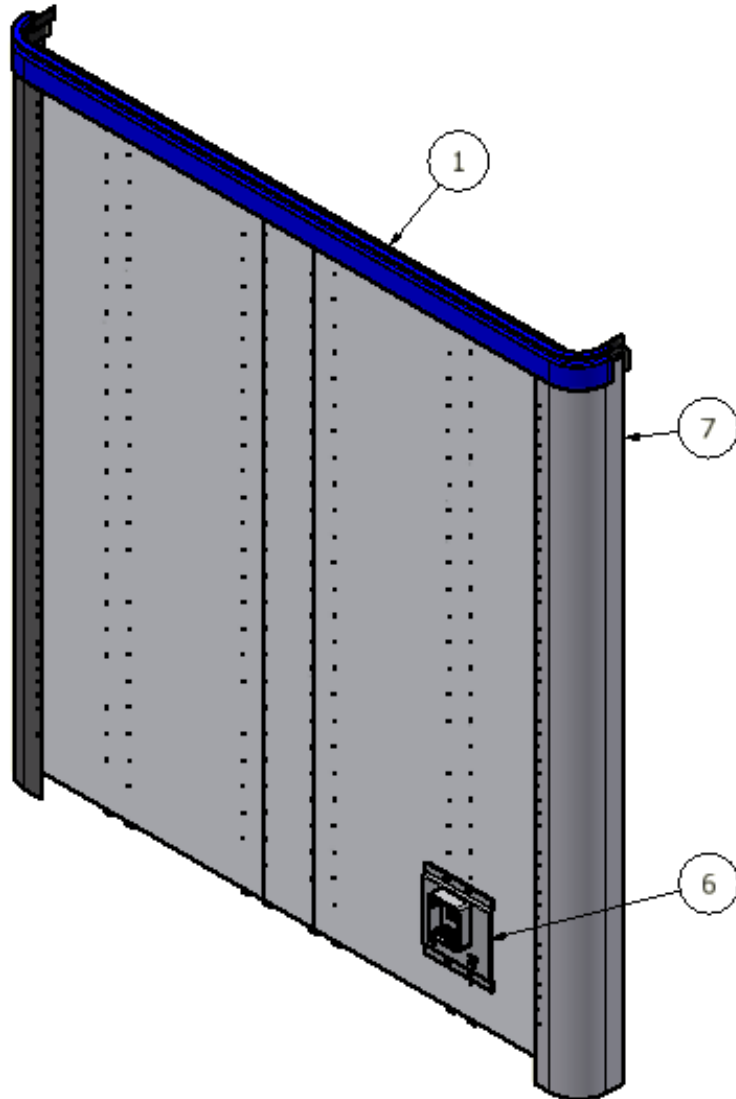
## 350N047



PARTS LIST			
ITEM	QTY	PART NUMBER	DESCRIPTION
1	1	320N041	L.L. CROSS MEMBER ASSEMBLY
2	2	350N048 -G	L.L. SKIRT SUB-ASSEMBLY

# FORWARD WALL ASSEMBLY, 28'

## 410M126

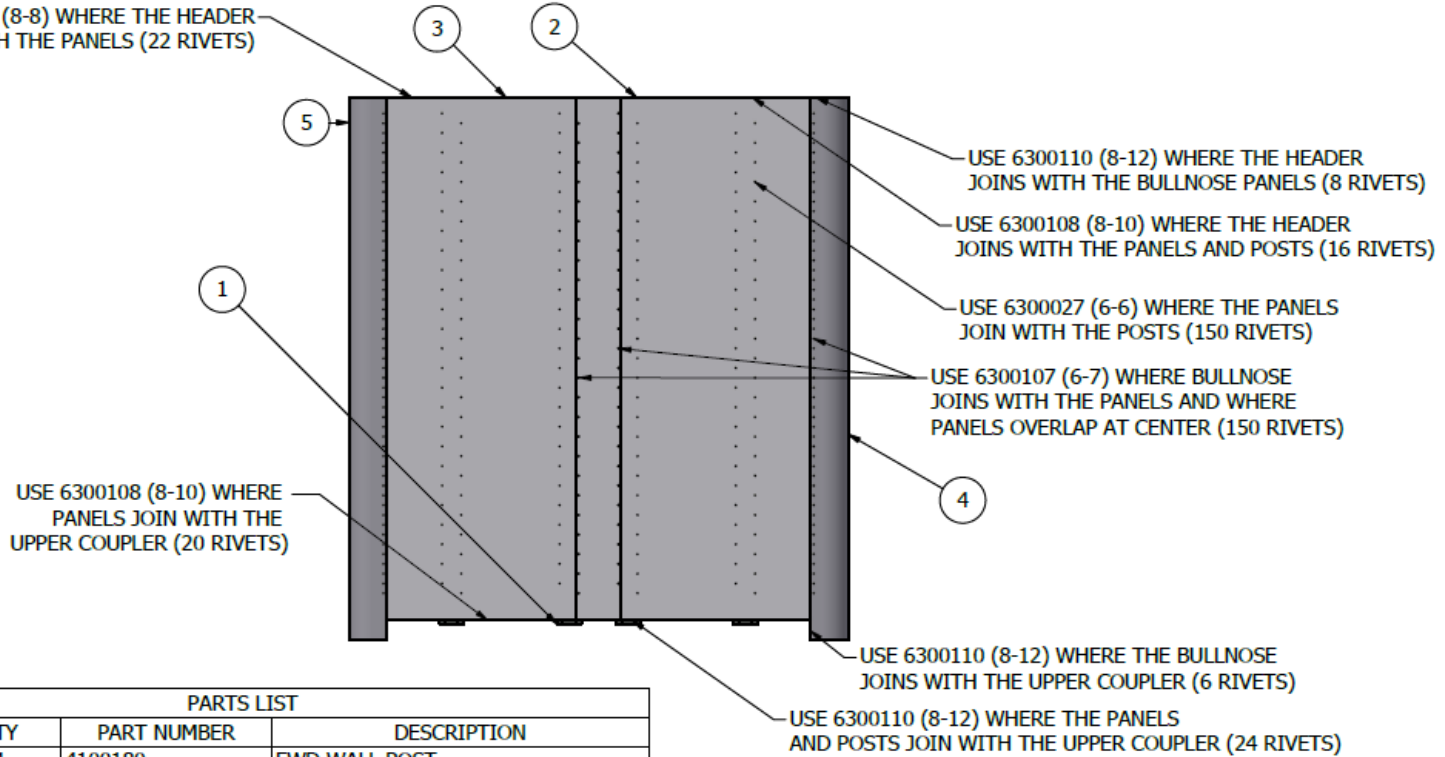


PARTS LIST			
ITEM	QTY	PART NUMBER	DESCRIPTION
1	1	4100129	FWD WALL HEADER
2	2	4100407	UPPER RAIL SUPPORT
3	2	4100430	BULLNOSE SHIM
4	1	410N144	FORWARD WALL SCUFF LINER
5	1	410N146	FWD WALL LINER - 28'
6	1	410N149	AIR KIT PLATE ASSEMBLY
7	1	410N150	FWD WALL PANEL ASSY - 28'
8	1	410N151	HORIZONTAL TRACK ASSEMBLY

# FWD WALL PANEL ASSY, 28'

## 410N150

USE 6300112 (8-8) WHERE THE HEADER JOINS WITH THE PANELS (22 RIVETS)



USE 6300108 (8-10) WHERE PANELS JOIN WITH THE UPPER COUPLER (20 RIVETS)

USE 6300110 (8-12) WHERE THE HEADER JOINS WITH THE BULLNOSE PANELS (8 RIVETS)

USE 6300108 (8-10) WHERE THE HEADER JOINS WITH THE PANELS AND POSTS (16 RIVETS)

USE 6300027 (6-6) WHERE THE PANELS JOIN WITH THE POSTS (150 RIVETS)

USE 6300107 (6-7) WHERE BULLNOSE JOINS WITH THE PANELS AND WHERE PANELS OVERLAP AT CENTER (150 RIVETS)

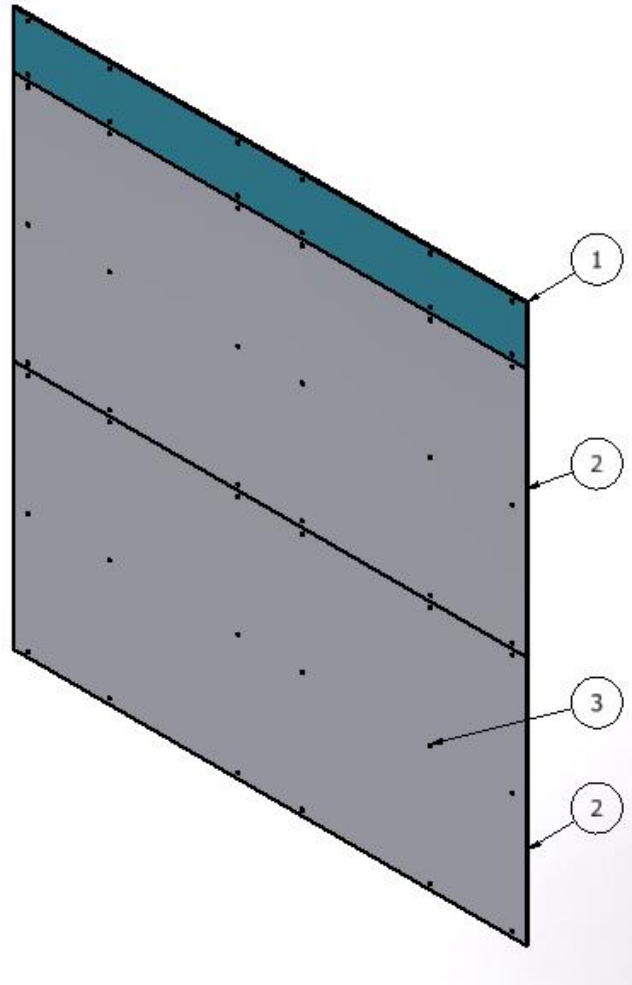
USE 6300110 (8-12) WHERE THE BULLNOSE JOINS WITH THE UPPER COUPLER (6 RIVETS)

USE 6300110 (8-12) WHERE THE PANELS AND POSTS JOIN WITH THE UPPER COUPLER (24 RIVETS)

PARTS LIST			
ITEM	QTY	PART NUMBER	DESCRIPTION
1	4	4100180	FWD WALL POST
2	1	4100550	FORWARD WALL PANEL - R/S
3	1	4100551	FORWARD WALL PANEL - C/S
4	1	4100552	BULLNOSE EXTRUSION - R/S
5	1	4100553	BULLNOSE EXTRUSION - C/S
6	2	6000363	BOLT, 3/8"-16 x 1 1/4"
7	2	6000364	BOLT, 3/8"-16 x 1 3/4"
8	4	6100377	NUT, 3/8"-16
9	0.290 lb	6300027	RIVET, SOLID - AN455AD 6-6
10	0.313 lb	6300107	RIVET, SOLID - AN455AD 6-7
11	0.185 lb	6300108	RIVET, SOLID - AN455AD 8-10
12	0.219 lb	6300110	RIVET, SOLID - AN455AD 8-12
13	0.099 lb	6300112	RIVET, SOLID - AN455AD 8-8

# FORWARD WALL LINER ASSEMBLY, 28'

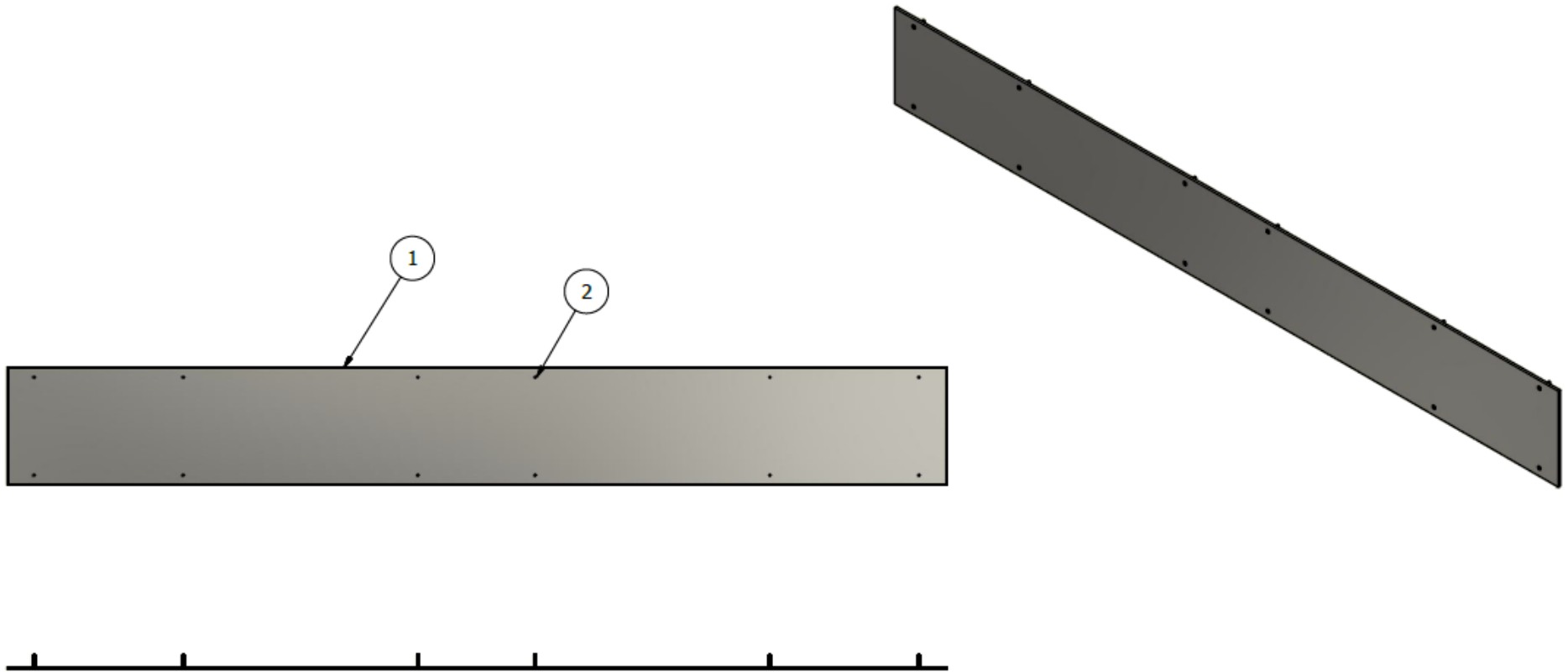
410N146



ITEM	QTY	PART NUMBER	DESCRIPTION
1	1	4100064	FORWARD WALL KICK PLATE
2	2	4100065	FORWARD WALL LINER
3	48	6400207	SCREW, 1/4-20 x 1" TORX HEAD, COUNTERSUNK

# FORWARD WALL SCUFF LINER

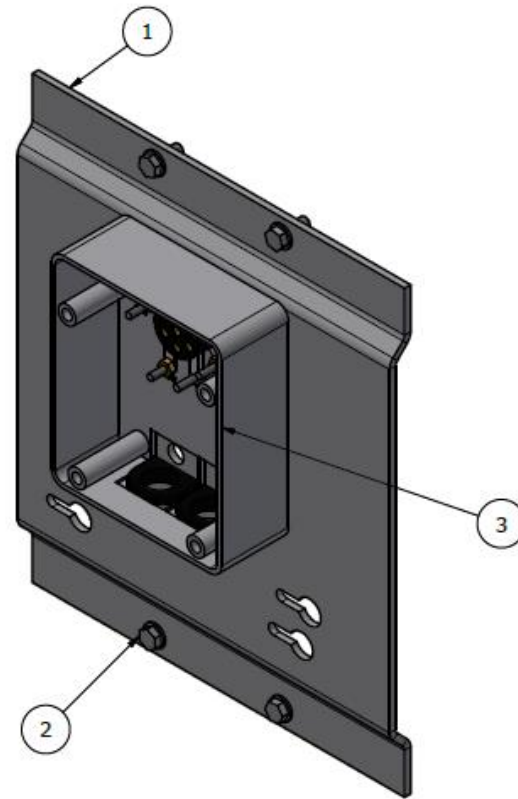
## 410N144



PARTS LIST			
ITEM	QTY	PART NUMBER	DESCRIPTION
1	1	4100064	FORWARD WALL KICK PLATE
2	12	6400214	SCREW, 1/4-20 x 1 1/2" FLOOR TORX HEAD

# AIR KIT PLATE ASSEMBLY

## 410N149

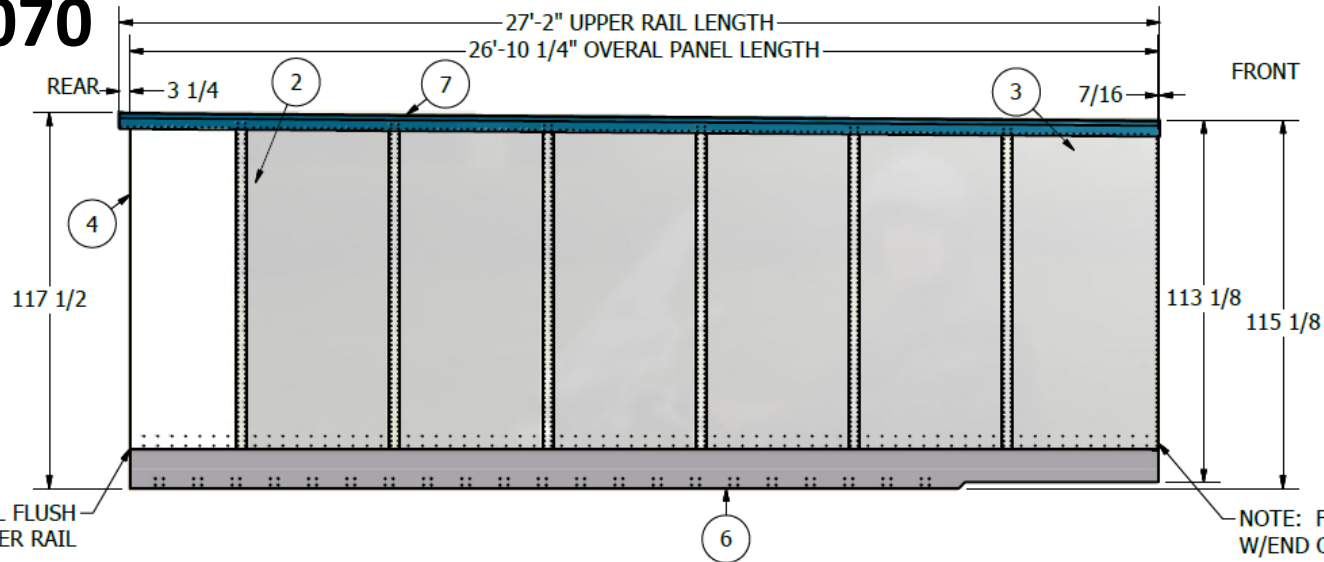


PARTS LIST			
ITEM	QTY	PART NUMBER	DESCRIPTION
1	1	4100700	AIR KIT PLATE
2	4	6000312	5/16"-18 x 3/4" ROLOC SELF TAPPING SCREW
3	1	8000943	7-WAY SMART BOX (PART OF 800N344)

# C/S SIDEWALL ASSEMBLY, 28' NATURAL INNER SURFACE

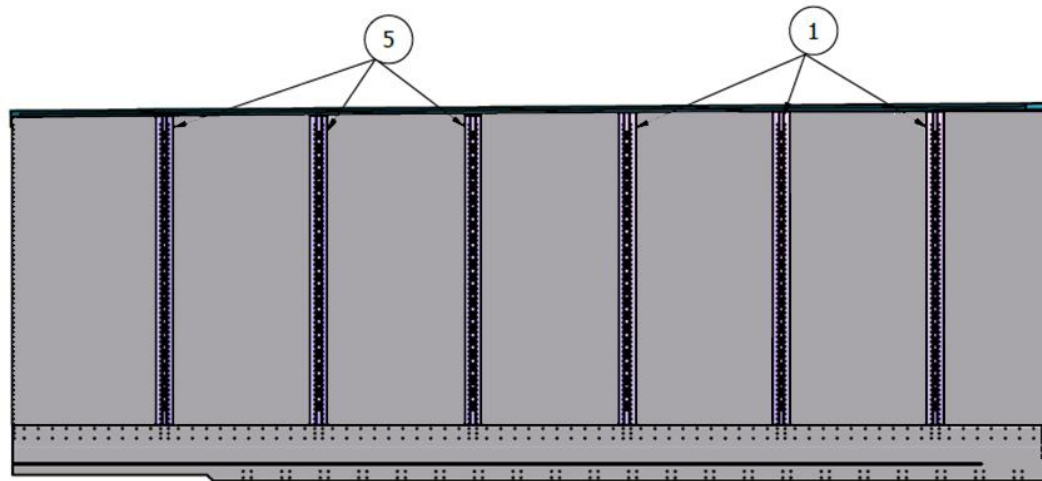
## 421N070

NOTE: OUTSIDE OF WALL SHOWN



NOTE: REAR PANEL FLUSH W/END OF LOWER RAIL

NOTE: FRONT PANEL FUSH W/END OF LOWER RAIL



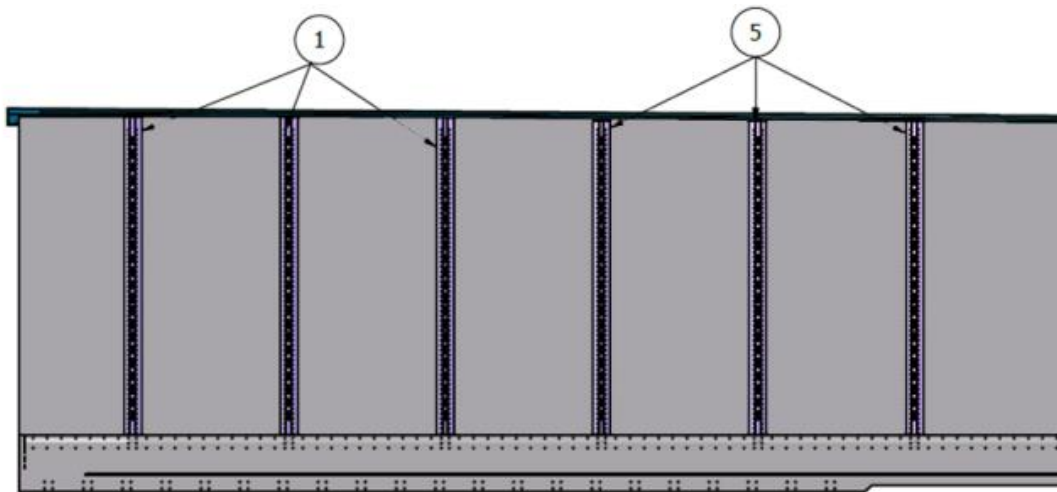
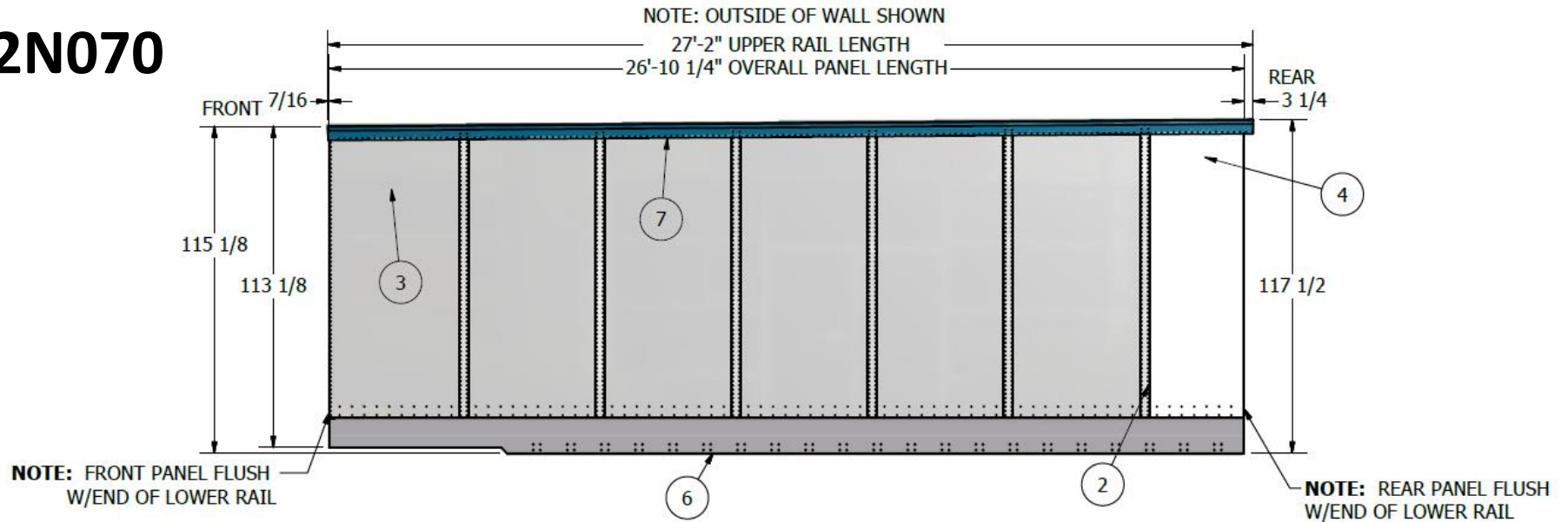
NOTE: INSIDE OF WALL SHOWN

PARTS LIST			
ITEM	QTY	PART NUMBER	DESCRIPTION
1	3	4201116	LOGISTIC SIDEWALL POST
2	6	4201118	OUTER STRIP, PUNCHED
3	6	4201186	COMPOSITE SIDEWALL PANEL
4	1	4201188	REAR SIDEWALL PANEL
5	3	4201216	LOGISTIC SIDEWALL POST
6	1	4202012	LOWER RAIL, C/S
7	1	4203012	28' UPPER RAIL - C/S
8	93	6000352	PIN, HUCK C6LB-R12-6GA ZINC
9	18	6000363	BOLT, 3/8-16 x 1-1/4 TORX
10	93	6100352	COLLAR, HUCK - GALVANIZED
11	18	6100377	NUT, 3/8-16 NYLOK PLATED
12	0.21 lb	6300097	RIVET, SOLID - AN455AD 8-16
13	0.04 lb	6300098	RIVET, SOLID - AN455AD 8-18
14	3.88 lb	6300108	RIVET, SOLID - AN455AD 8-10
15	1.42 lb	6300110	RIVET, SOLID - AN455AD 8-12
16	1.16 lb	6300129	RIVET, SOLID - AN455AD 8-14



# R/S SIDEWALL ASSEMBLY, 28' NATURAL INNER SURFACE

## 422N070



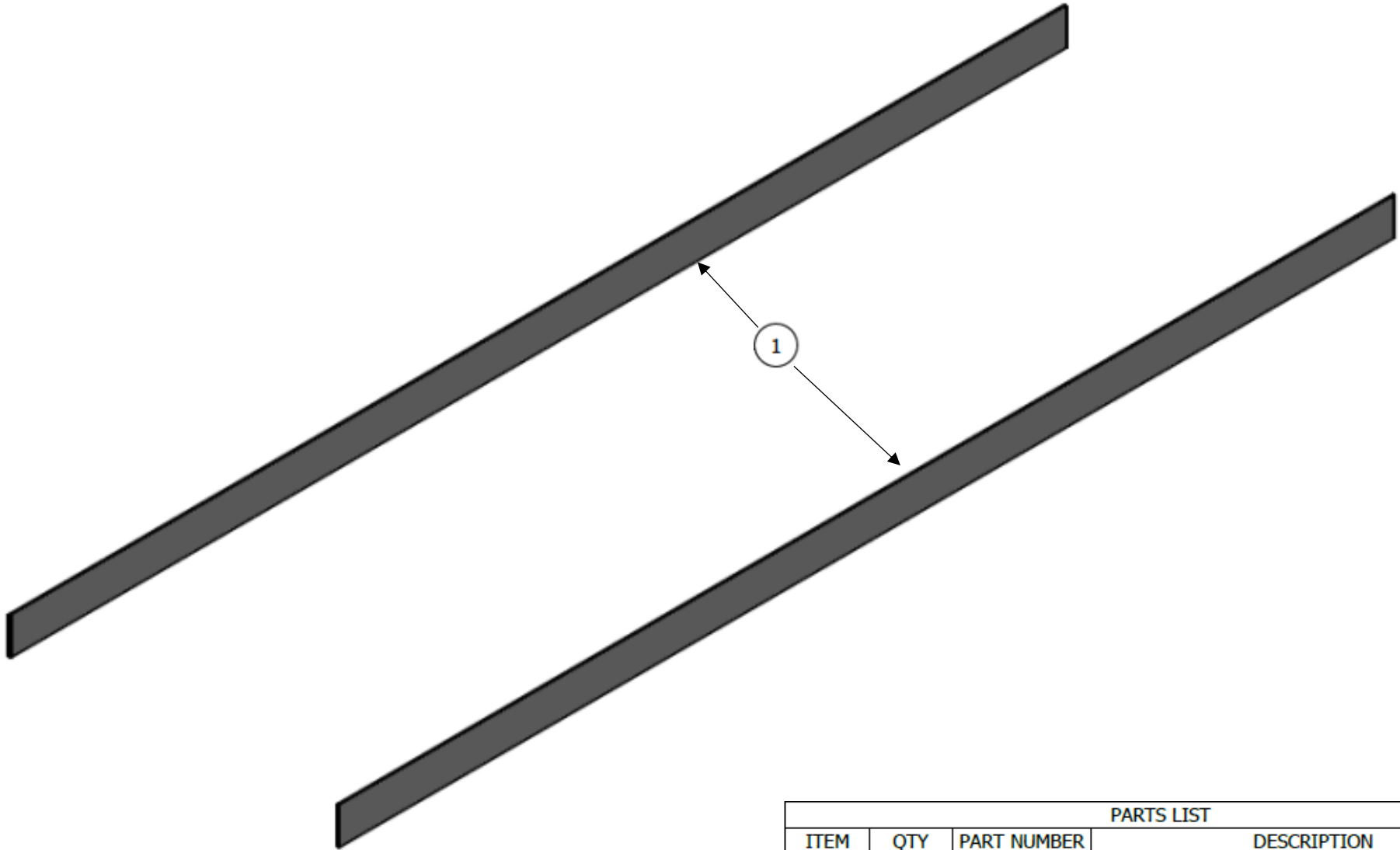
NOTE: INSIDE OF WALL SHOWN

PARTS LIST			
ITEM	QTY	PART NUMBER	DESCRIPTION
1	3	4201116	LOGISTIC SIDEWALL POST
2	6	4201118	OUTER STRIP, PUNCHED
3	6	4201186	COMPOSITE SIDEWALL PANEL
4	1	4201188	REAR SIDEWALL PANEL
5	3	4201216	LOGISTIC SIDEWALL POST
6	1	4202011	LOWER RAIL, R/S
7	1	4203011	28' UPPER RAIL - R/S
8	93	6000352	PIN, HUCK C6LB-R12-6GA ZINC
9	18	6000363	BOLT, 3/8-16 x 1-1/4 TORX
10	93	6100352	COLLAR, HUCK - GALVANIZED
11	18	6100377	NUT, 3/8-16 NYLOK PLATED
12	0.21 lb	6300097	RIVET, SOLID - AN455AD 8-16
13	0.04 lb	6300098	RIVET, SOLID - AN455AD 8-18
14	3.88 lb	6300108	RIVET, SOLID - AN455AD 8-10
15	1.42 lb	6300110	RIVET, SOLID - AN455AD 8-12
16	1.16 lb	6300129	RIVET, SOLID - AN455AD 8-14



# SIDEWALL SCUFF LINER ASSEMBLY, LTL28'

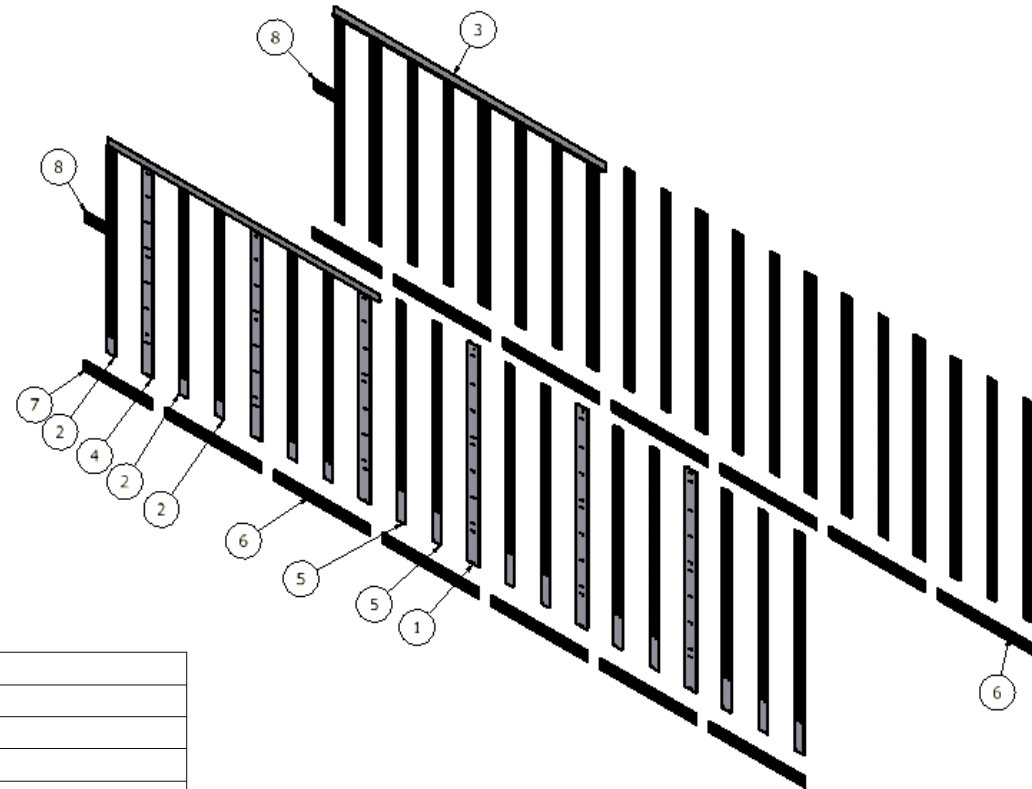
420N330



PARTS LIST			
ITEM	QTY	PART NUMBER	DESCRIPTION
1	2	4200669	SCUFFBOARD, PLASTIC 12"
2	28	6000411	PIN, HUCKTAINER - 18 WHITE
3	28	6000412	PIN, HUCKTAINER - 14 NATURAL
4	56	6100411	COLLAR, HUCKTAINER - MEDIUM

# ANCRA LIFT-A-DECK, LTL28' EXTENDED TRACK

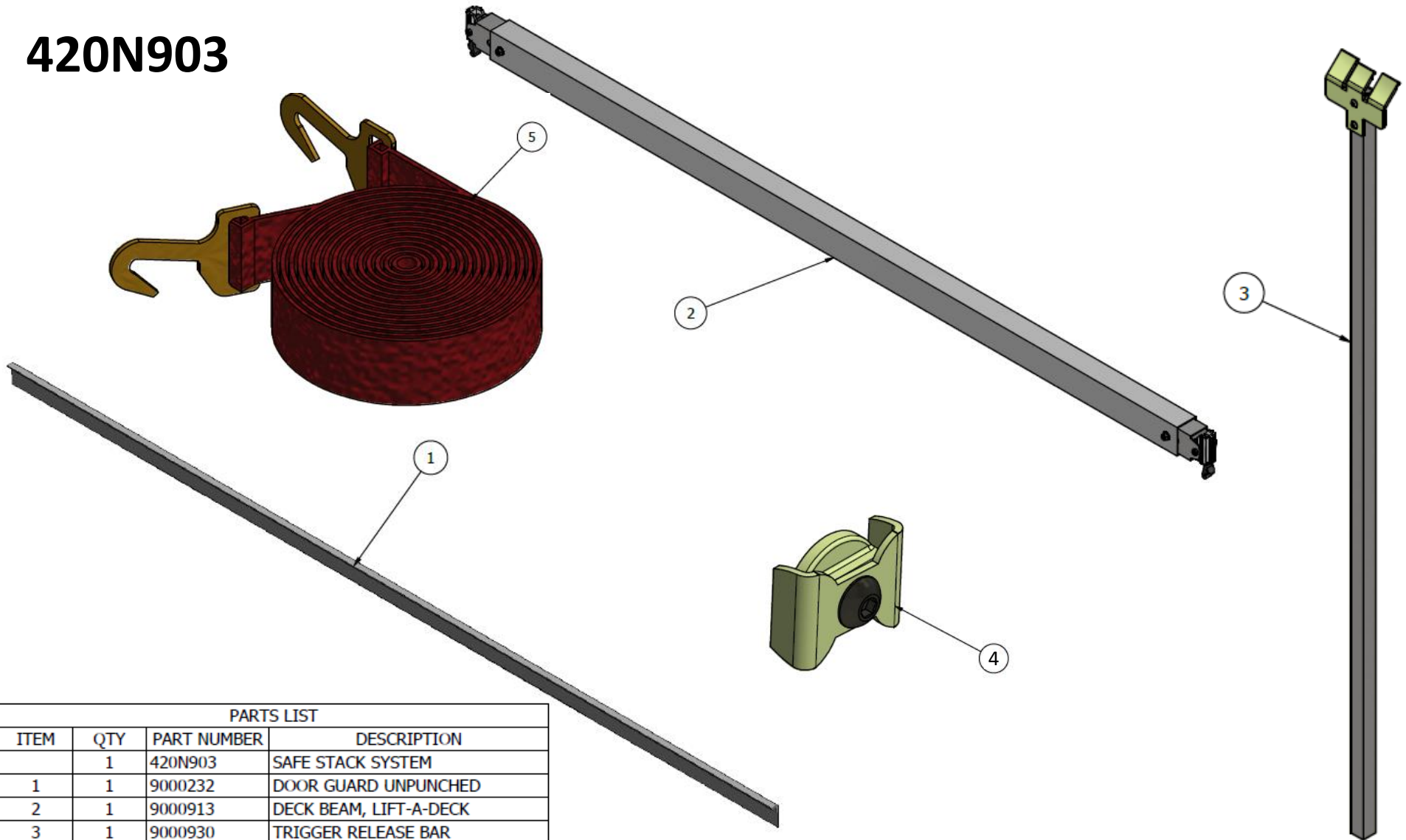
## 420N915



PARTS LIST			
ITEM	QTY	PART NUMBER	DESCRIPTION
1	6	9002248	ANCRA-84" DOUBLE TRACK
2	10	9002227	ANCRA 78.75" SINGLE TRACK
3	2	9000232	DOOR GUARD, UNPUNCHED
4	6	9002239	ANCRA 78.75" DOUBLE TRACK
5	18	9002236	ANCRA 84.00" SINGLE TRACK
6	12	9002220	HORIZONTAL TRACK, BOTTOM ROW
7	2	9002221	HORIZONTAL TRACK, BOTTOM REAR
8	2	9002222	STRAP HOLDER

# SAFE STACK SYSTEM

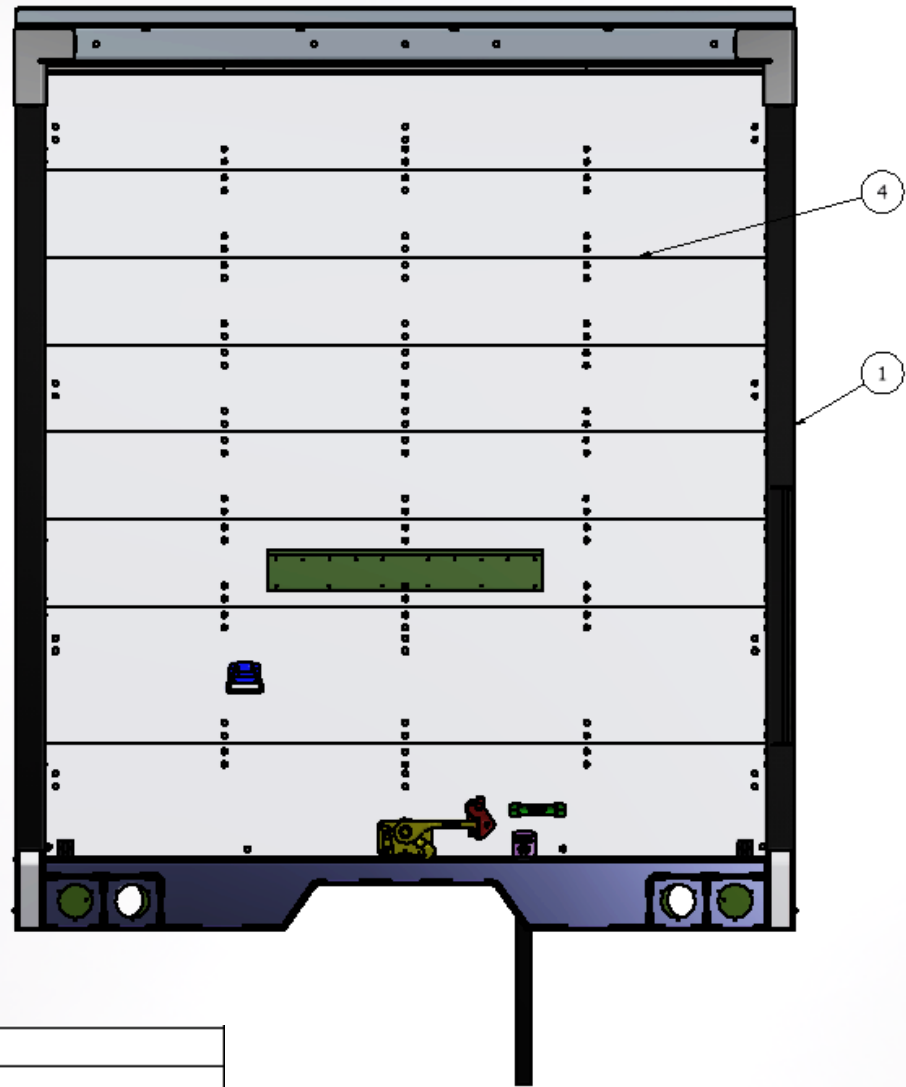
## 420N903



PARTS LIST			
ITEM	QTY	PART NUMBER	DESCRIPTION
	1	420N903	SAFE STACK SYSTEM
1	1	9000232	DOOR GUARD UNPUNCHED
2	1	9000913	DECK BEAM, LIFT-A-DECK
3	1	9000930	TRIGGER RELEASE BAR
4	1	9000931	BEAM STOP
5	1	9000932	CARGO STRAP

# ROLL UP DOOR ASSEMBLY

## 500M108

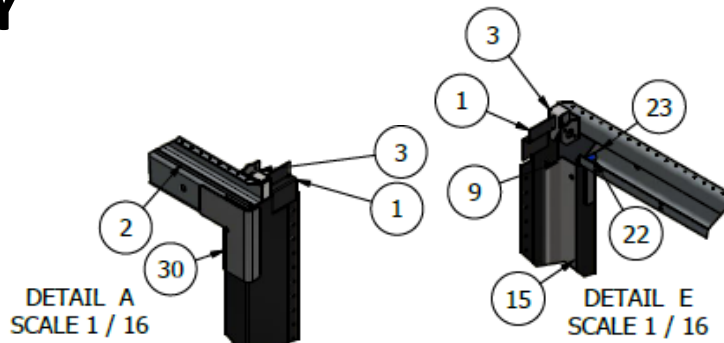
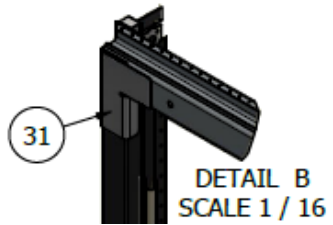


PARTS LIST

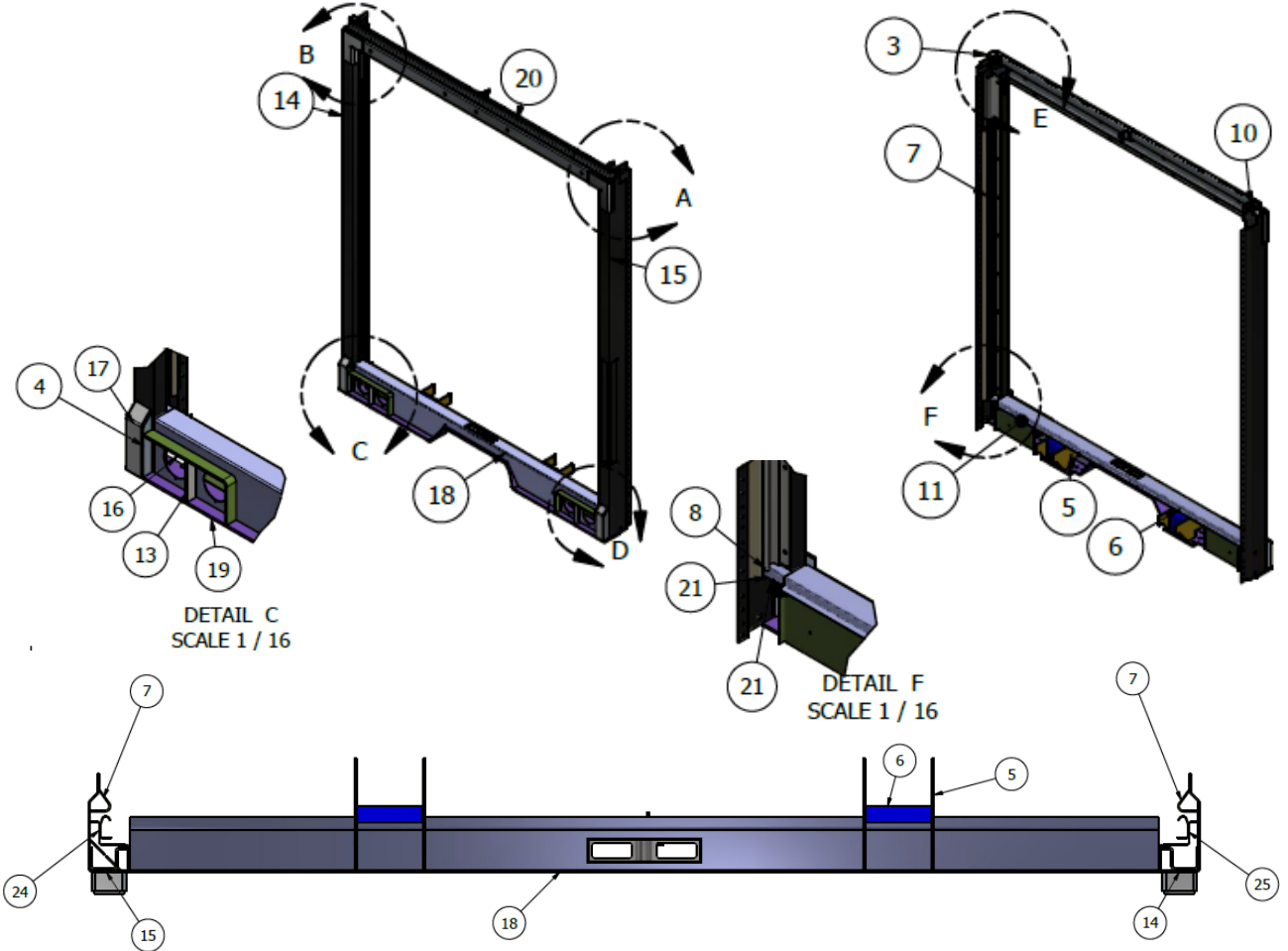
ITEM	QTY	PART NUMBER	DESCRIPTION
1	1	430M040 -G	DOOR FRAME ASSEMBLY
2	1	4300593 -G	DOOR FRAME GUSSET - C/S
3	1	4300594 -G	DOOR FRAME GUSSET - R/S
4	1	4300630	DOOR, ROLL-UP, 1/4" COMPOSITE

# DOOR FRAME ASSEMBLY

## 430M040-G



PARTS LIST			
ITEM	QTY	PART NUMBER	DESCRIPTION
1	2	4100407	SUPPORT, UPPER RAIL 53'
2	1	4300206	ANGLE, RAIN GUTTER - CARBON
3	1	4300564	C/S DOOR FRAME GUSSET
4	4	4300567	DOOR FRAME CORNER GUARD
5	4	4300570	BUMPER MOUNT GUSSET
6	2	4300571	BUMPR MOUNTING PLATE
7	2	4300582	DOOR TRACK GUARD
8	2	4300583	DOOR POST SPACER
9	2	4300584	FRONT CORNER GUSSET
10	1	4300590	R/S DOOR FRAME GUSSET
11	2	4300591	TAIL LIGHT COVER PLATE
12	2	4300598	DOOR POST REINFORCEMENT
13	2	4300632	TAIL LIGHT CENTER GUARD, HD
14	1	4300636 -G	R/S DOOR POST
15	1	4300637 -G	C/S DOOR POST
16	2	4300638	TAIL LIGHT GUARD, HD
17	2	4300639	DOOR FRAME REINFORCEMENT
18	1	4300642 -G	DOOR SILL - FORMED
19	1	4300643 -G	DOOR SILL SUPPORT PLATE
20	1	4300979 -G	DOOR HEADER
21	2	4300993	GUSSET, DOOR SILL FILLER
22	2	4306229	HEADER HARNESS PROTECTOR
23	2	4306236	REAR CORNER GUSSET
24	1	50403.013368	C/S VERTICAL TRACK
25	1	50403.023368	R/S VERTICAL TRACK
26	1	59314.1000	C/S SPRING BRACKET
27	1	59314.2000	R/S SPRING BRACKET
28	1	59317	CENTER SPRING BRACKET
29	1	70339	TODCO DOOR LATCH PLATE
30	1	9000025	C/S DOOR FRAME BRACKET
31	1	9000026	R/S DOOR FRAME BRACKET

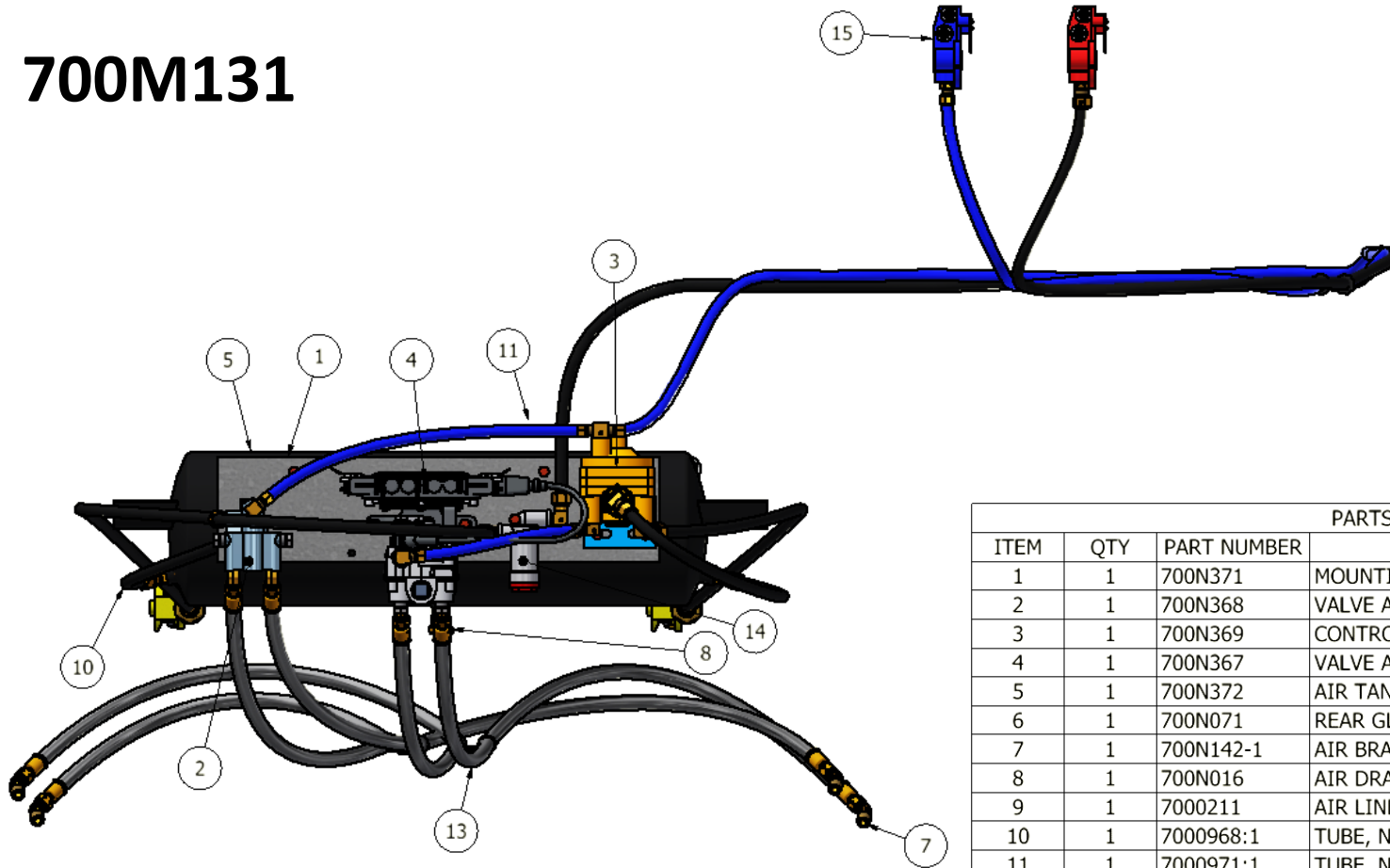


# AIR BRAKE ASSEMBLY, LTL 28'

## SPRING RIDE

## WABCO ABS

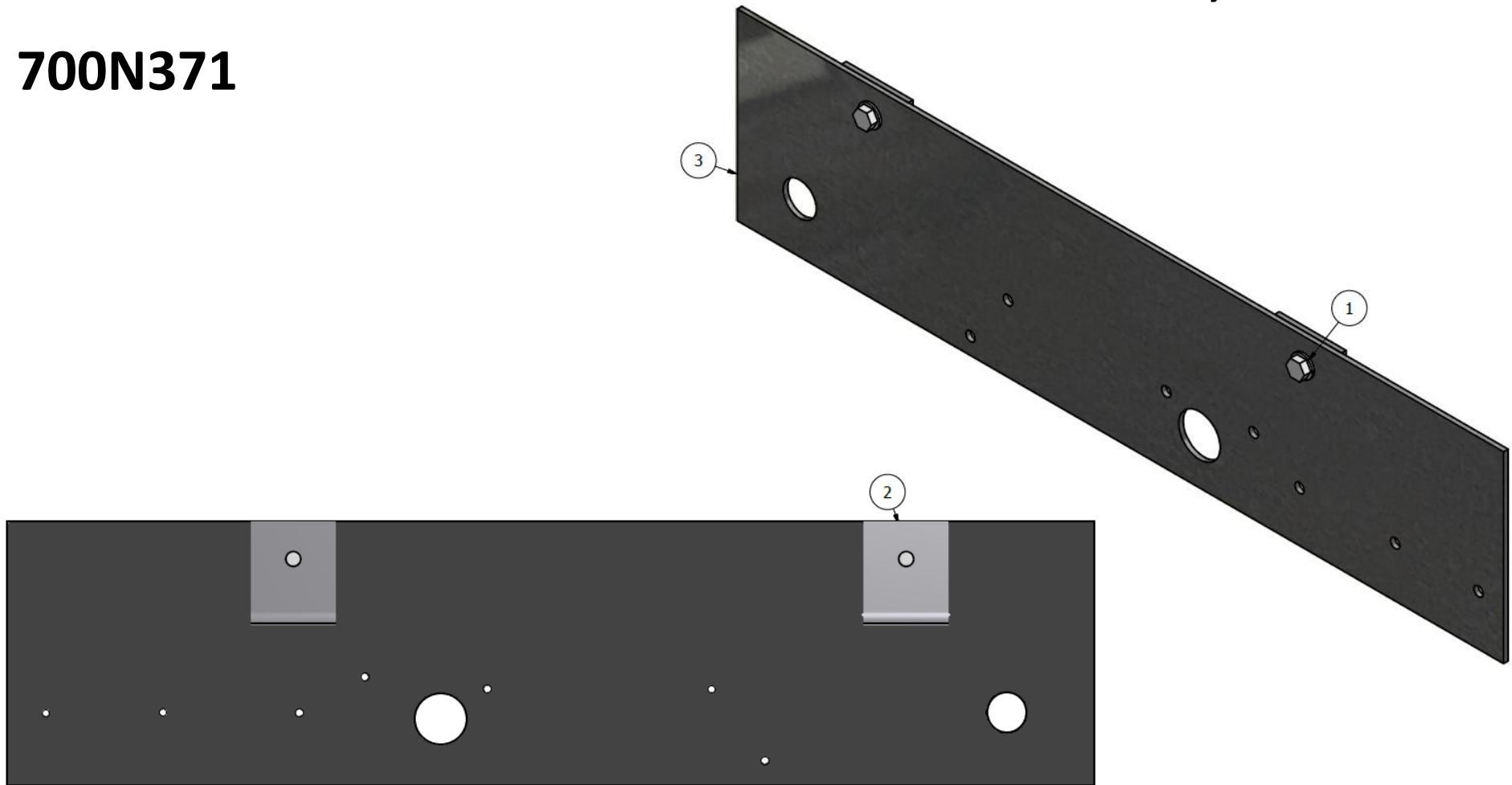
## 700M131



PARTS LIST			
ITEM	QTY	PART NUMBER	DESCRIPTION
1	1	700N371	MOUNTING PLATE ASSM, AIR BRAKE VALVE
2	1	700N368	VALVE ASSM, SPRING BRAKE
3	1	700N369	CONTROL VALVE ASSEMBLY
4	1	700N367	VALVE ASSM, ABS
5	1	700N372	AIR TANK ASSM
6	1	700N071	REAR GLADHAND ASSM
7	1	700N142-1	AIR BRAKE CHAMBER CONNECTOR ASSM
8	1	700N016	AIR DRAIN VALVE ASSM, 60" CABLE
9	1	7000211	AIR LINE - TO TANK
10	1	7000968:1	TUBE, NYLON 1/2" OD BLK
11	1	7000971:1	TUBE, NYLON-3/8" O.D. BLUE
12	10	8000478	GROMMET, 13/16" HOLE
13	1	700N399	AIR BRAKE HOSE ASSEMBLY - RUBBER LTL28 2017
14	1	700N404	AIR FILTER ASSEMBLY
15	1	700N405	GLADHAND ASSEMBLY, 28'

# AIR BRAKE VALVE MOUNTING PLATE ASSEMBLY, LTL28'

700N371



PARTS LIST			
ITEM	QTY	PART NUMBER	DESCRIPTION
1	2	6000312	BOLT, 5/16"-18 x 3/4" TRILOBULAR SELF TAPPING
2	2	7000063	MOUNTING ANGLE, AIR KIT PLATE
3	1	7000064	MOUNTING PLATE, AIR BRAKE VALVE

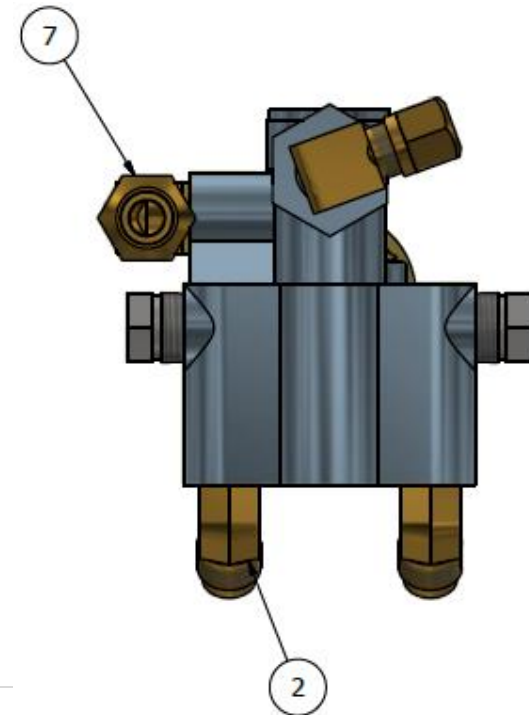
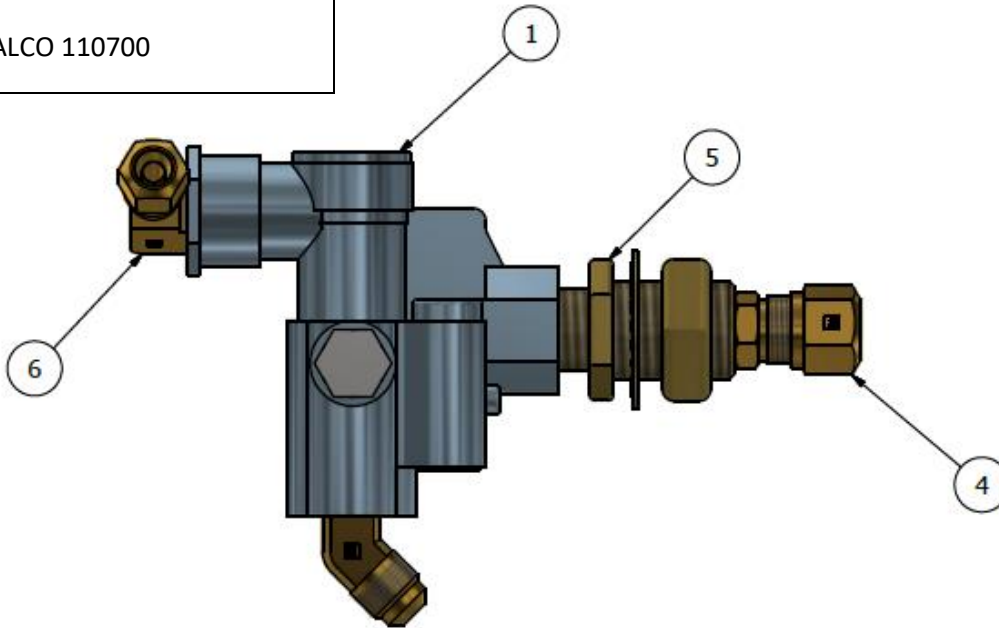


# SPRING BRAKE VALVE ASSEMBLY, LTL28'

## 700N368

OM NUMBER FOR VALVE:

SEALCO 110700



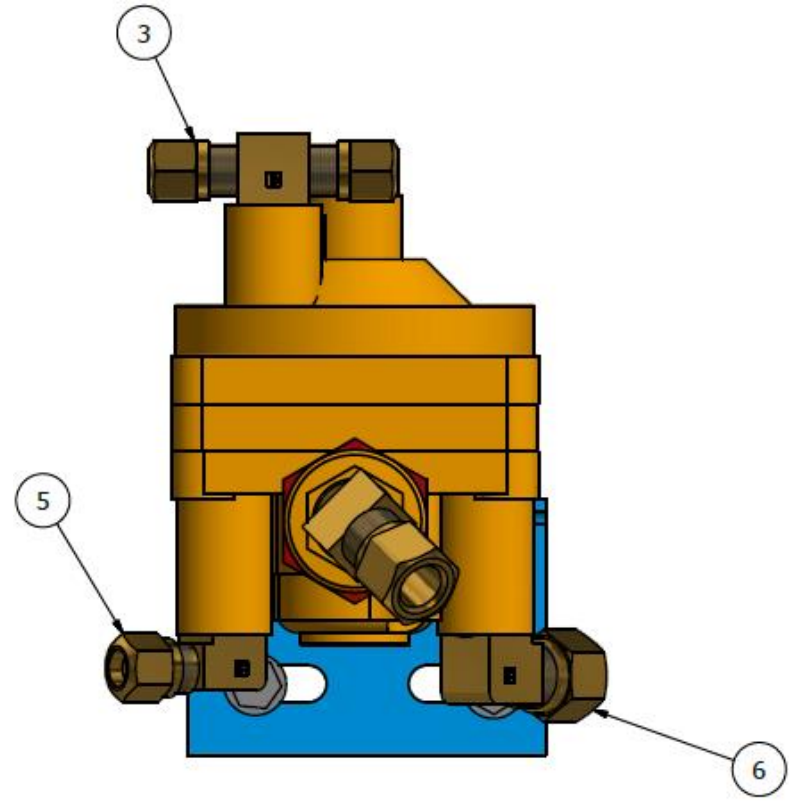
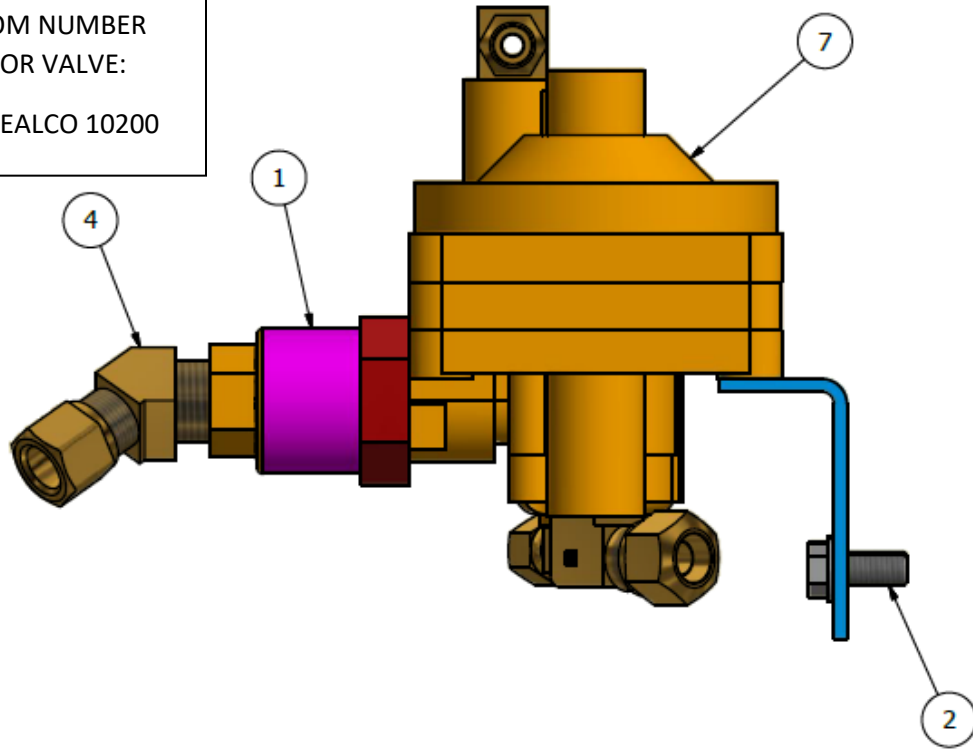
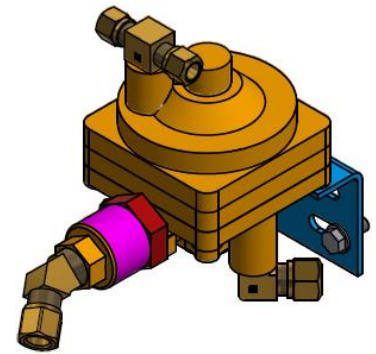
PARTS LIST			
ITEM	QTY	PART NUMBER	DESCRIPTION
1	1	7001213	VALVE, SPRING BRAKE
2	2	7000216	FITTING, 45 DEGREE ELBOW
3	2	7000851	FITTING, PIPE PLUG 3/8"
4	1	7000143	FITTING, MALE 68NTA-8-6
5	1	7000188	CLAMPING STUD, 3/4" X 1/2"
6	1	7045008	FITTING, 90 DEGREE ELBOW VS269NTA-6-6
7	1	7045009	FITTING, 90 DEGREE ELBOW VS269NTA-8-6



# CONTROL VALVE ASSEMBLY, LTL28'

## 700N369

OM NUMBER  
FOR VALVE:  
SEALCO 10200

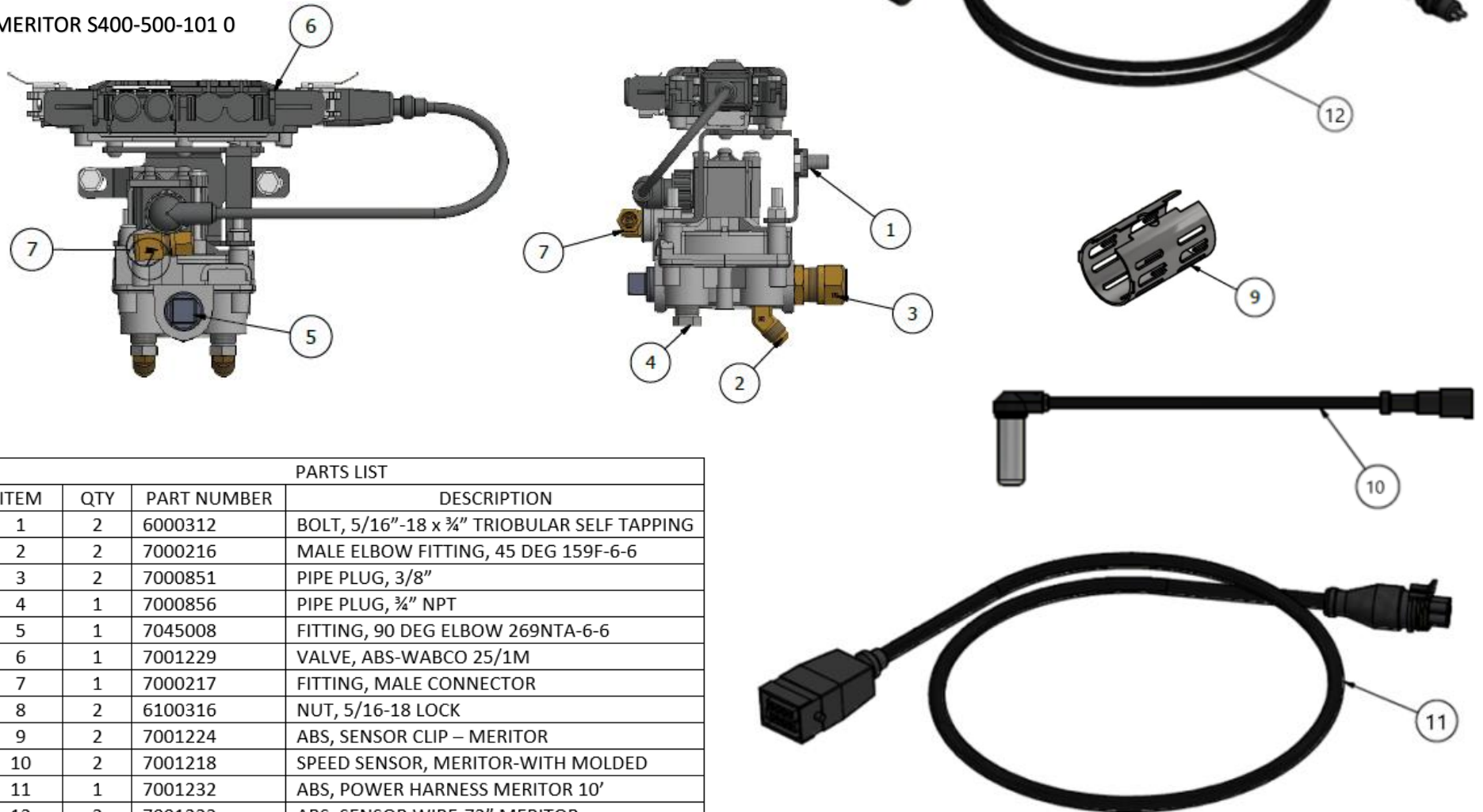


PARTS LIST			
ITEM	QTY	PART NUMBER	DESCRIPTION
1	1	7001209	VALVE, 1-WAY CHECK
2	2	6000312	BOLT 5/16"-18 X 3/4" SELF TAP
3	1	7045014	FITTING, MALE BRANCH TEE
4	1	7045012	FITTING, ELBOW 45 DEGREE
5	1	7045008	FITTING, 90 DEGREE ELBOW
6	1	7045009	FITTING, 90 DEGREE ELBOW
7	1	7045000	CONTROL LINE VALVE

# ABS VALVE ASSEMBLY, LTL28'

## 700N367

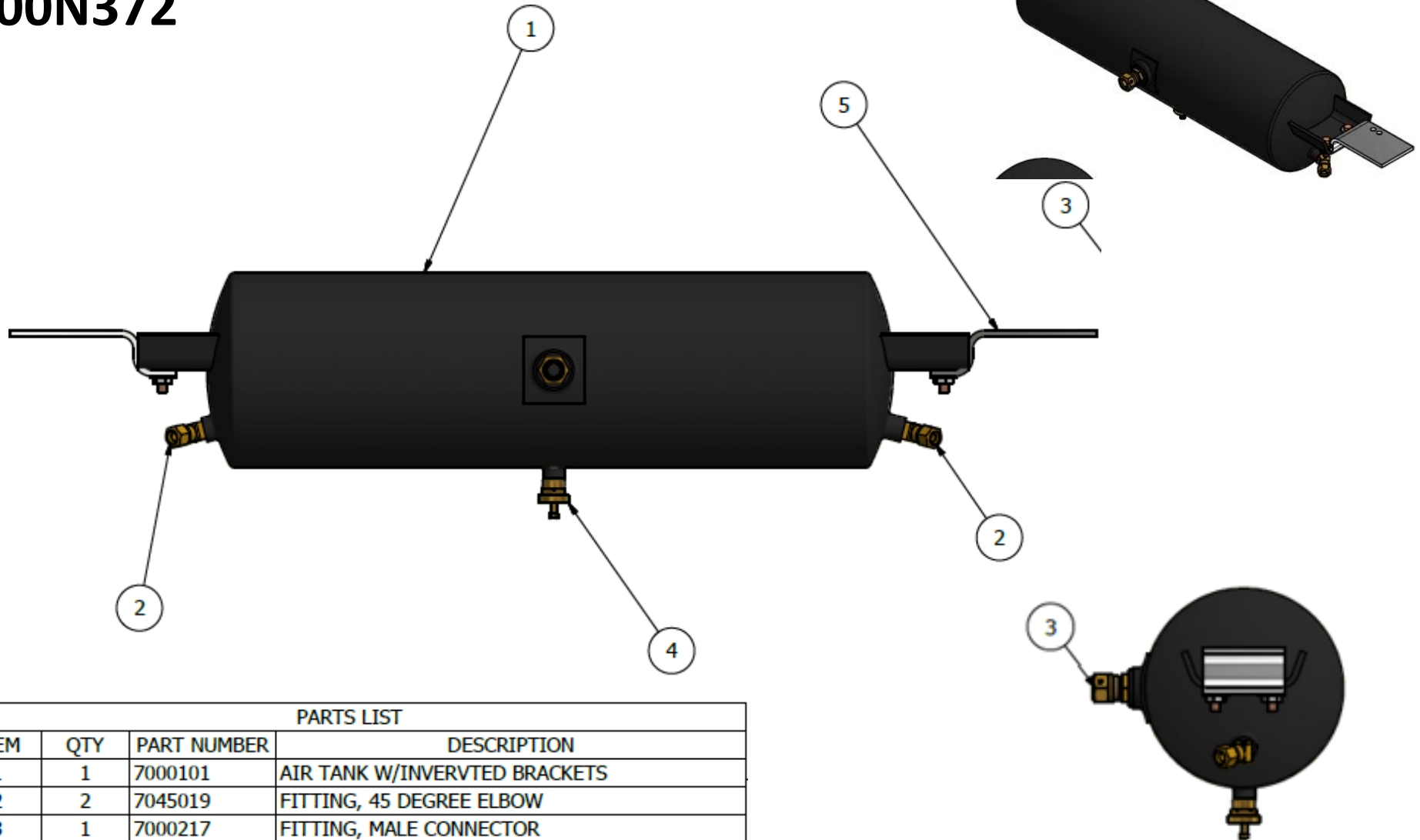
MERITOR S400-500-101 0



PARTS LIST			
ITEM	QTY	PART NUMBER	DESCRIPTION
1	2	6000312	BOLT, 5/16"-18 x 3/4" TRILOBULAR SELF TAPPING
2	2	7000216	MALE ELBOW FITTING, 45 DEG 159F-6-6
3	2	7000851	PIPE PLUG, 3/8"
4	1	7000856	PIPE PLUG, 3/4" NPT
5	1	7045008	FITTING, 90 DEG ELBOW 269NTA-6-6
6	1	7001229	VALVE, ABS-WABCO 25/1M
7	1	7000217	FITTING, MALE CONNECTOR
8	2	6100316	NUT, 5/16-18 LOCK
9	2	7001224	ABS, SENSOR CLIP - MERITOR
10	2	7001218	SPEED SENSOR, MERITOR-WITH MOLDED
11	1	7001232	ABS, POWER HARNESS MERITOR 10'
12	2	7001223	ABS, SENSOR WIRE-72" MERITOR

# AIR TANK ASSEMBLY, LTL28' & LIFTGATE

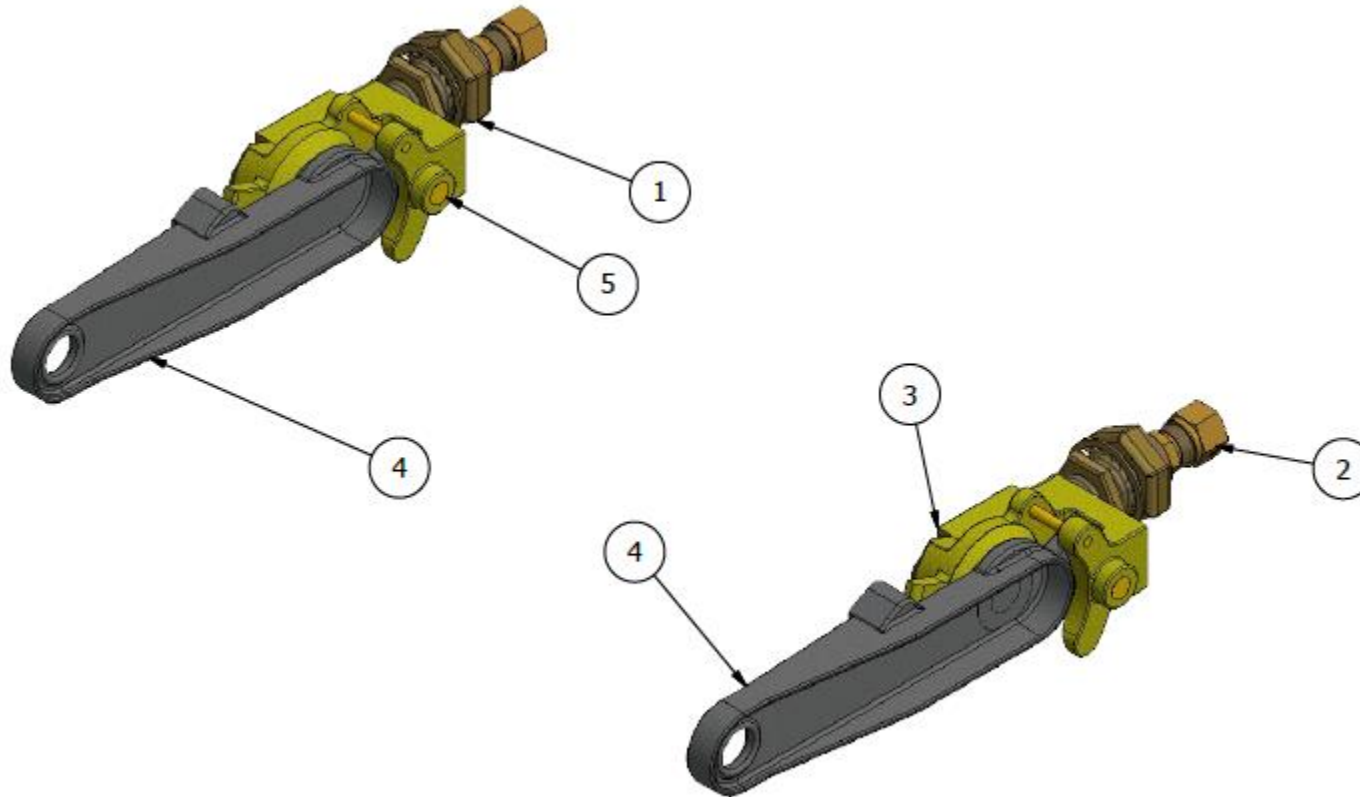
## 700N372



PARTS LIST			
ITEM	QTY	PART NUMBER	DESCRIPTION
1	1	7000101	AIR TANK W/INVERTED BRACKETS
2	2	7045019	FITTING, 45 DEGREE ELBOW
3	1	7000217	FITTING, MALE CONNECTOR
4	1	700N016	AIR DRAIN VALVE ASSM, 60" CABLE
5	1	2201656	BRACKET, AIR TANK

# GLADHAND ASSEMBLY-REAR, LTL28'

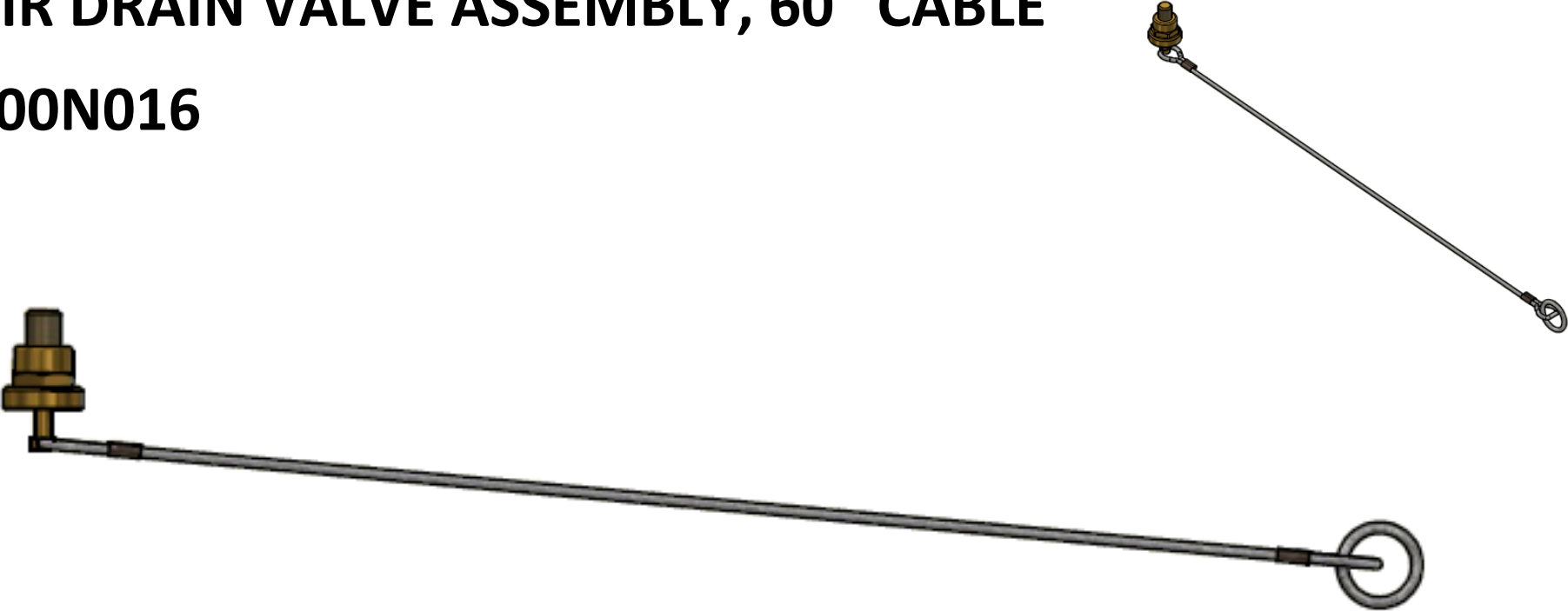
## 700N071



PARTS LIST			
ITEM	QTY	PART NUMBER	DESCRIPTION
1	2	7000188	CLAMPING STUD 3/4" x 1/2" NPY MALE
2	2	7000143	FITTING, MALE
3	1	7000059	GLADHAND, EMERGENCY - CAST / STRAIGHT
4	2	7000017	GLADHAND, DUMMY - PHILLIPS
5	1	7000058	GLADHAND, SERVICE - CAST / STRAIGHT

# AIR DRAIN VALVE ASSEMBLY, 60" CABLE

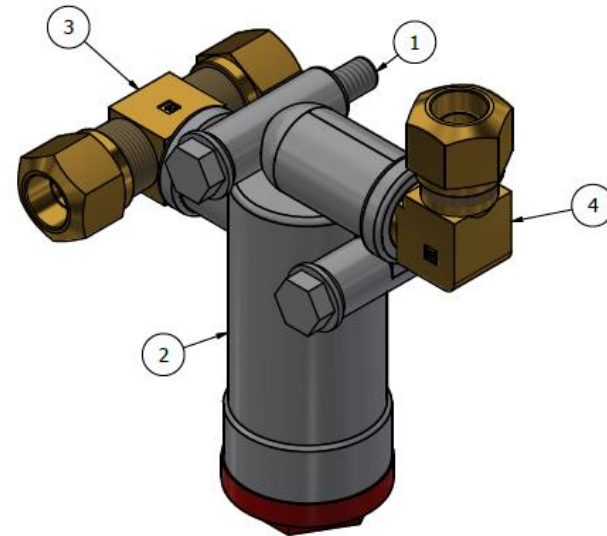
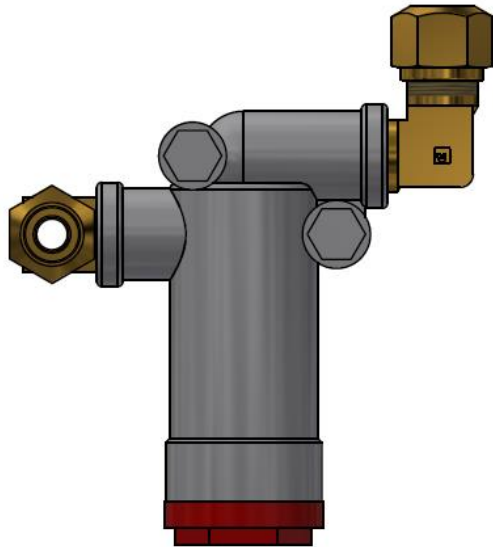
700N016



# AIR FILTER ASSEMBLY, LTL28'

## 700N404

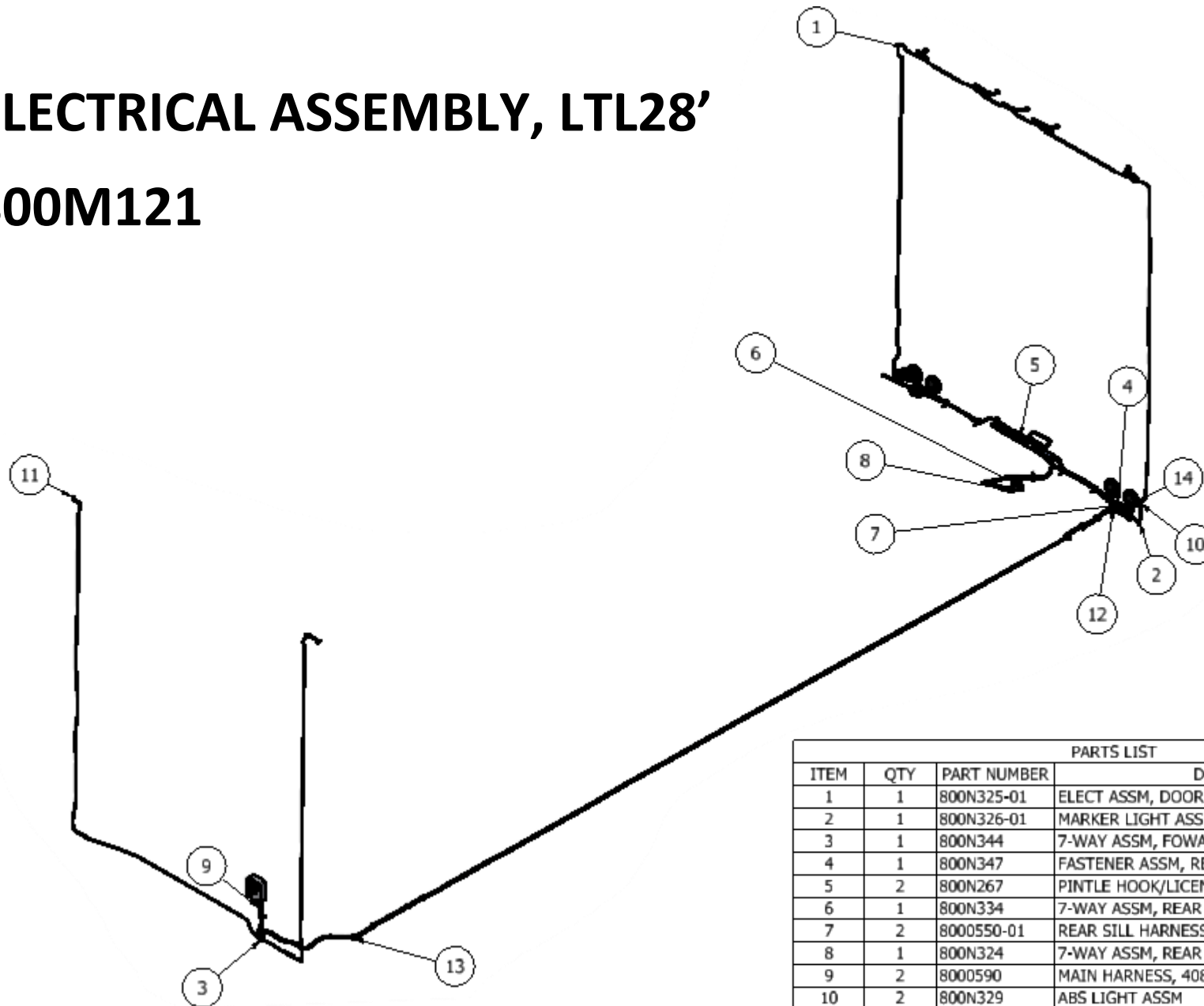
SEALCO 2550



PARTS LIST			
ITEM	QTY	PART NUMBER	DESCRIPTION
1	2	6000345	BOLT, 5/16"- 18 x 2"
2	1	7000110	VALVE, FILTER LINE - AIR BRAME
3	1	7000147	FITTING, MALE BRANCH TEE 272NTA-8-6
4	1	7045009	FITTING, ELBOW 90D, 269NTA-8-6

# ELECTRICAL ASSEMBLY, LTL28'

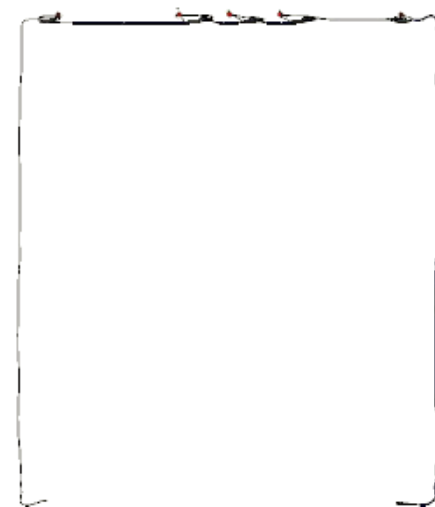
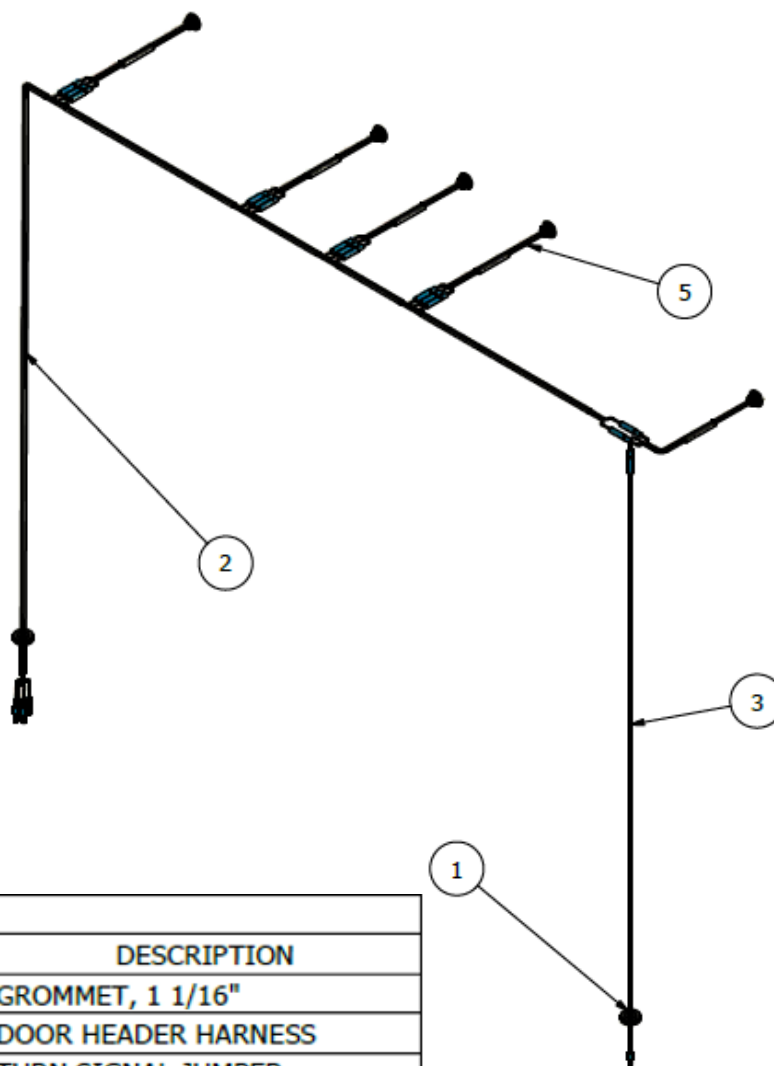
## 800M121



PARTS LIST			
ITEM	QTY	PART NUMBER	DESCRIPTION
1	1	800N325-01	ELECT ASSM, DOOR HEADER
2	1	800N326-01	MARKER LIGHT ASSM, LOWER/REAR
3	1	800N344	7-WAY ASSM, FOWARD WALL
4	1	800N347	FASTENER ASSM, REAR SILL
5	2	800N267	PINTLE HOOK/LICENSE LIGHT ASSM
6	1	800N334	7-WAY ASSM, REAR
7	2	8000550-01	REAR SILL HARNESS
8	1	800N324	7-WAY ASSM, REAR
9	2	8000590	MAIN HARNESS, 408"
10	2	800N329	ABS LIGHT ASSM
11	2	800N345	ELECT ASSM, FORWARD WALL
12	4	8000459	GROMMET, 1 3/8" HOLE x 1" ID x 3/16" GROOVE
13	5	8000477	GROMMET, 1" HOLE
14	1	800N354	TAIL LIGHT ASSEMBLY

# DOOR HEADER ELECTRICAL ASSEMBLY

## 800N325

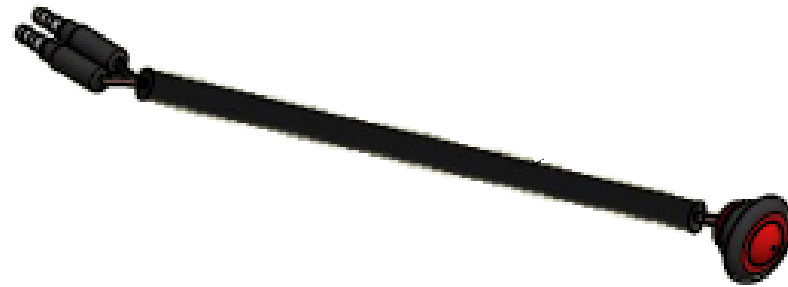


PARTS LIST			
ITEM	QTY	PART NUMBER	DESCRIPTION
1	2	8000451	GROMMET, 1 1/16"
2	1	8000553	DOOR HEADER HARNESS
3	1	8000554	TURN SIGNAL JUMPER
4	5	8000571	MICRO-NOVA DOT RED LAMP



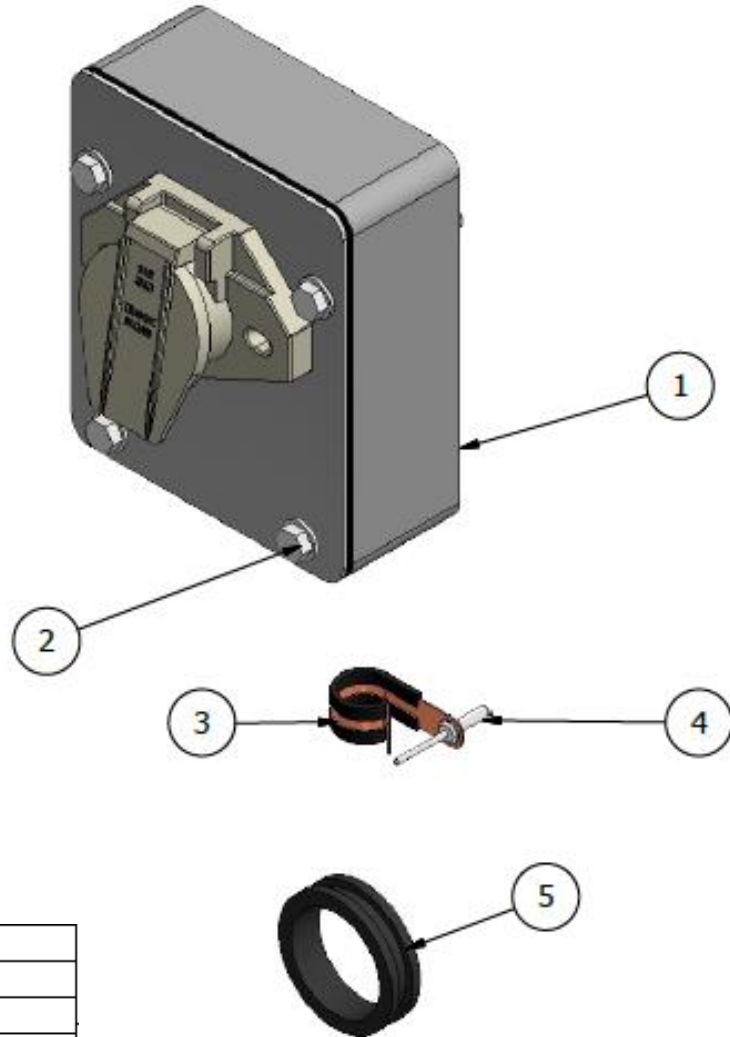
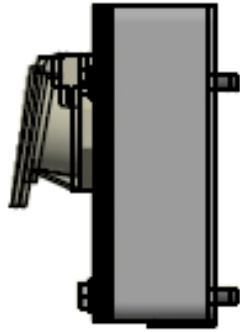
# LOWER/ REAR MARKER LIGHT ASSEMBLY

800N326



# 7-WAY ASSEMBLY FORWARD WALL

## 800N344

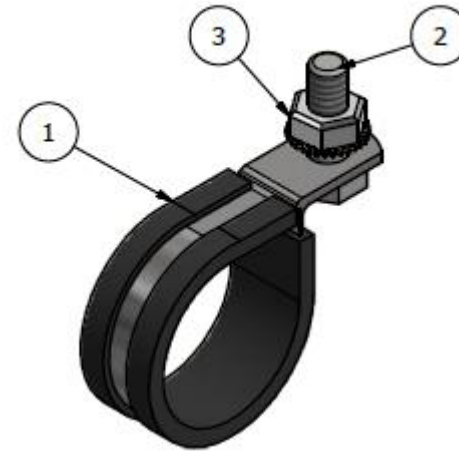


7-WAY BOX: TRAMEC 38521

PARTS LIST			
ITEM	QTY	PART NUMBER	DESCRIPTION
1	1	8000943	7-WAY SMART BOX CP, 7-PIN CP
2	4	6000298	BOLT, 5/16-18 x 2 3/4" TRILOBULAR SELF-TAPPING
3	1	8000261	CLAMP, RUBBER CUSHING - 3/4"
4	1	6300015	RIVET, POP - 6-9 CLOSED END
5	1	8000476	GROMMET, 2" HOLE, 1 3/4" ID

# REAR SILL FASTENER ASSEMBLY

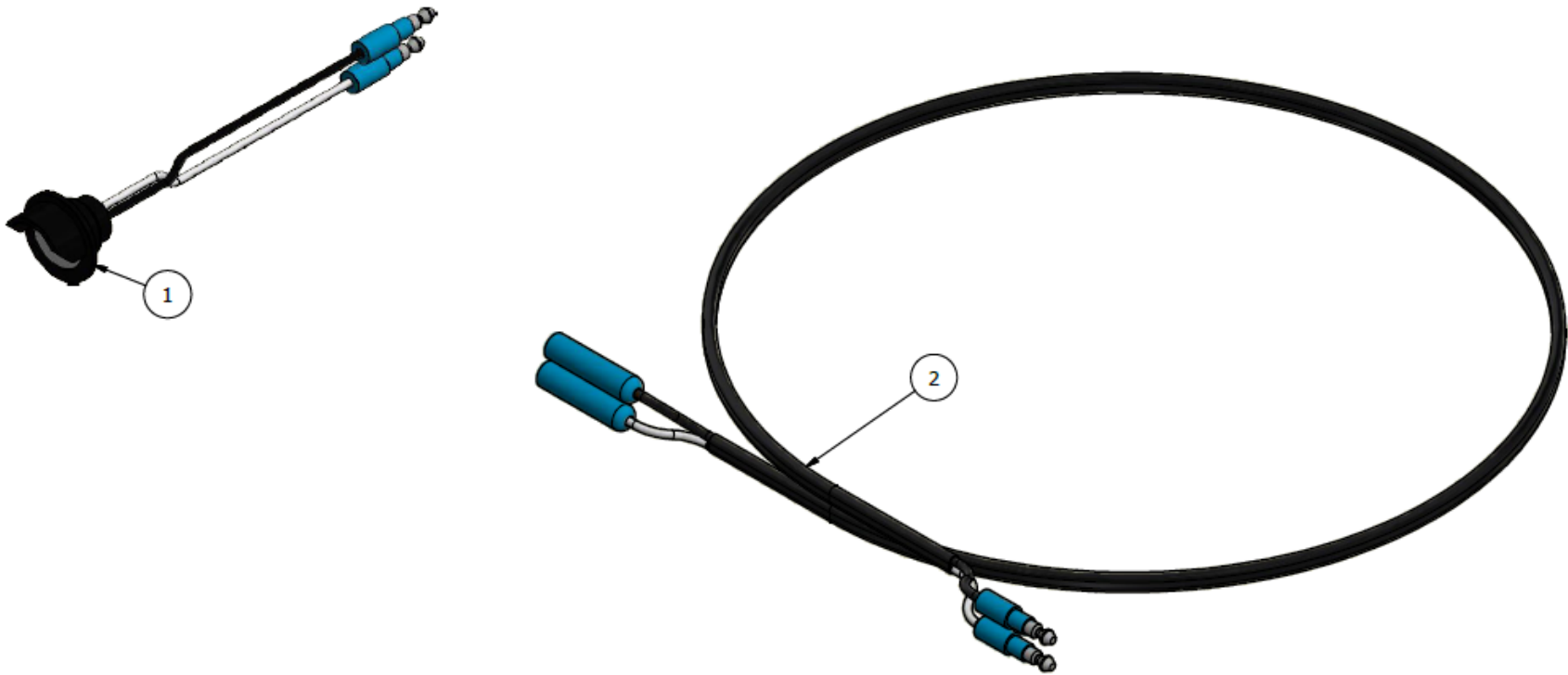
## 800N346 & 800N347



PARTS LIST			
ITEM	QTY	PART NUMBER	DESCRIPTION
1	8	8000275	CLAMP, RUBBER CUSHION 1 1/4"
2	8	6000275	BOLT 1/4"-20 x 3/4" GRADE 8 PLATED
3	8	6100256	NUT 1/4"-20 KEP STAINLESS

# PINTLE HOOK/ LICENSE LAMP ASSEMBLY

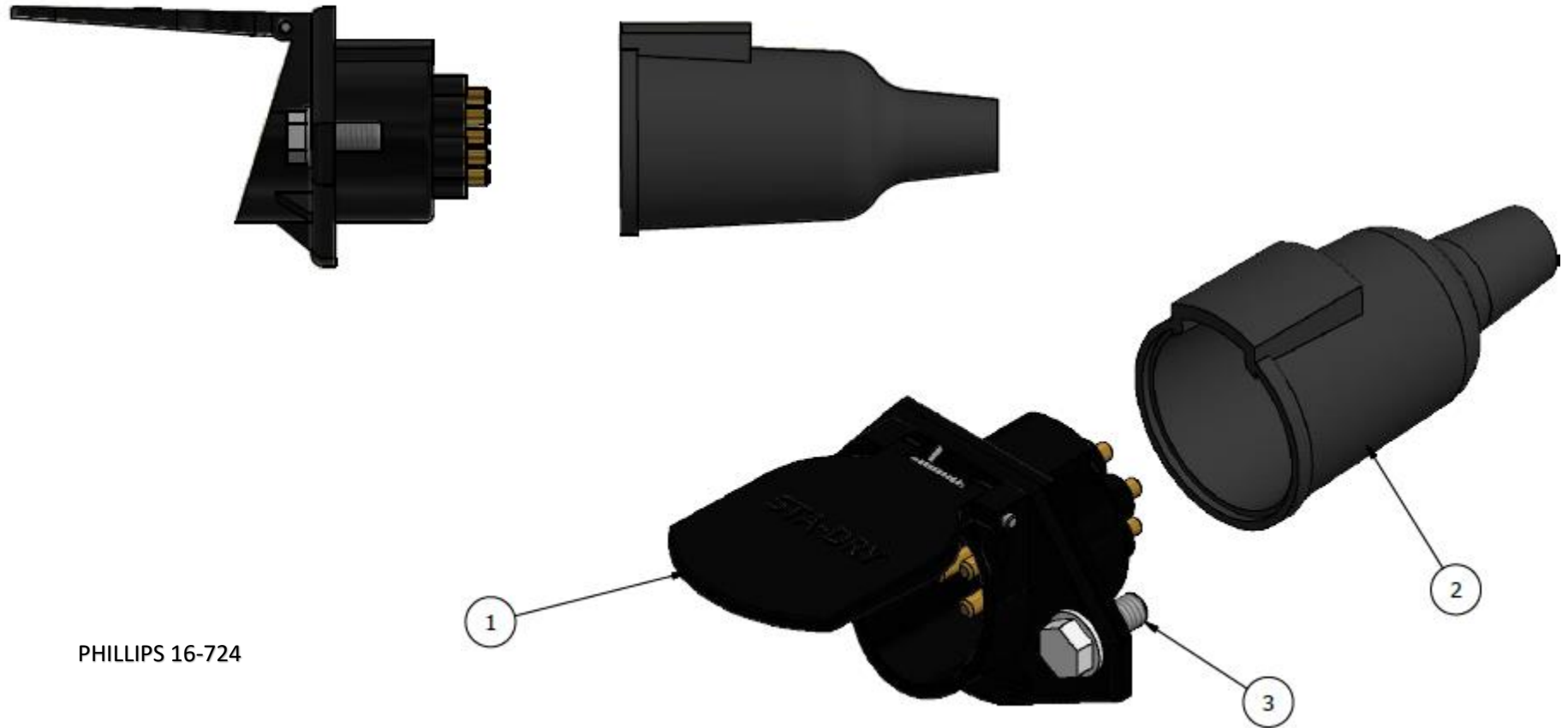
## 800N267



PARTS LIST			
ITEM	QTY	PART NUMBER	DESCRIPTION
1	1	8000196	LICENSE LIGHT MICRO-NOVA
2	1	8000197	MARKER LIGHT JUMPER 36"

# 7-WAY ASSEMBLY REAR- PHILLIPS

## 800N334

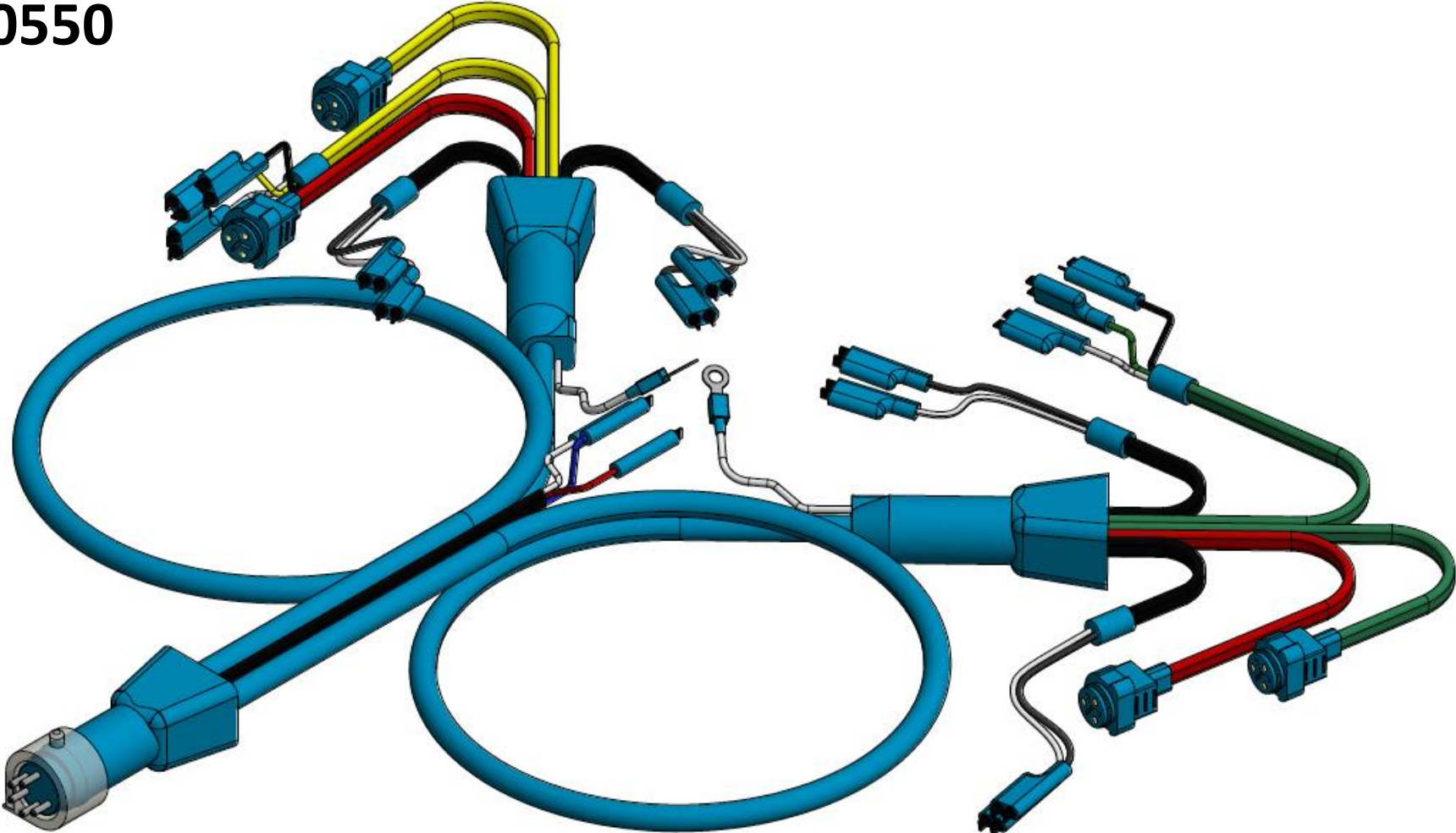


PHILLIPS 16-724

PARTS LIST			
ITEM	QTY	PART NUMBER	DESCRIPTION
1	1	8000035	7-WAY RECEPTACLE STAY DRY
2	1	8000915	7-WAY BOOT
3	2	6000312	BOLT, 5/16"-18 x 3/4"

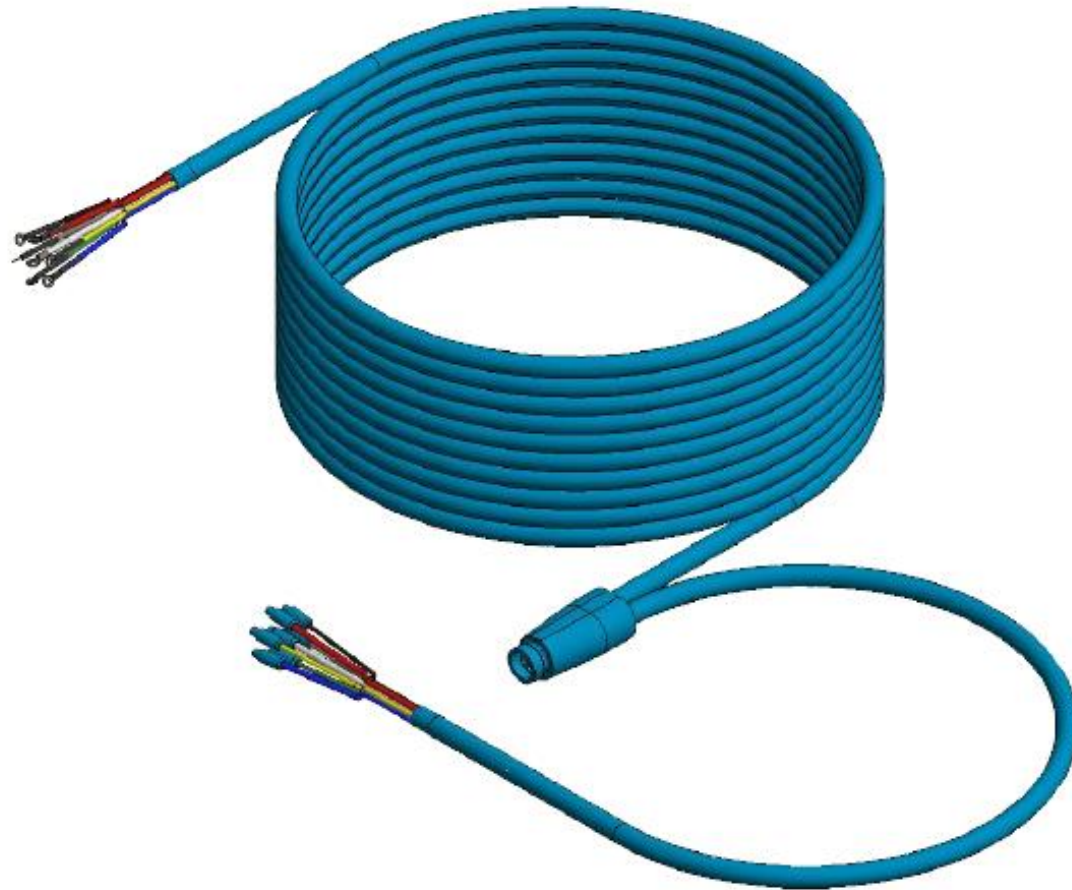
# REAR HARNESS-ABS

8000550



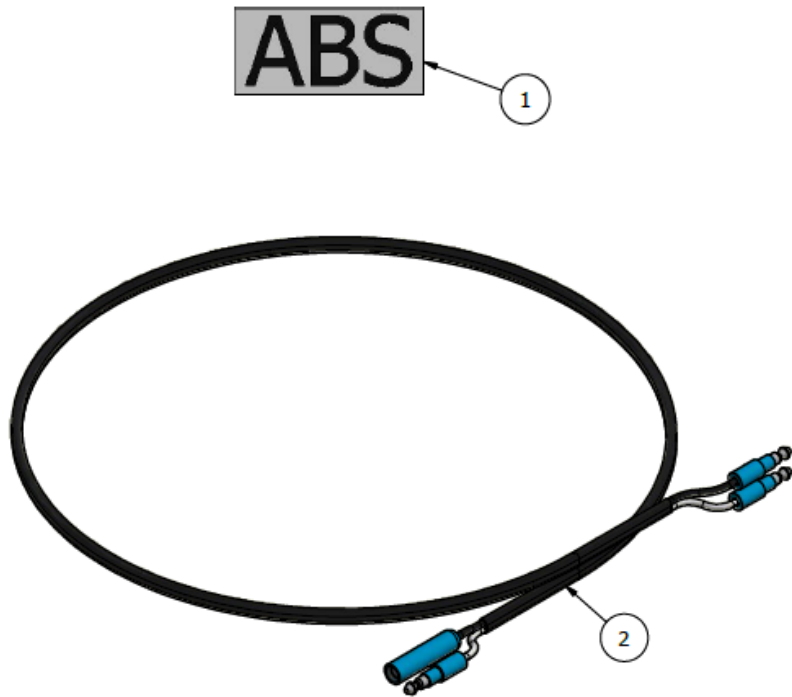
# MAIN HARNESS 408", LTL28'

8000590



# ABS LIGHT ASSEMBLY-DOT LED

## 800N329

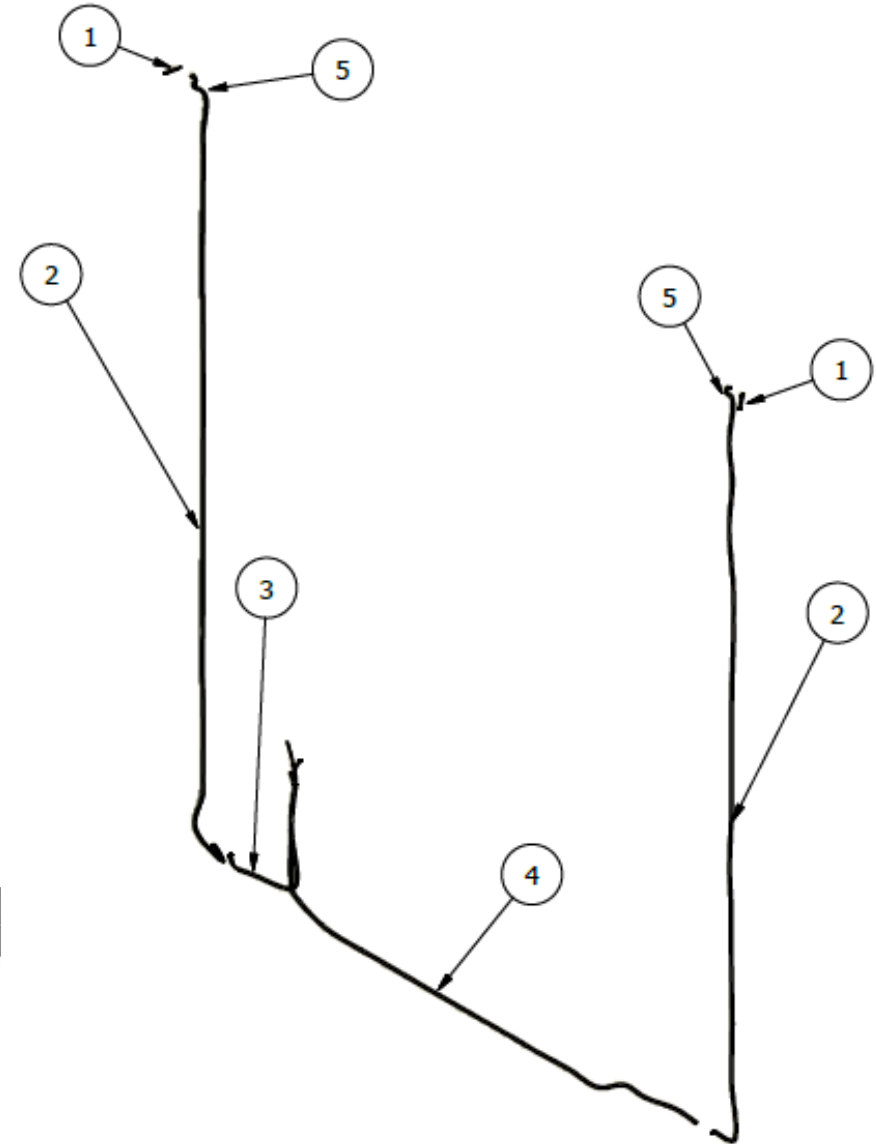


PARTS LIST			
ITEM	QTY	PART NUMBER	DESCRIPTION
1	1	7500200	ABS DECAL
2	1	8000561	ABS LIGHT JUMPER 54"
3	1	8000560	ABS POWER HARNESS 24"
4	1	8000573	MICRO-NOVA DOT AMBER LAMP



# FORWARD WALL ELECTRICAL ASSEMBLY

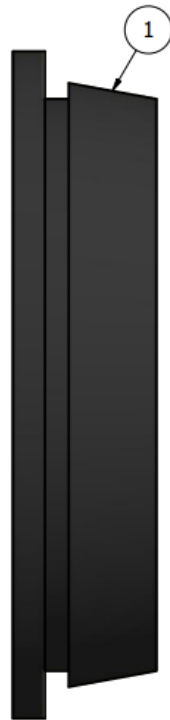
## 800N345



PARTS LIST			
ITEM	QTY	PART NUMBER	DESCRIPTION
1	2	8000572	MICRO-NOVA DOT AMBER, LED
2	2	8000594	FORWARD HARNESS CS & RS
3	1	8000596	JUMBER HARNESS 36" RS MARKER
4	1	8000597	JUMBER HARNESS 96" CS MARKER
5	2	8000458	GROMMET 5/8" HOLE
6	2	8000997	SPLIT LOOM 3/8"

# TAILLIGHT ASSEMBLY

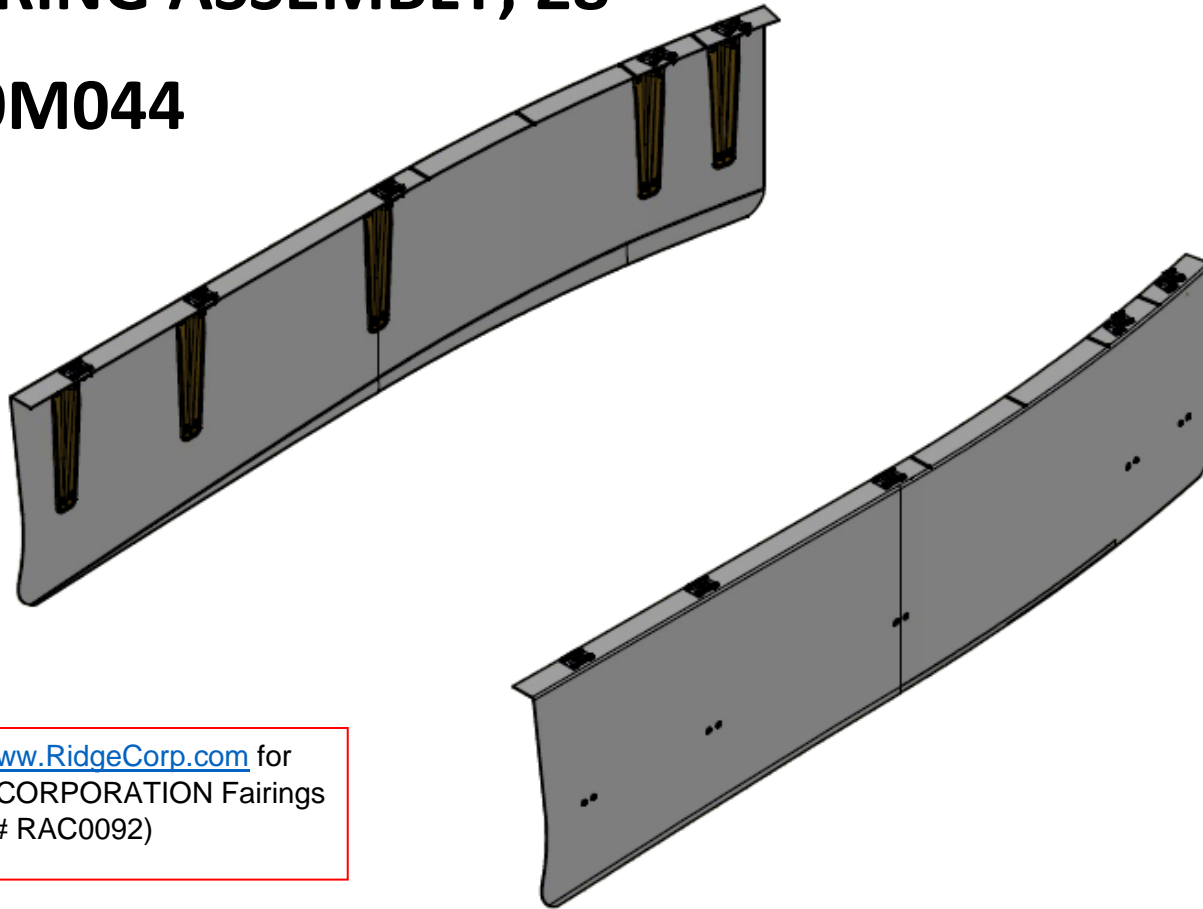
## 800N354



PARTS LIST			
ITEM	QTY	PART NUMBER	DESCRIPTION
1	1	8000906	GROMMET, TAIL LIGHT MOUNT
2	1	8001030	TAIL LIGHT, 4" LED, GROMMET MOUNT

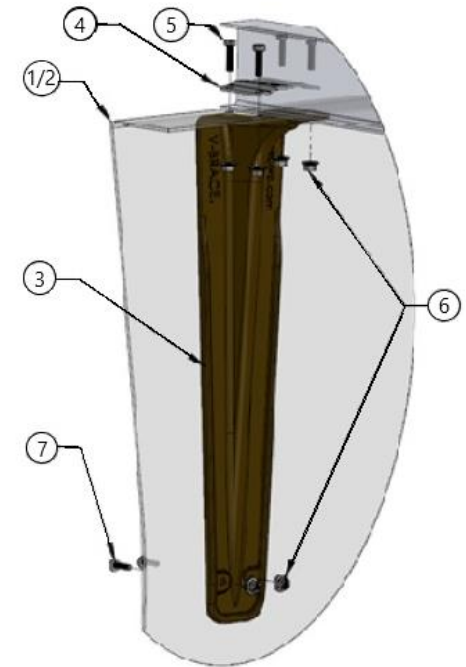
# FAIRING ASSEMBLY, 28'

## 900M044



Go to [www.RidgeCorp.com](http://www.RidgeCorp.com) for RIDGE CORPORATION Fairings (Model # RAC0092)

**TRAILER MODELS:**  
LTL28N00A-24, LTL28N00A-25,  
LTL28N00A-27, LTL28P00A-27

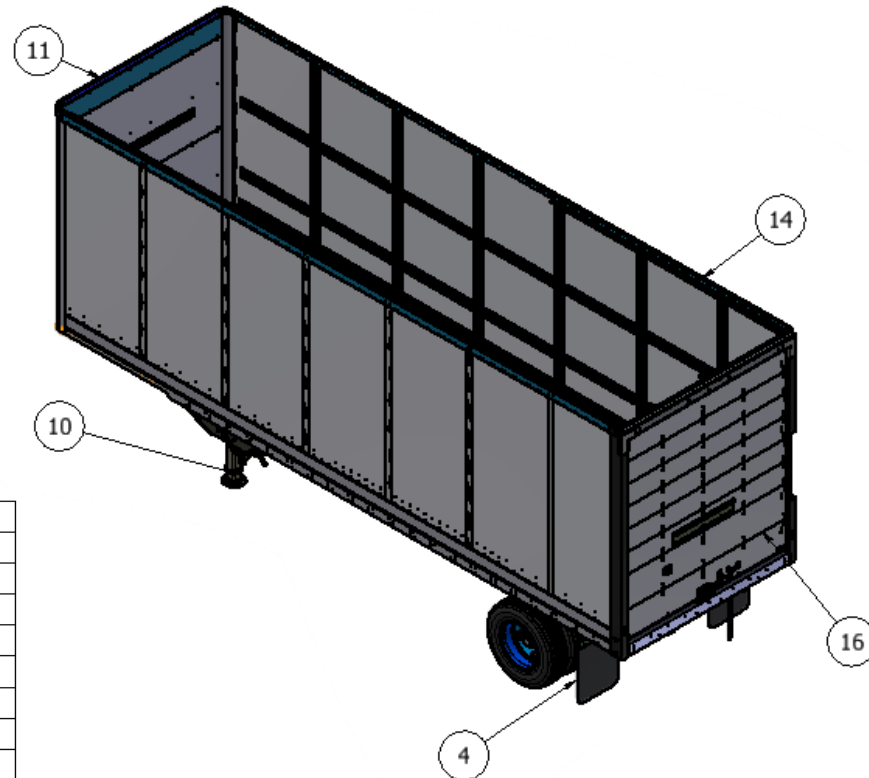


PARTS LIST			
ITEM	QTY	PART NUMBER	DESCRIPTION
1	1	RMC0487	TRAILER SKIRT ROADSIDE
2	1	RMC0488	TRAILER SKIRT CURBSIDE
3	10	RMC0300	TRAILER SKIRT V-BRACE (SLOTTED)
4	20	RPC0026	S.S CROSS MEMBER CLAMP
5	40	RPC0021	5/16"-18 x 1 1/4" G5 HEX HEAD BOLT
6	60	RPC0053	5/16"-18 LARGE FLANGE LOCK NUT
7	20	PRC0056	5/16"-18 TX-40 TRUSS HEAD BODY

# LTL28NOLA-35

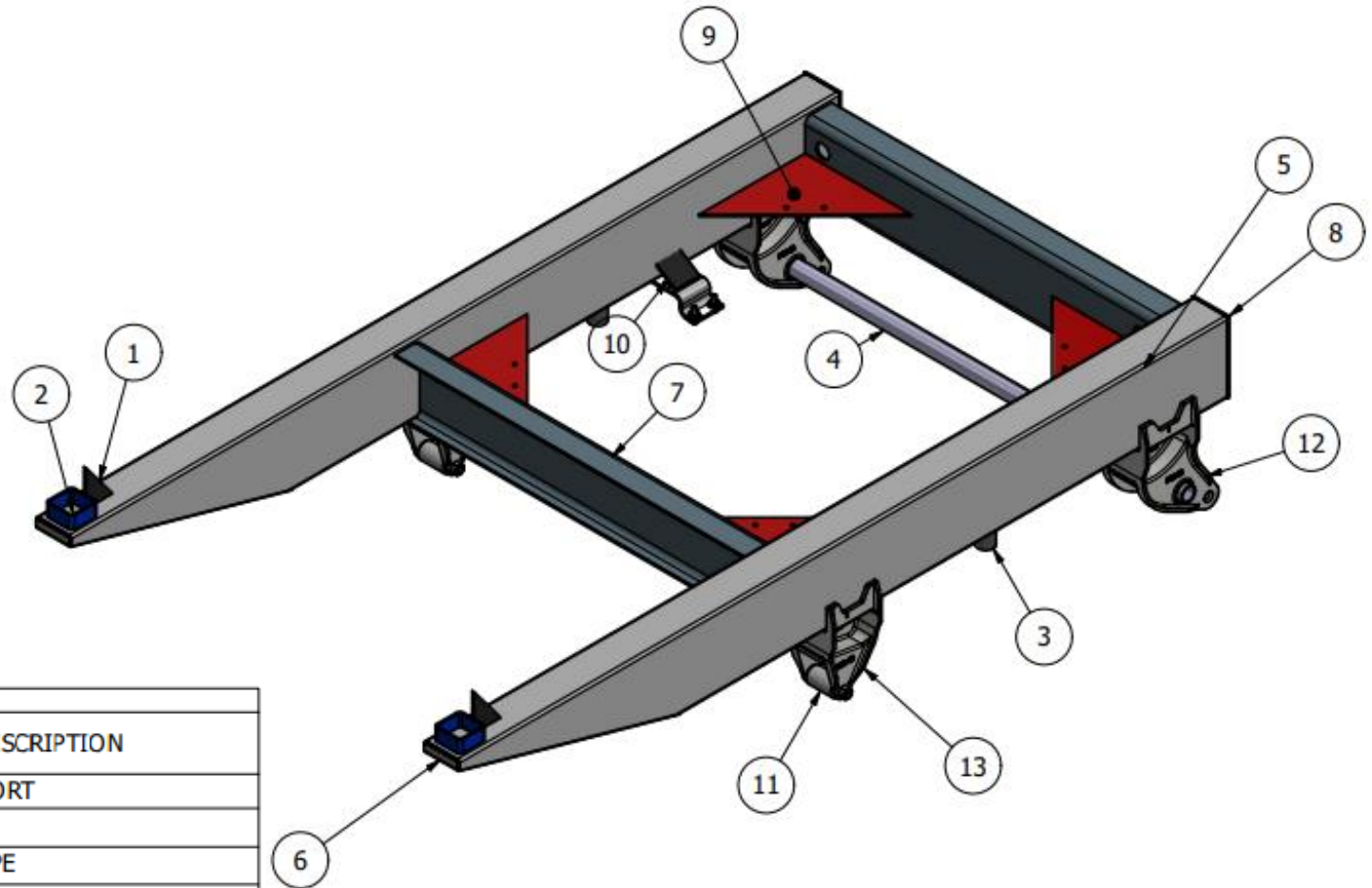
## LIFTGATE TRAILER

PARTS LIST			
ITEM	QTY	PART NUMBER	DESCRIPTION
1	1	210M105	BOGIE FRAME ASSEMBLY
2	1	220M250	AXLE ASSEMBLY, DISC BRAKE
3	1	230M044	SUSPENSION ASSEMBLY, SINGLE
4	1	240M035	TAIL LIGHT & MUD FLAP AY.
5	1	240M282	WHEEL NUT ASSM, 33 MM GUARD
6	4	240N266	NEW WHEEL & TIRE ASSM, 295/76R22.5
7	1	310M051	UPPER COUPLER ASSEMBLY
8	1	330M052	BOGIE SUB-FRAME
9	1	340M190	FLOOR ASSEMBLY, 28'
10	1	350M041	LANDING LEG ASSEMBLY
11	1	410M126	FORWARD WALL ASSY - 28'
12	1	420N203	E-TRACK ASSEMBLY, 28'
13	1	420N915	ANCRA LIFT-A-DECK, 28'
14	1	421N070	C/S SIDEWALL ASSEMBLY
15	1	422N070	R/S SIDEWALL ASSEMBLY
16	1	500M113	DOOR ASSY, TODCO, TUK-A-WAY
17	1	700M133	AIR BRAKE ASSM



# BOGIE FRAME ASSEMBLY, LTL28' LIFTGATE

## 210M105

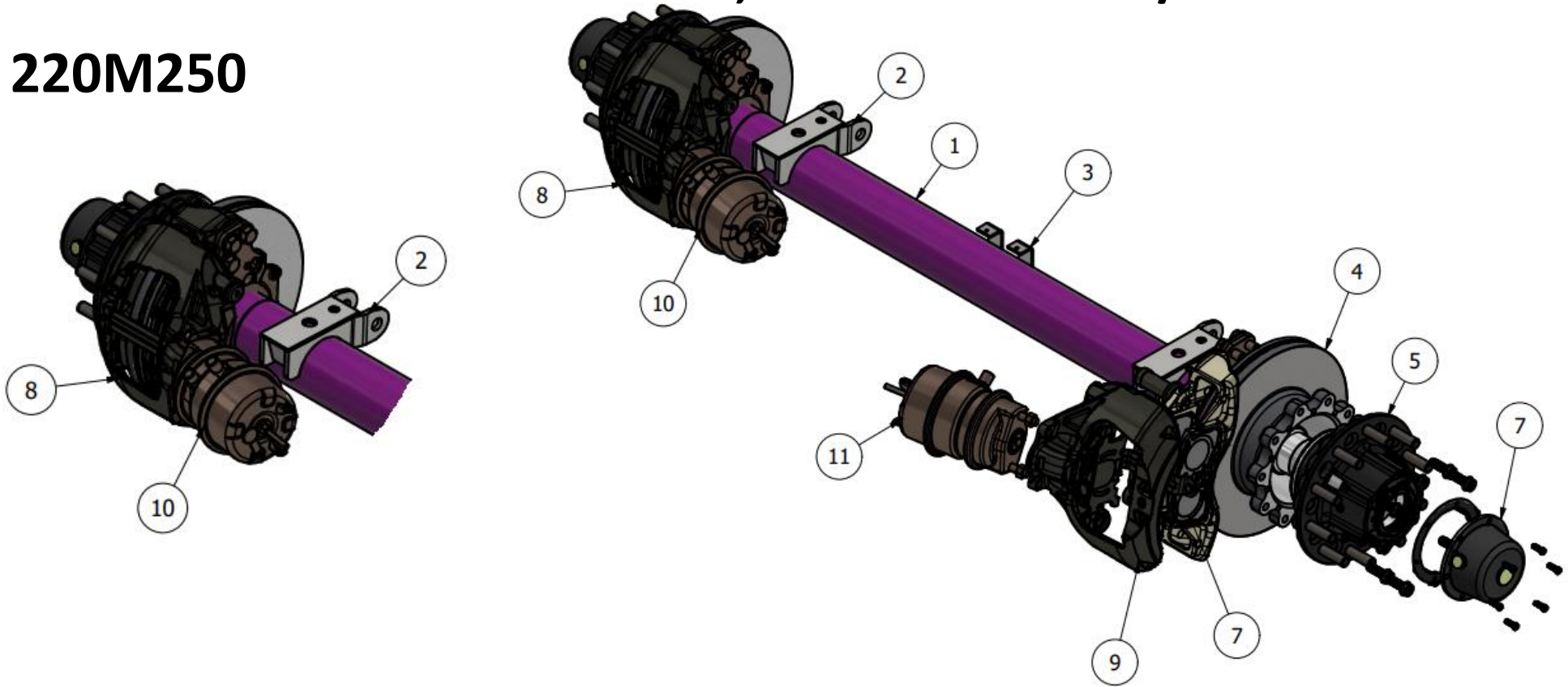


PARTS LIST			
ITEM	QTY	PART NUMBER	DESCRIPTION
1	2	2100204	GUSSET SUPPORT
2	2	2100225	SPACER
3	2	2104607	AXLE STOP PIPE
4	1	2104614	TIE BAR
5	2	2107613	BOGIE TUBE, CWF28-28LG
6	2	2107614	COVER PLATE
7	2	2107619	CHANNEL,SPREADER
8	2	2107652	PLATE, BOGIE TUBE END CAP
9	4	2107671	GUSSET, INNER BOGIE TUBE
10	1	210N762	BRACKET, AIR TANK AY
11	2	2300150	BUSHING, RUBBER - REAR
12	2	2300156	HANGER. STRADDLE CAST-F
13	2	2300157	HANGER, STRADDLE CAST RR

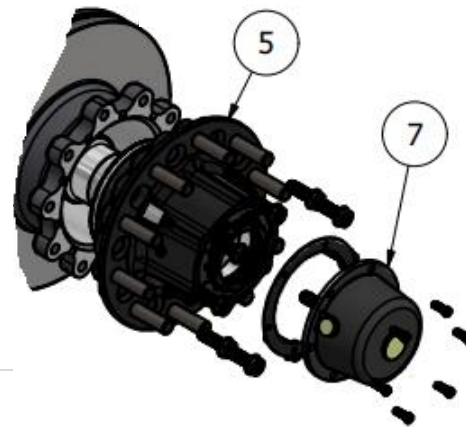


# AXLE AND WHEEL ASSEMBLY, DISC BRAKES W/ OIL

## 220M250

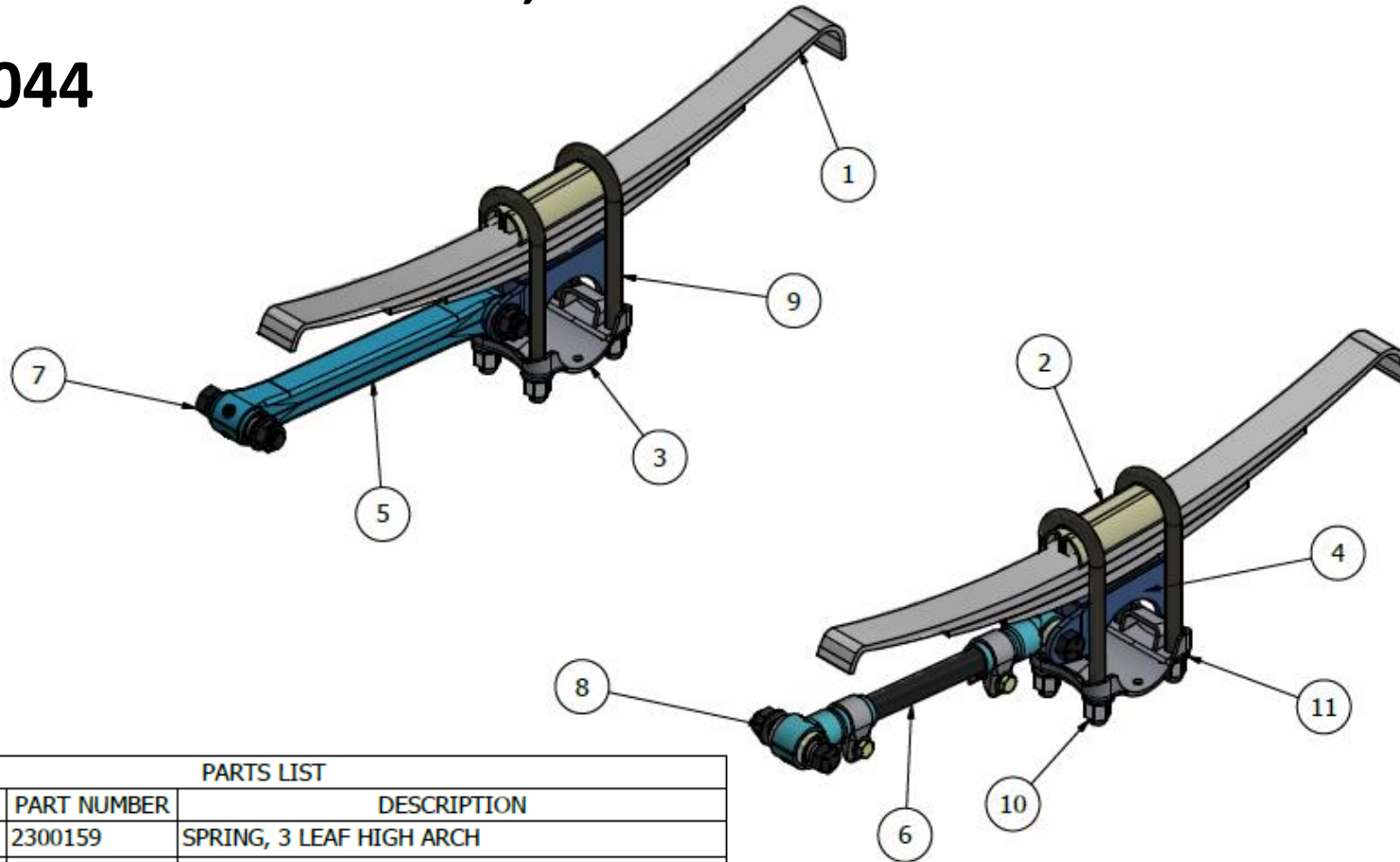


PARTS LIST			
ITEM	QTY	PART NUMBER	DESCRIPTION
1	1	2200350	AXLE BEAM, BARE
2	2	2200120	AXLE SEAT, 1 3/4"
3	2	7004521	BRACKET, AIR LINE
4+5	2	2201996	HUB/ROTOR (PRESET PLUS)
6	2	2200410	SKF HUB CAP
7	1	2202030	PAD KIT WITH HARDWARE
8	1	2202020	CALIPER, RS - LOADED
9	1	2202021	CALIPER, CS - LOADED
10	1	2202000	SPRING BRAKE CHAMBER, RS
11	1	2202001	SPRING BRAKE CHAMBER, CS



# SUSPENSION ASSEMBLY, 28'

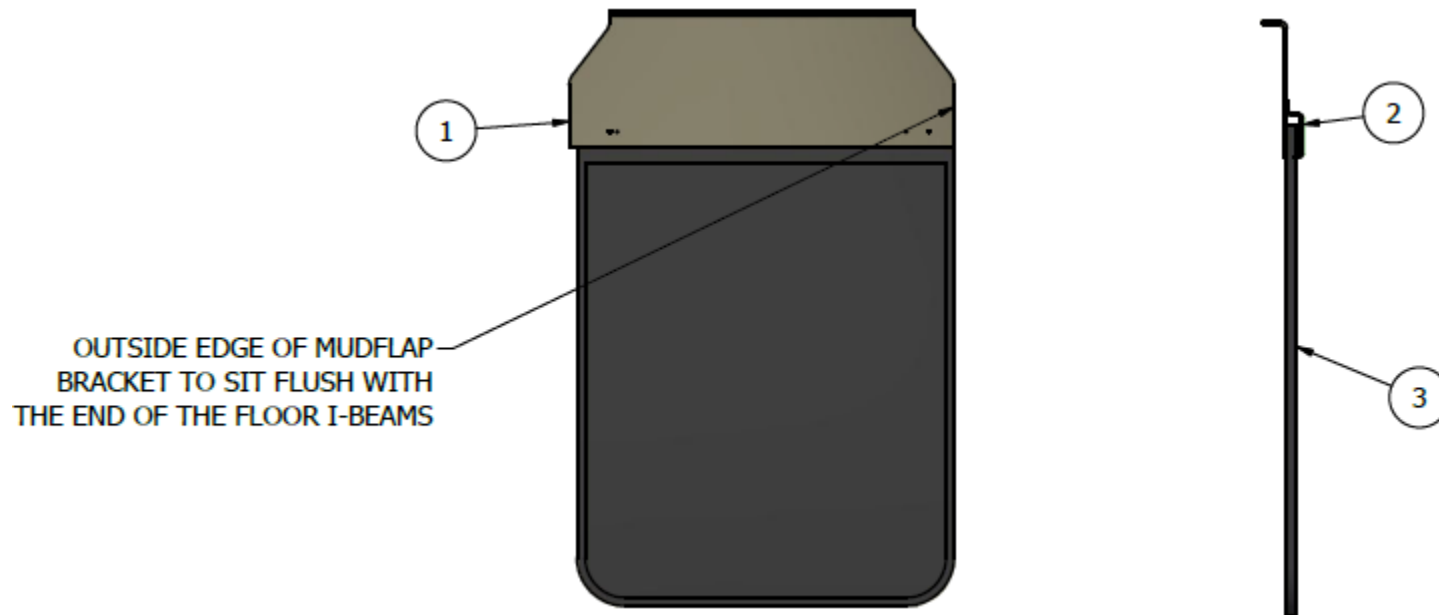
## 230M044



PARTS LIST			
ITEM	QTY	PART NUMBER	DESCRIPTION
1	2	2300159	SPRING, 3 LEAF HIGH ARCH
2	2	2300165	PLATE, TOP
3	2	2300119	PLATE, BOTTOM
4	2	2300120	AXLE SEAT
5	2	2300107	TORQUE ARM, NON-ADJUSTABLE
6	2	2300151	TORQUE ARM, ADJUSTABLE
7	4	6000951	BOLT, 1"-14 x 5" GRADE 5
8	4	6100951	NUT, 1"-14 FLANGE LOCK
9	4	2300904	U-BOLT, 5" ROUND 12 1/4"
10	8	6100876	NUT, 7/8-14 HIGH 2B
11	8	6200938	WASHER, 7/8" FLAT HARDENED

# MUDFLAP ASSEMBLY, 28'

## 240M035

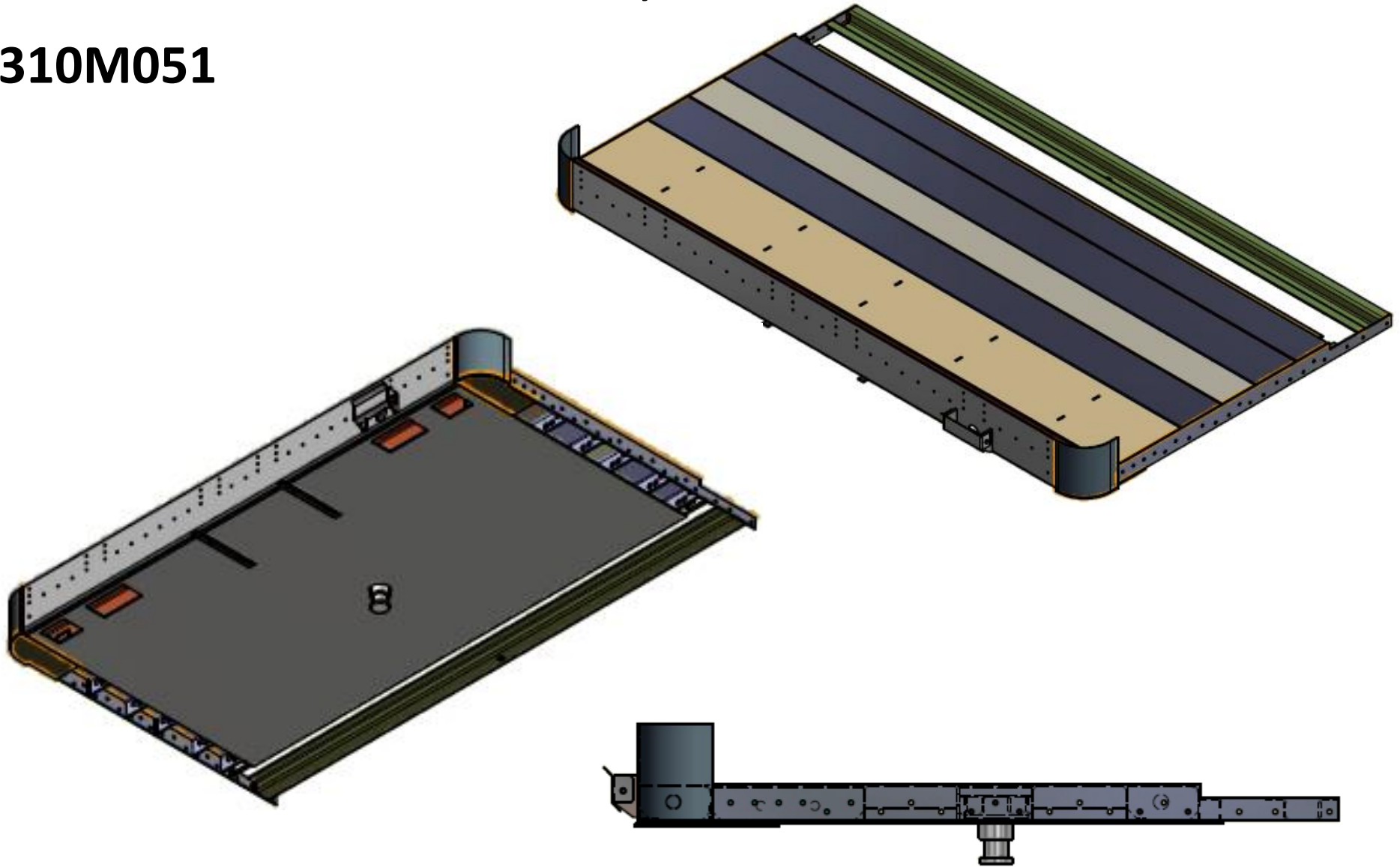


PARTS LIST			
ITEM	QTY	PART NUMBER	DESCRIPTION
1	2	2400270	C/S MUD FLAP MOUNTING BRACKET
2	2	2400272	UNIVERSAL MUD FLAP BRACKET
3	1	240N217	MUD FLAP ASSEMBLY



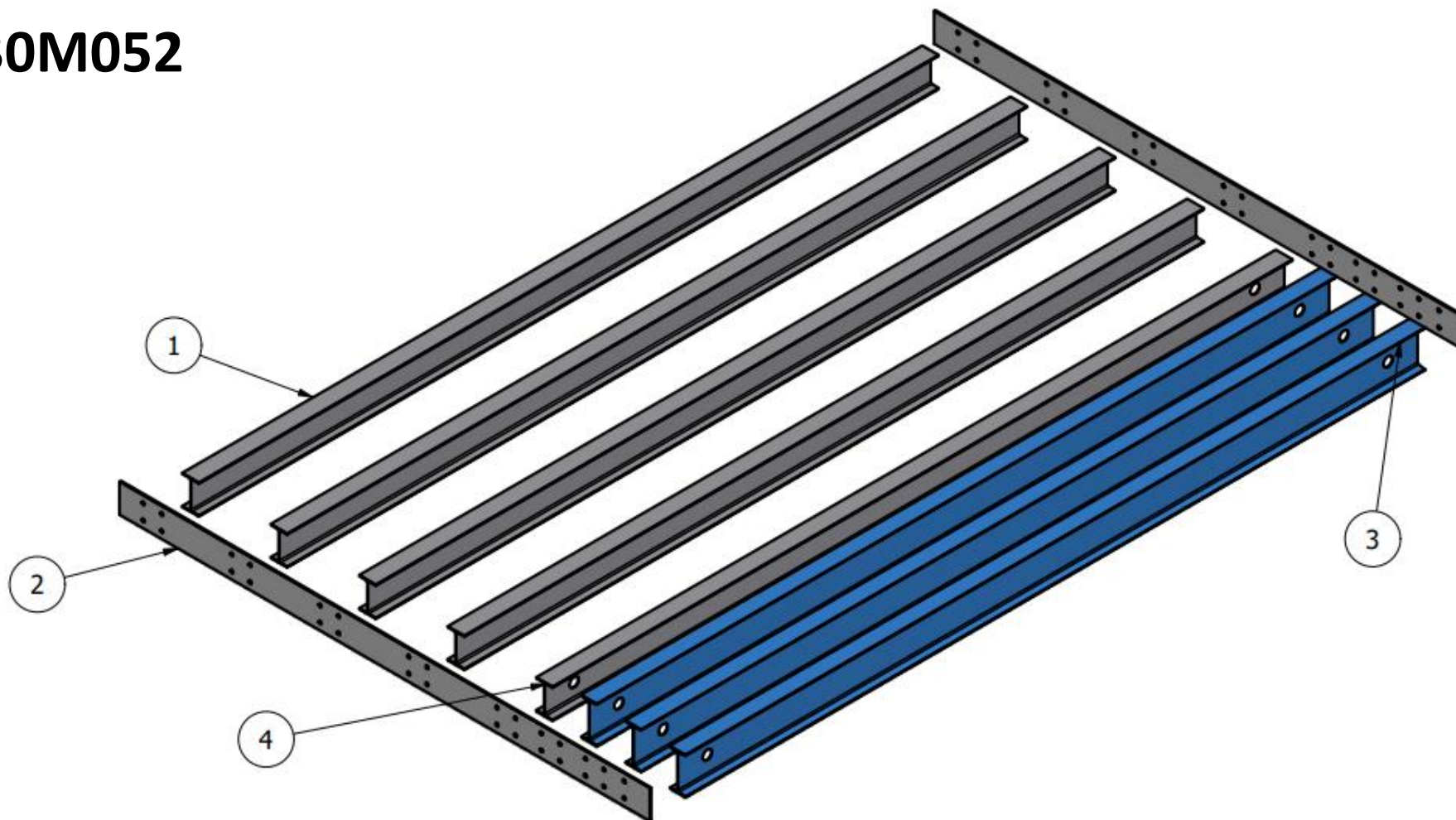
# UPPER COUPLER ASSEMBLY, 28'

310M051



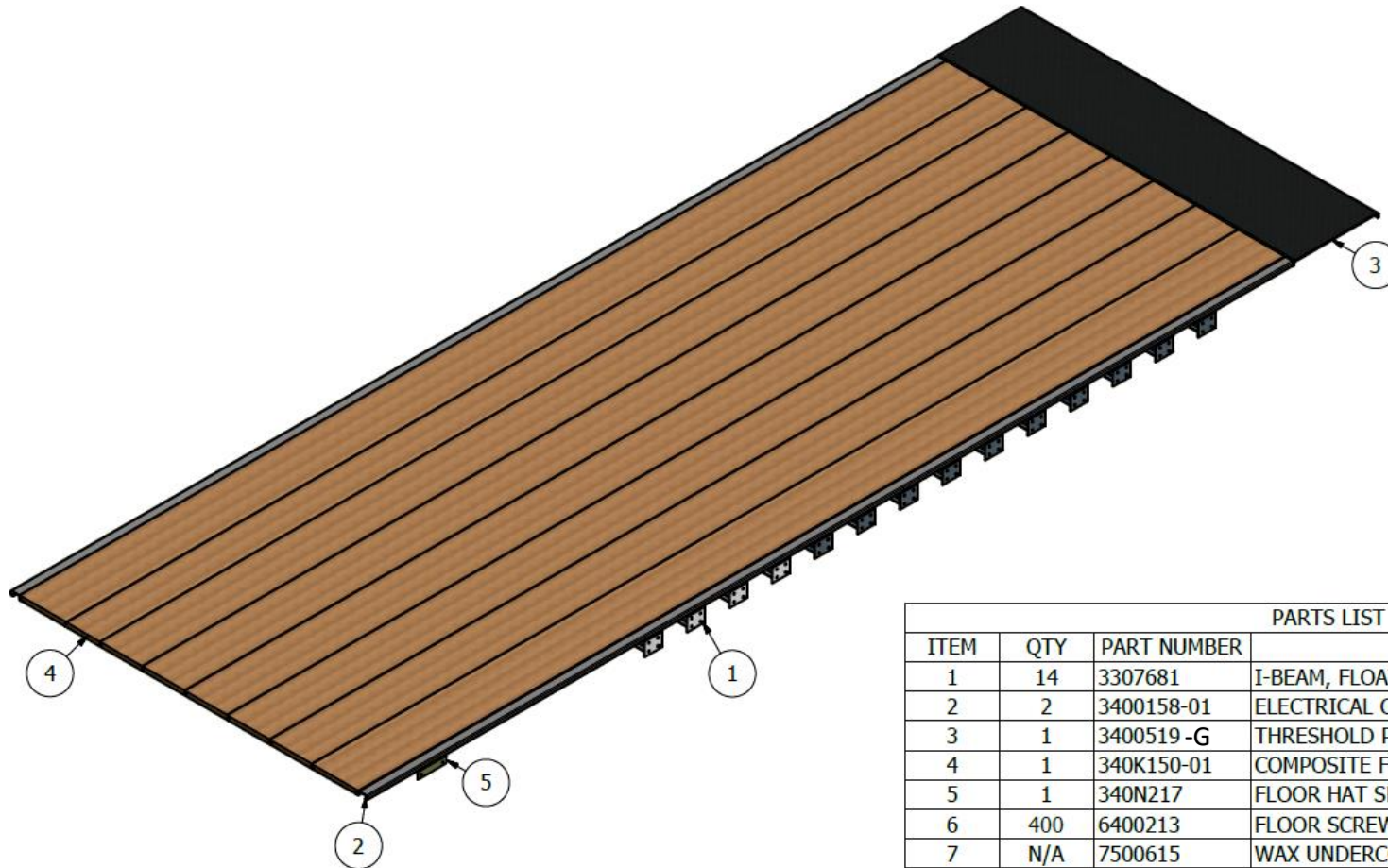
# BOGIE SUBFRAME EXTENDED SIDEPLATE ASSEMBLY

## 330M052



PARTS LIST			
ITEM	QTY	PART NUMBER	DESCRIPTION
	1	330M052	BOGIE SUBFRAME EXTENDED SIDEPLATE ASSY
1	4	3307680	I-BEAM, 4" x 100 3/8" 80 KSI
2	2	3300035	BOGIE SUB-FRAME SIDE PLATE
3	3	3307684	I-BEAM, 5" x 100 3/8", 80 KSI
4	1	3307683	I-BEAM, 4" x 100 3/8" 80 KSI

# FLOOR ASSEMBLY, 28'

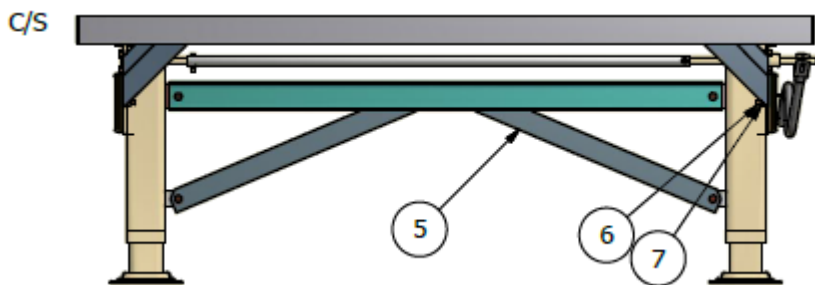
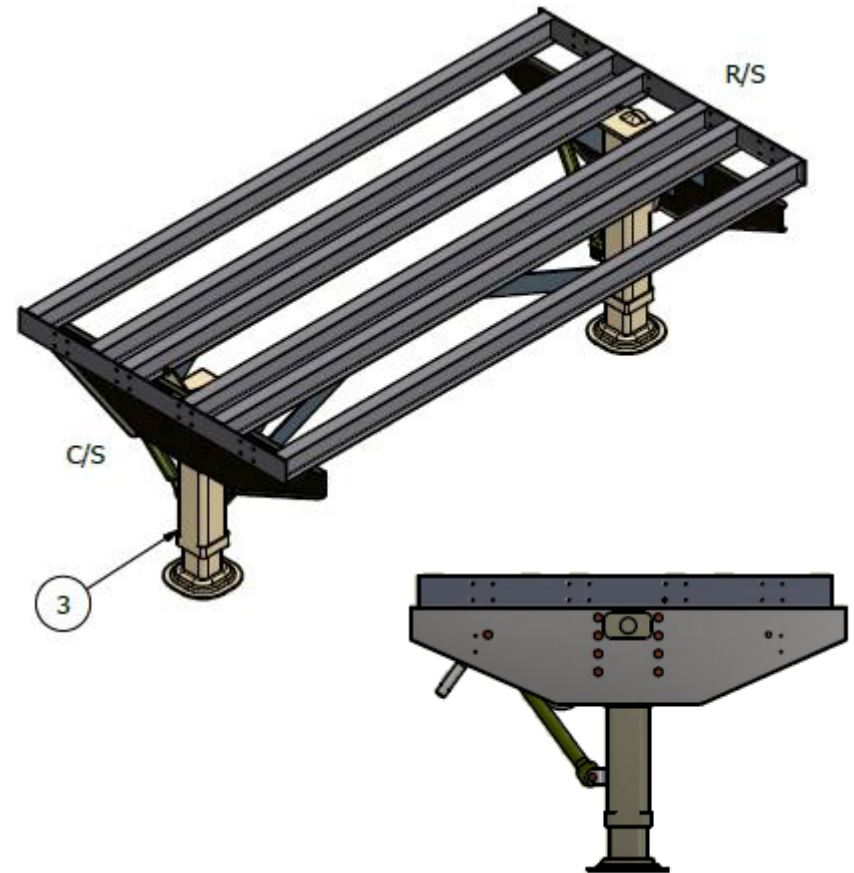
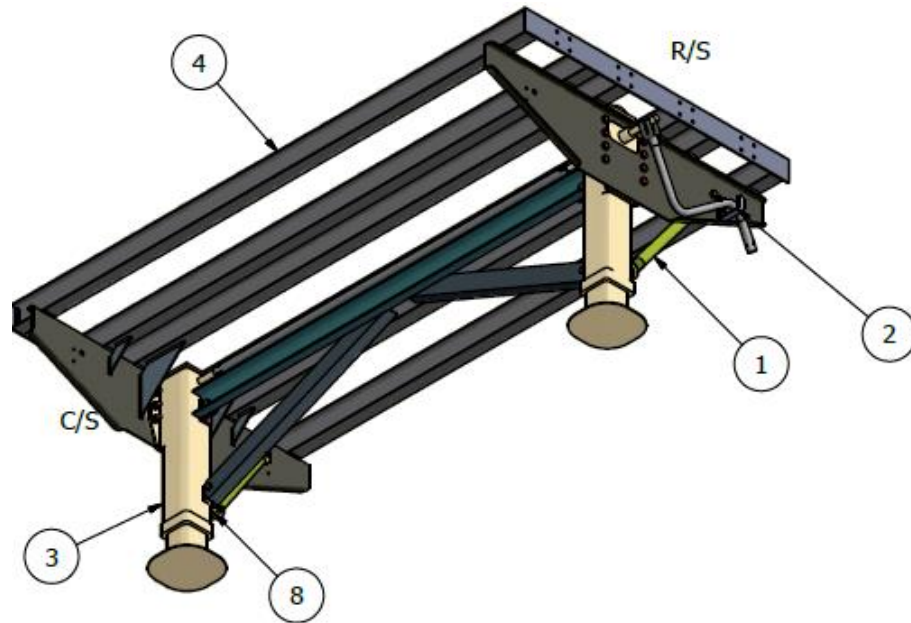


PARTS LIST			
ITEM	QTY	PART NUMBER	DESCRIPTION
1	14	3307681	I-BEAM, FLOATER W/CLIPS & WAXED
2	2	3400158-01	ELECTRICAL CHANNEL
3	1	3400519 -G	THRESHOLD PLATE
4	1	340K150-01	COMPOSITE FLOOR KIT
5	1	340N217	FLOOR HAT SECTION ASSEMBLY
6	400	6400213	FLOOR SCREW, 5/16-18 x 2" FLAT TORX HEAD
7	N/A	7500615	WAX UNDERCOAT, BLACK



# LANDING LEG ASSEMBLY

## 350M041



R/S

### PARTS LIST

ITEM	QTY	PART NUMBER	DESCRIPTION
1	2	3507232	REAR L.L. STRUT
2	1	350N045	CRANK HANDLE HOLDER
3	1	350N046	LANDING LEG ASSEMBLY
4	1	350N047	LANDING LEG SKIRT ASSEMBLY
5	1	350N049 -G	K-BRACE ASSEMBLY
6	24	6000627	BOLT, 5/8-18 x 1 3/4
7	24	6100626	NUT, 5/8-18 PINCH LOCK GRADE 5 PLATED
8	4	6200626	WASHER, 5/8 FLAT USS PLATED

# CRANK HANDLE HOLDER ASSEMBLY

## 350N045

PARTS LIST			
ITEM	QTY	PART NUMBER	DESCRIPTION
1	1	3500559-G	HOLDER, CRANK HANDLE
2	2	6000275	BOLT, 1/4 - 20 x 3/4" GRADE 8 PLATED
3	2	6100258	NUT, 1/4 - 20 LOCK
4	2	6200252	WASHER, 1/4" SAE FLAT PLATED

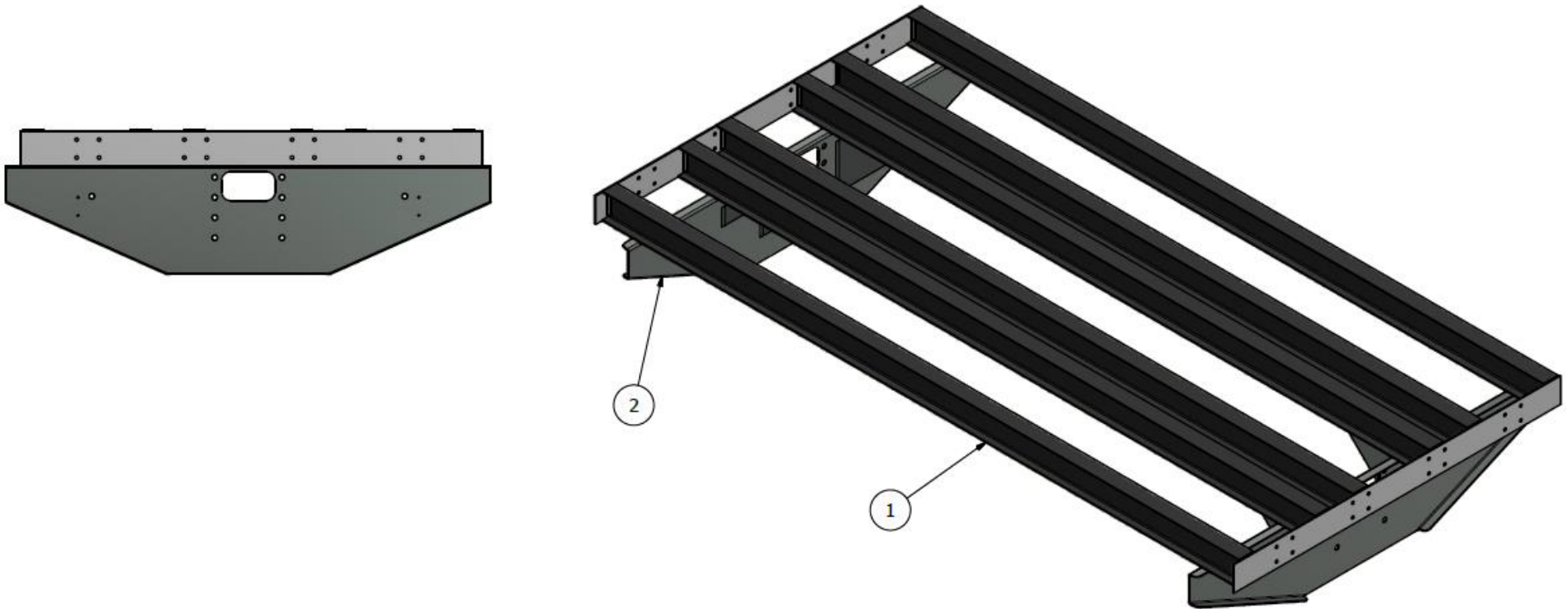
# LANDING LEG ASSEMBLY

## 350N046

PARTS LIST			
ITEM	QTY	PART NUMBER	DESCRIPTION
1	1	3500140	CROSS SHAFT, LANDING LEG, 68.75"
2	1	3500148	LANDING LEG CRANK HANDLE
3	1	3500564	MASTER LANDING LEG, INBOARD
4	1	3500565	SLAVE LANDING LEG, INBOARD

# LANDING LEG SKIRT ASSEMBLY

## 350N047

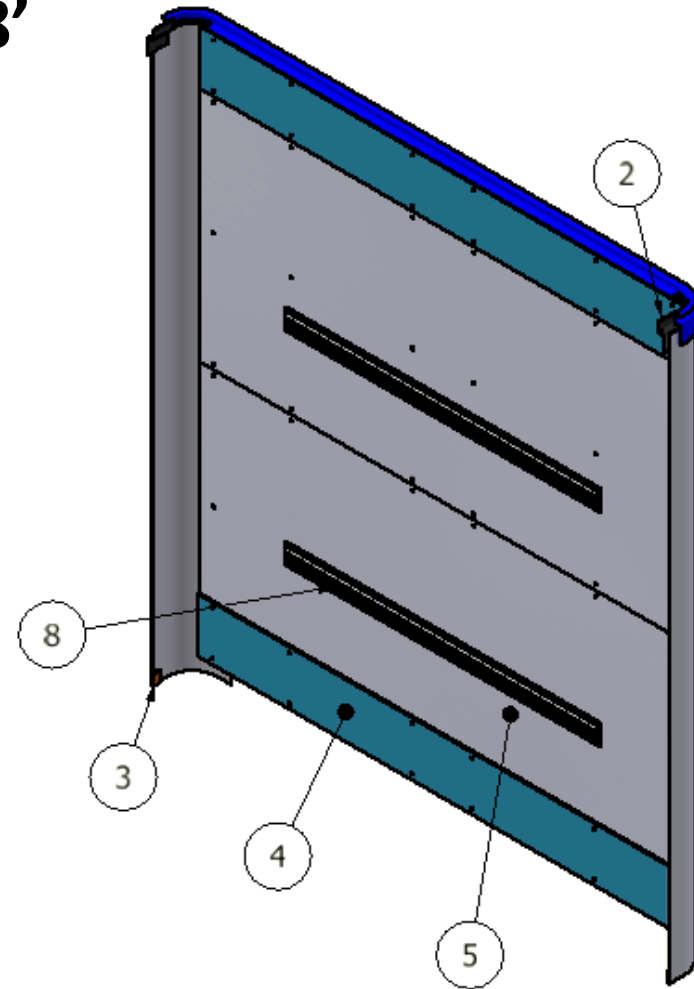
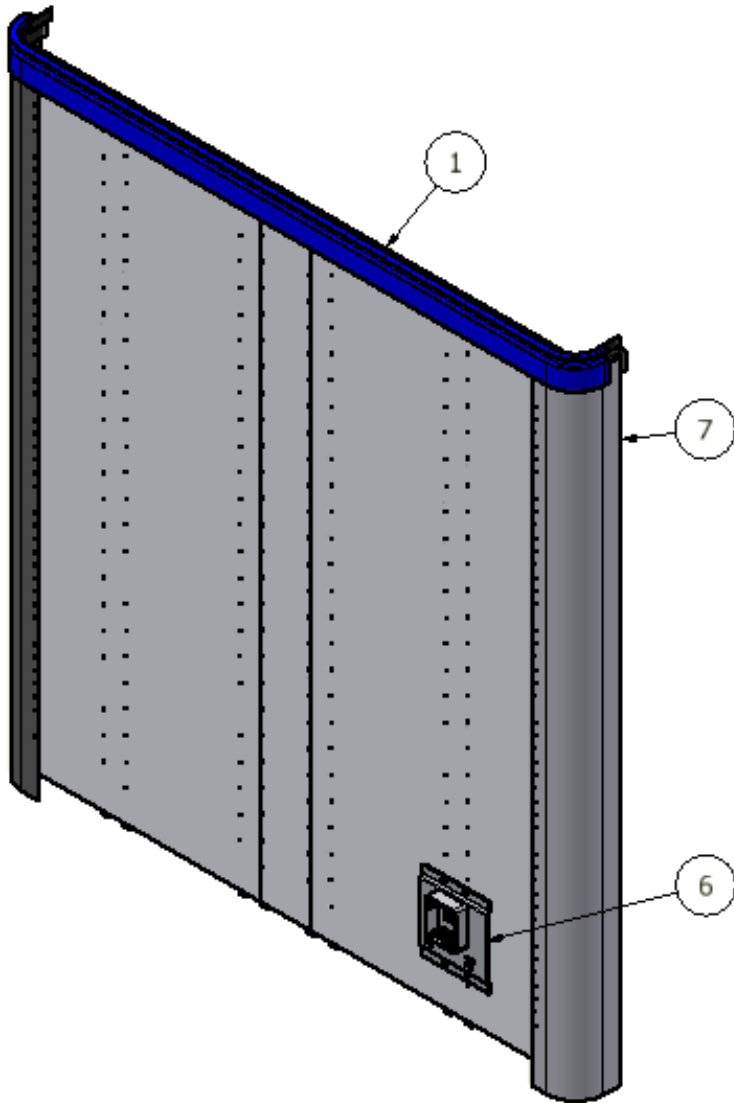


PARTS LIST			
ITEM	QTY	PART NUMBER	DESCRIPTION
1	1	320N041	L.L. CROSS MEMBER ASSEMBLY
2	2	350N048 -G	L.L. SKIRT SUB-ASSEMBLY



# FORWARD WALL ASSEMBLY, 28'

## 410M126

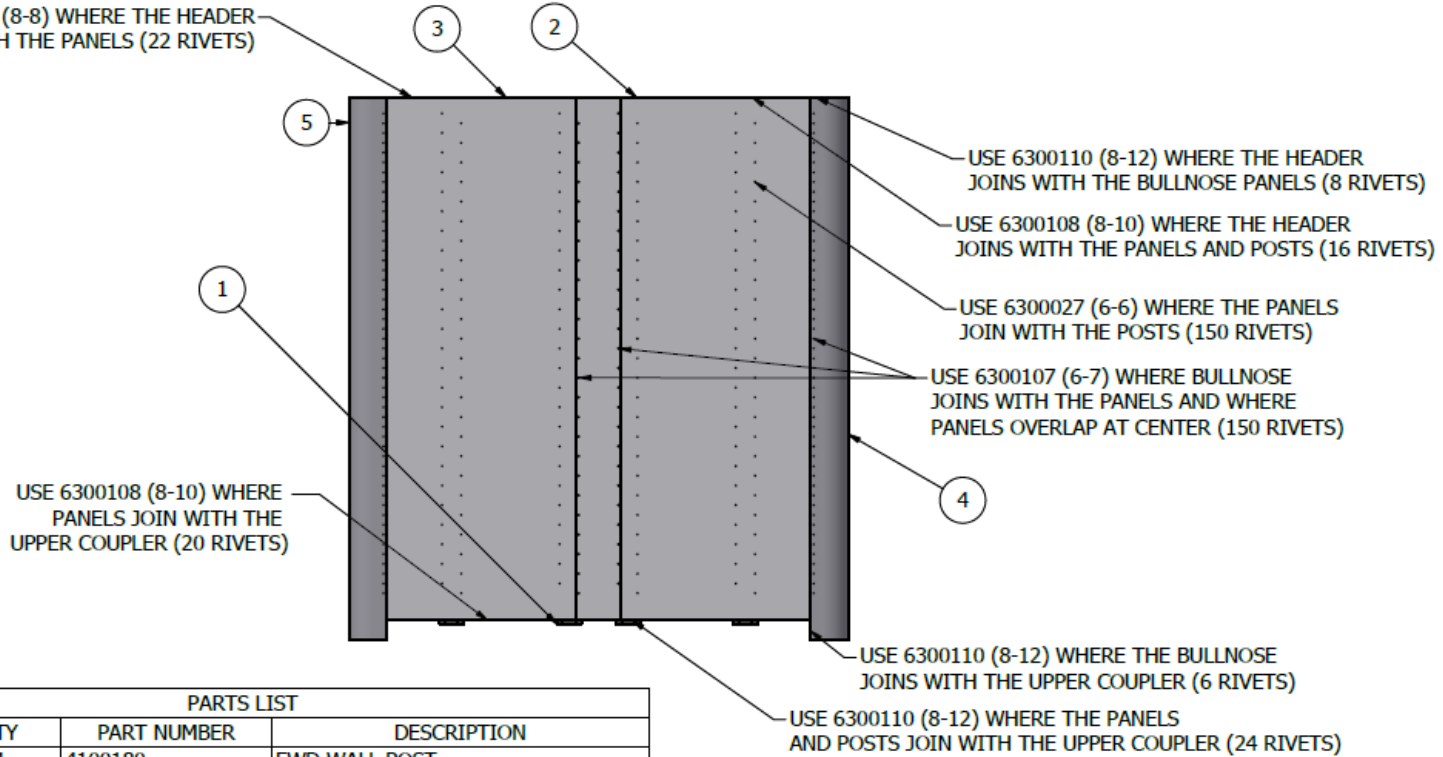


PARTS LIST			
ITEM	QTY	PART NUMBER	DESCRIPTION
1	1	4100129	FWD WALL HEADER
2	2	4100407	UPPER RAIL SUPPORT
3	2	4100430	BULLNOSE SHIM
4	1	410N144	FORWARD WALL SCUFF LINER
5	1	410N146	FWD WALL LINER - 28'
6	1	410N149	AIR KIT PLATE ASSEMBLY
7	1	410N150	FWD WALL PANEL ASSY - 28'
8	1	410N151	HORIZONTAL TRACK ASSEMBLY

# FWD WALL PANEL ASSY, 28'

## 410N150

USE 6300112 (8-8) WHERE THE HEADER JOINS WITH THE PANELS (22 RIVETS)



USE 6300108 (8-10) WHERE PANELS JOIN WITH THE UPPER COUPLER (20 RIVETS)

USE 6300110 (8-12) WHERE THE HEADER JOINS WITH THE BULLNOSE PANELS (8 RIVETS)

USE 6300108 (8-10) WHERE THE HEADER JOINS WITH THE PANELS AND POSTS (16 RIVETS)

USE 6300027 (6-6) WHERE THE PANELS JOIN WITH THE POSTS (150 RIVETS)

USE 6300107 (6-7) WHERE BULLNOSE JOINS WITH THE PANELS AND WHERE PANELS OVERLAP AT CENTER (150 RIVETS)

USE 6300110 (8-12) WHERE THE BULLNOSE JOINS WITH THE UPPER COUPLER (6 RIVETS)

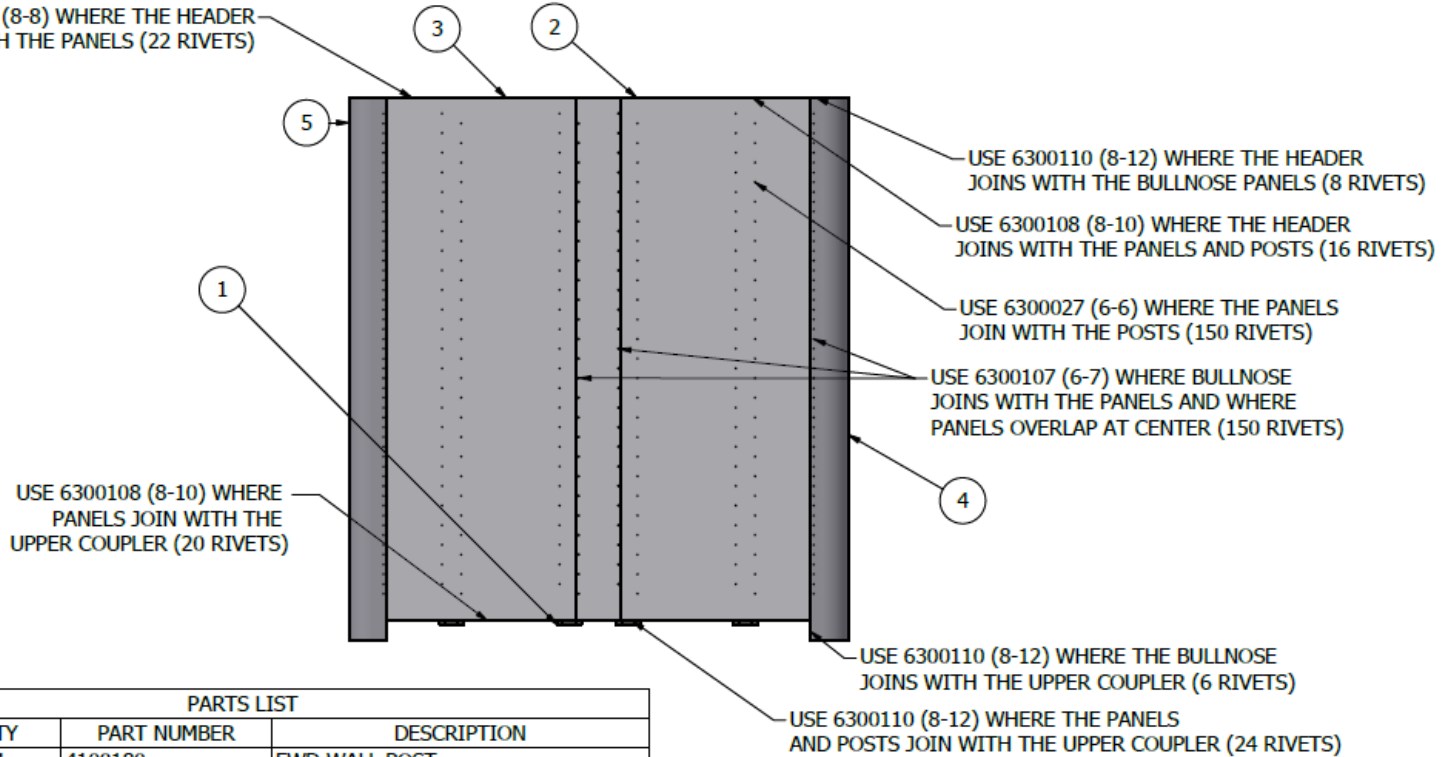
USE 6300110 (8-12) WHERE THE PANELS AND POSTS JOIN WITH THE UPPER COUPLER (24 RIVETS)

PARTS LIST			
ITEM	QTY	PART NUMBER	DESCRIPTION
1	4	4100180	FWD WALL POST
2	1	4100550	FORWARD WALL PANEL - R/S
3	1	4100551	FORWARD WALL PANEL - C/S
4	1	4100552	BULLNOSE EXTRUSION - R/S
5	1	4100553	BULLNOSE EXTRUSION - C/S
6	2	6000363	BOLT, 3/8"-16 x 1 1/4"
7	2	6000364	BOLT, 3/8"-16 x 1 3/4"
8	4	6100377	NUT, 3/8"-16
9	0.290 lb	6300027	RIVET, SOLID - AN455AD 6-6
10	0.313 lb	6300107	RIVET, SOLID - AN455AD 6-7
11	0.185 lb	6300108	RIVET, SOLID - AN455AD 8-10
12	0.219 lb	6300110	RIVET, SOLID - AN455AD 8-12
13	0.099 lb	6300112	RIVET, SOLID - AN455AD 8-8

# FORWARD WALL LINER ASSEMBLY, 28'

## 410N146

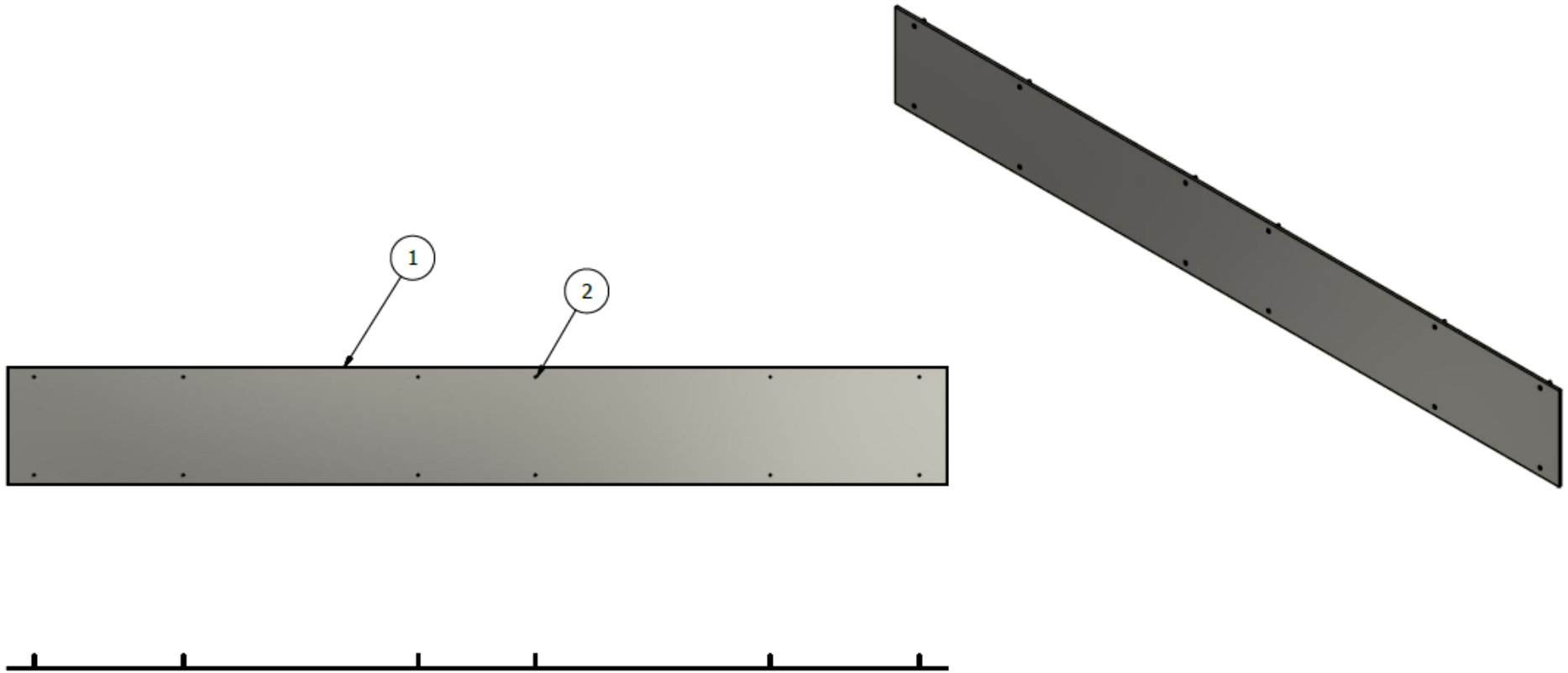
USE 6300112 (8-8) WHERE THE HEADER JOINS WITH THE PANELS (22 RIVETS)



PARTS LIST			
ITEM	QTY	PART NUMBER	DESCRIPTION
1	4	4100180	FWD WALL POST
2	1	4100550	FORWARD WALL PANEL - R/S
3	1	4100551	FORWARD WALL PANEL - C/S
4	1	4100552	BULLNOSE EXTRUSION - R/S
5	1	4100553	BULLNOSE EXTRUSION - C/S
6	2	6000363	BOLT, 3/8"-16 x 1 1/4"
7	2	6000364	BOLT, 3/8"-16 x 1 3/4"
8	4	6100377	NUT, 3/8"-16
9	0.290 lb	6300027	RIVET, SOLID - AN455AD 6-6
10	0.313 lb	6300107	RIVET, SOLID - AN455AD 6-7
11	0.185 lb	6300108	RIVET, SOLID - AN455AD 8-10
12	0.219 lb	6300110	RIVET, SOLID - AN455AD 8-12
13	0.099 lb	6300112	RIVET, SOLID - AN455AD 8-8

# FORWARD WALL SCUFF LINER

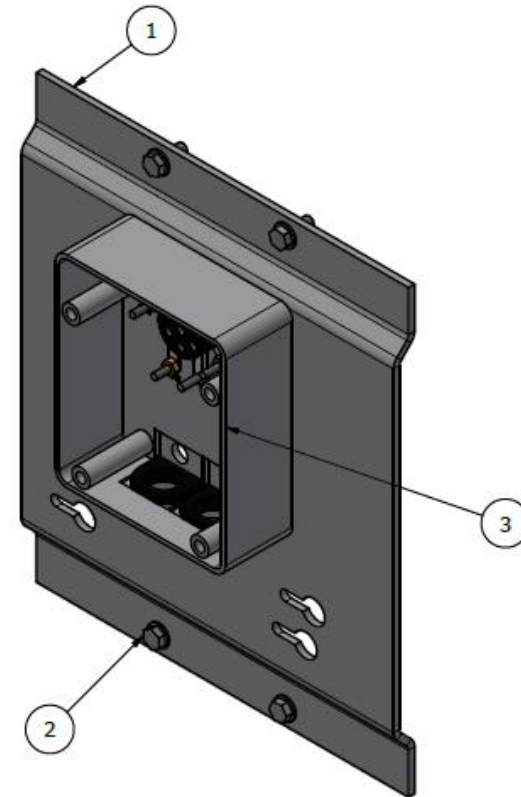
## 410N144



PARTS LIST			
ITEM	QTY	PART NUMBER	DESCRIPTION
1	1	4100064	FORWARD WALL KICK PLATE
2	12	6400214	SCREW, 1/4-20 x 1 1/2" FLOOR TORX HEAD

# AIR KIT PLATE ASSEMBLY

## 410N149

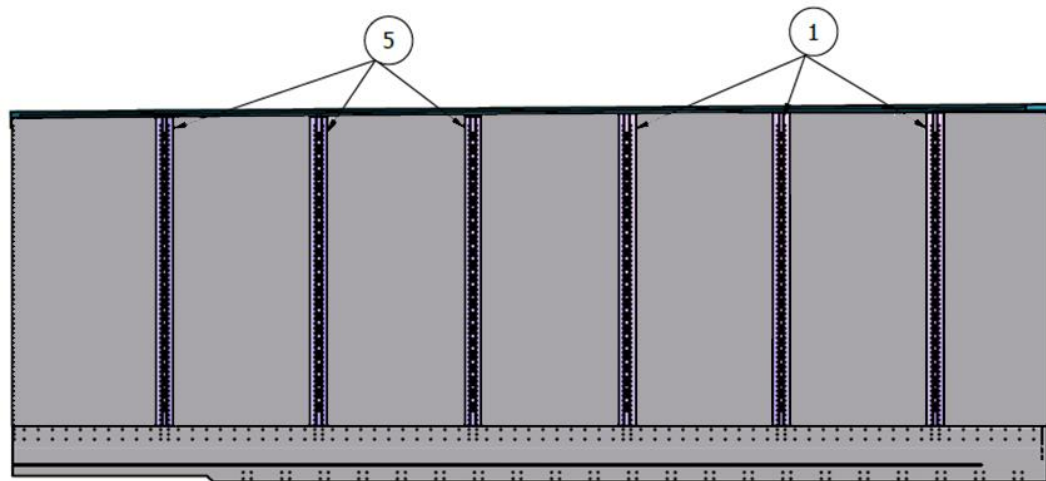
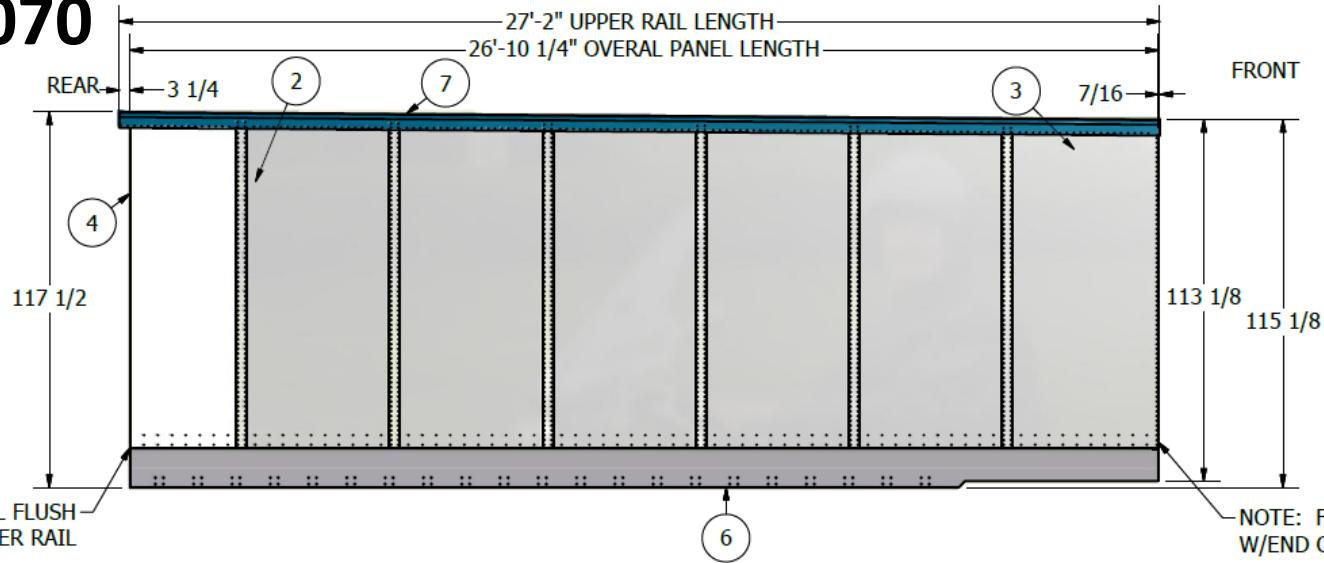


PARTS LIST			
ITEM	QTY	PART NUMBER	DESCRIPTION
1	1	4100700	AIR KIT PLATE
2	4	6000312	5/16"-18 x 3/4" ROLOC SELF TAPPING SCREW
3	1	8000943	7-WAY SMART BOX (PART OF 800N344)

# C/S SIDEWALL ASSEMBLY, 28' NATURAL INNER SURFACE

## 421N070

NOTE: OUTSIDE OF WALL SHOWN

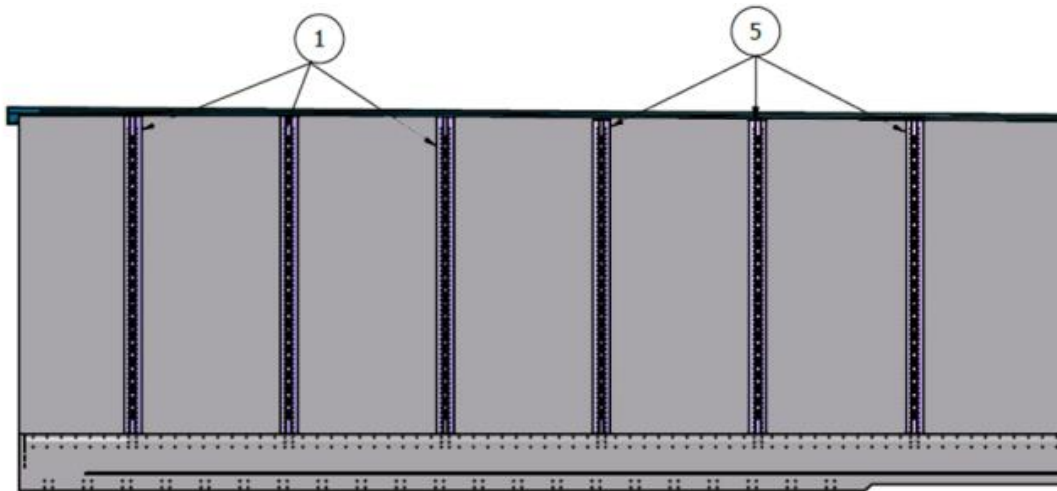
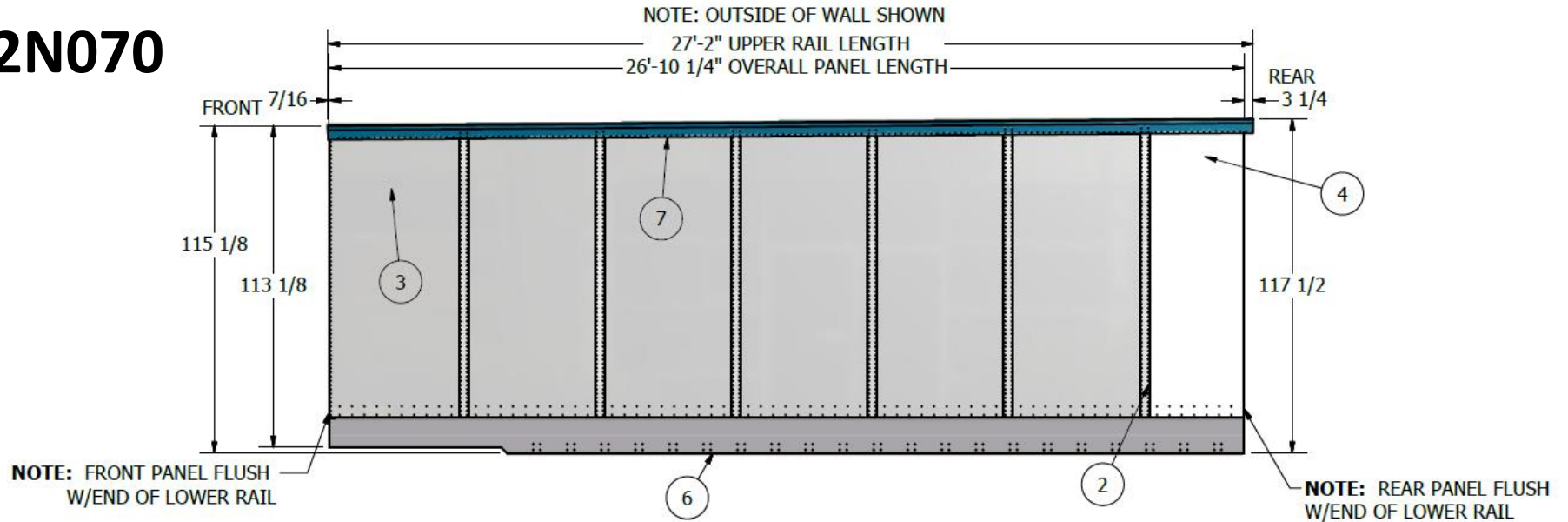


NOTE: INSIDE OF WALL SHOWN

PARTS LIST			
ITEM	QTY	PART NUMBER	DESCRIPTION
1	3	4201116	LOGISTIC SIDEWALL POST
2	6	4201118	OUTER STRIP, PUNCHED
3	6	4201186	COMPOSITE SIDEWALL PANEL
4	1	4201188	REAR SIDEWALL PANEL
5	3	4201216	LOGISTIC SIDEWALL POST
6	1	4202012	LOWER RAIL, C/S
7	1	4203012	28' UPPER RAIL - C/S
8	93	6000352	PIN, HUCK C6LB-R12-6GA ZINC
9	18	6000363	BOLT, 3/8-16 x 1-1/4 TORX
10	93	6100352	COLLAR, HUCK - GALVANIZED
11	18	6100377	NUT, 3/8-16 NYLOK PLATED
12	0.21 lb	6300097	RIVET, SOLID - AN455AD 8-16
13	0.04 lb	6300098	RIVET, SOLID - AN455AD 8-18
14	3.88 lb	6300108	RIVET, SOLID - AN455AD 8-10
15	1.42 lb	6300110	RIVET, SOLID - AN455AD 8-12
16	1.16 lb	6300129	RIVET, SOLID - AN455AD 8-14

# R/S SIDEWALL ASSEMBLY, 28' NATURAL INNER SURFACE

## 422N070

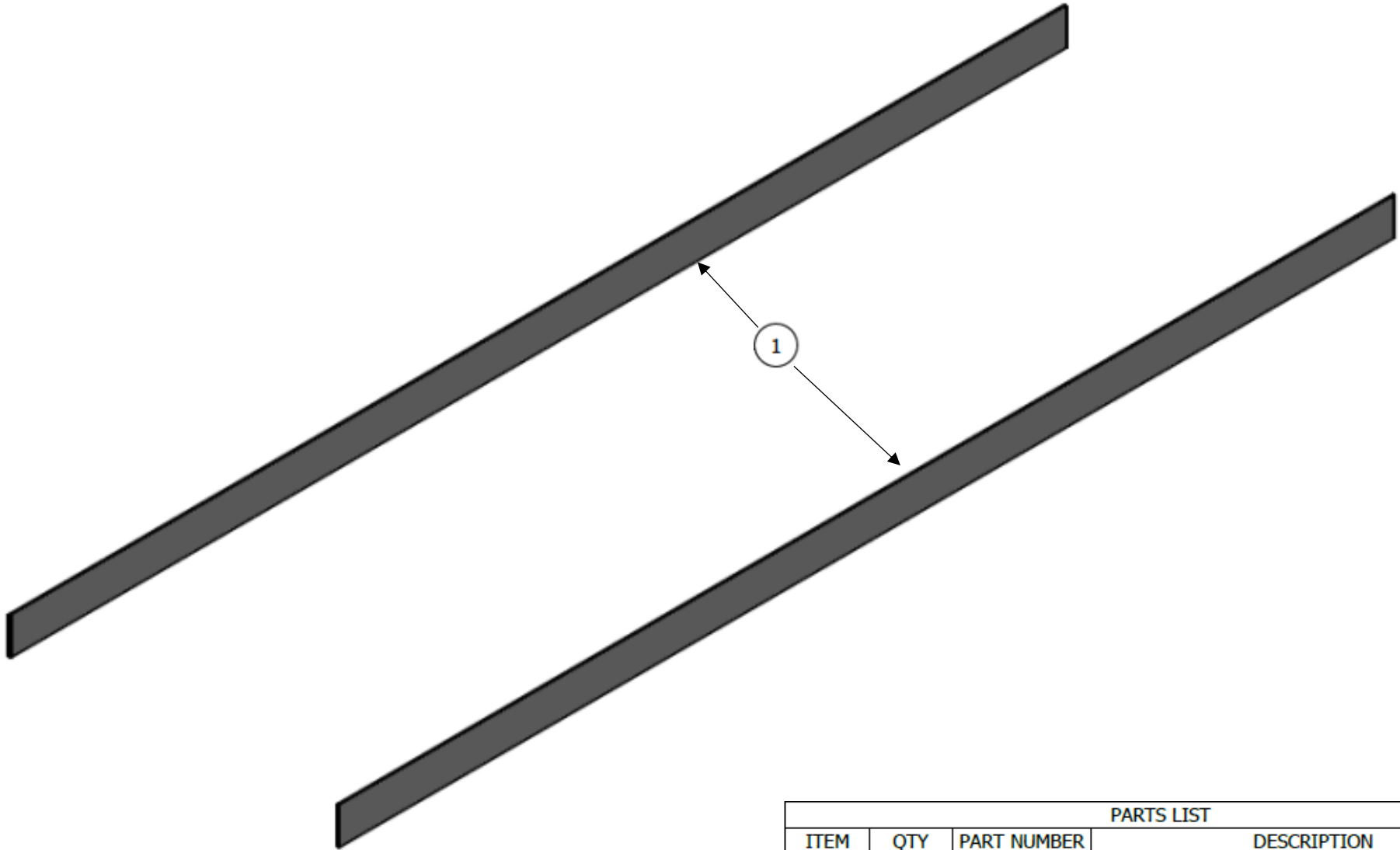


PARTS LIST			
ITEM	QTY	PART NUMBER	DESCRIPTION
1	3	4201116	LOGISTIC SIDEWALL POST
2	6	4201118	OUTER STRIP, PUNCHED
3	6	4201186	COMPOSITE SIDEWALL PANEL
4	1	4201188	REAR SIDEWALL PANEL
5	3	4201216	LOGISTIC SIDEWALL POST
6	1	4202011	LOWER RAIL, R/S
7	1	4203011	28' UPPER RAIL - R/S
8	93	6000352	PIN, HUCK C6LB-R12-6GA ZINC
9	18	6000363	BOLT, 3/8-16 x 1-1/4 TORX
10	93	6100352	COLLAR, HUCK - GALVANIZED
11	18	6100377	NUT, 3/8-16 NYLOK PLATED
12	0.21 lb	6300097	RIVET, SOLID - AN455AD 8-16
13	0.04 lb	6300098	RIVET, SOLID - AN455AD 8-18
14	3.88 lb	6300108	RIVET, SOLID - AN455AD 8-10
15	1.42 lb	6300110	RIVET, SOLID - AN455AD 8-12
16	1.16 lb	6300129	RIVET, SOLID - AN455AD 8-14



# SIDEWALL SCUFF LINER ASSEMBLY, LTL28'

420N330

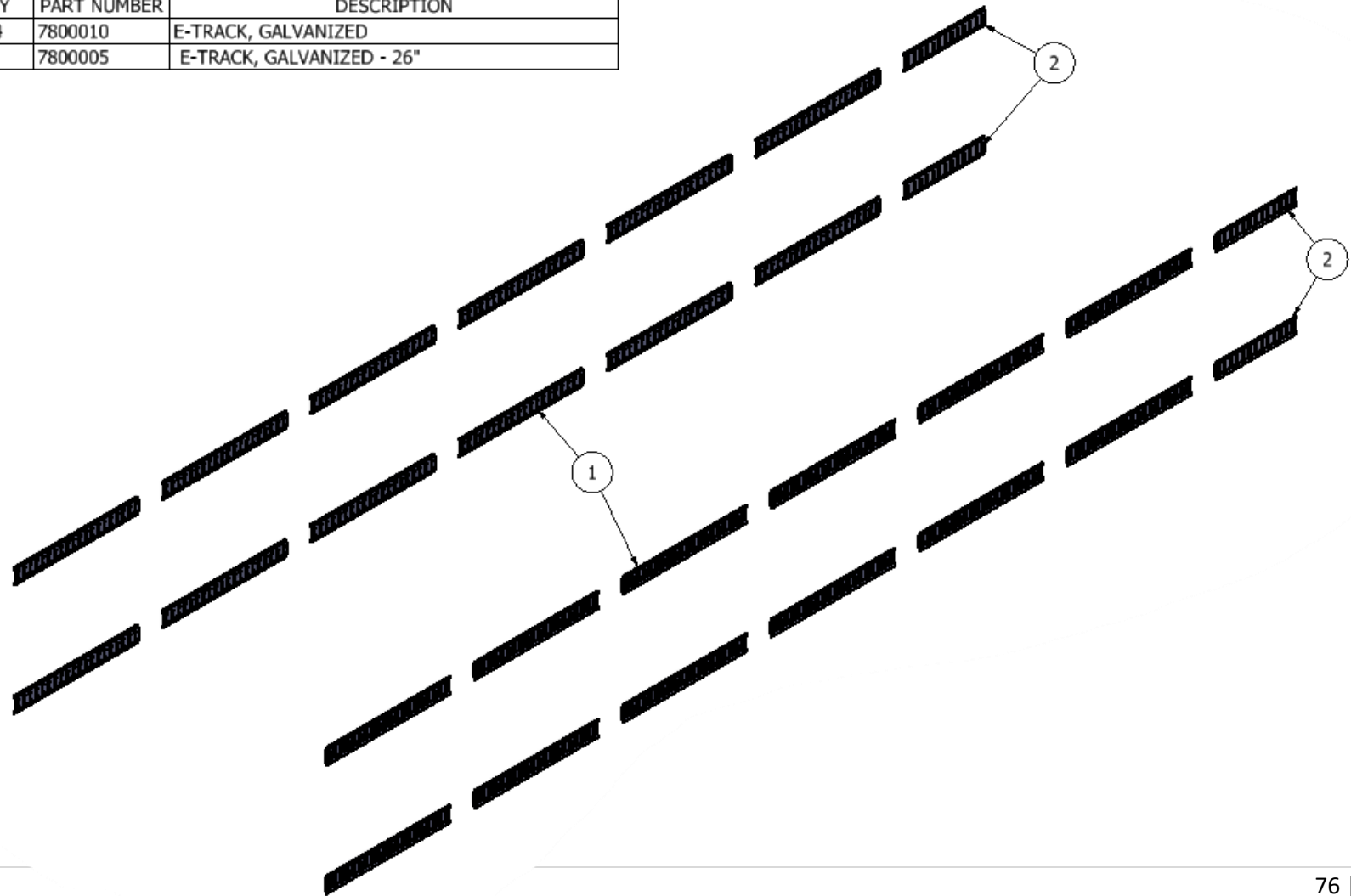


PARTS LIST			
ITEM	QTY	PART NUMBER	DESCRIPTION
1	2	4200669	SCUFFBOARD, PLASTIC 12"
2	28	6000411	PIN, HUCKTAINER - 18 WHITE
3	28	6000412	PIN, HUCKTAINER - 14 NATURAL
4	56	6100411	COLLAR, HUCKTAINER - MEDIUM

# E-TRAK ASSEMBLY, LTL28' LIFTGATE

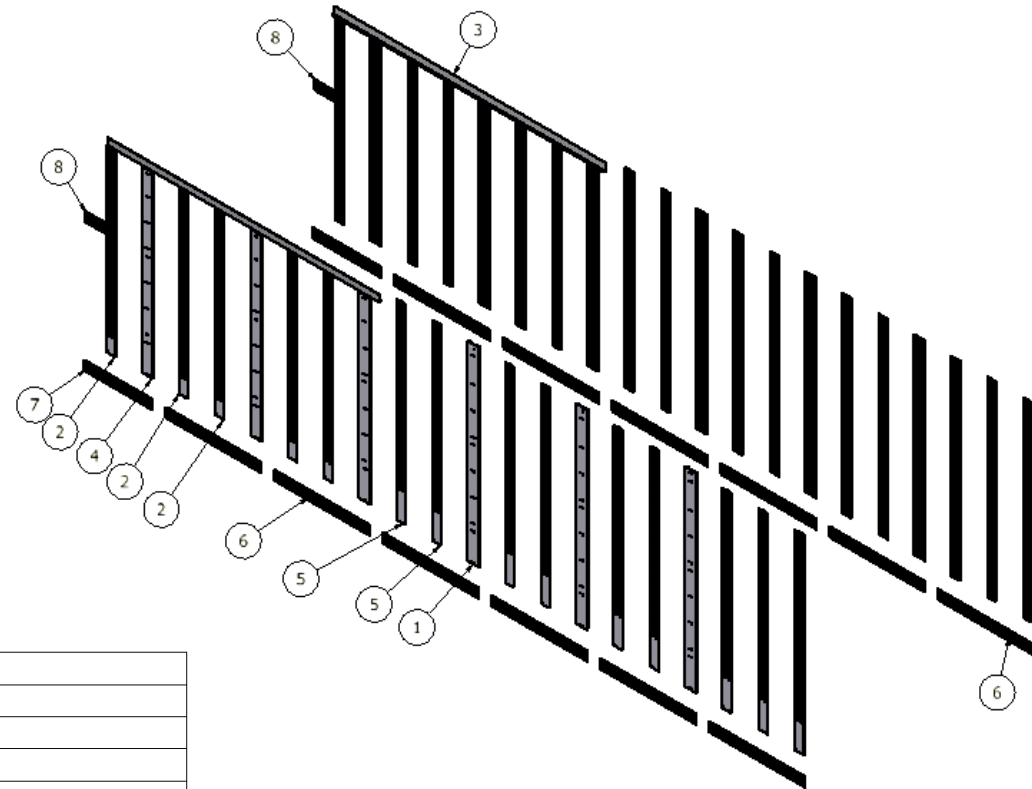
## 420N203

PARTS LIST			
ITEM	QTY	PART NUMBER	DESCRIPTION
1	24	7800010	E-TRACK, GALVANIZED
2	4	7800005	E-TRACK, GALVANIZED - 26"



# ANCRA LIFT-A-DECK, LTL28' EXTENDED TRACK

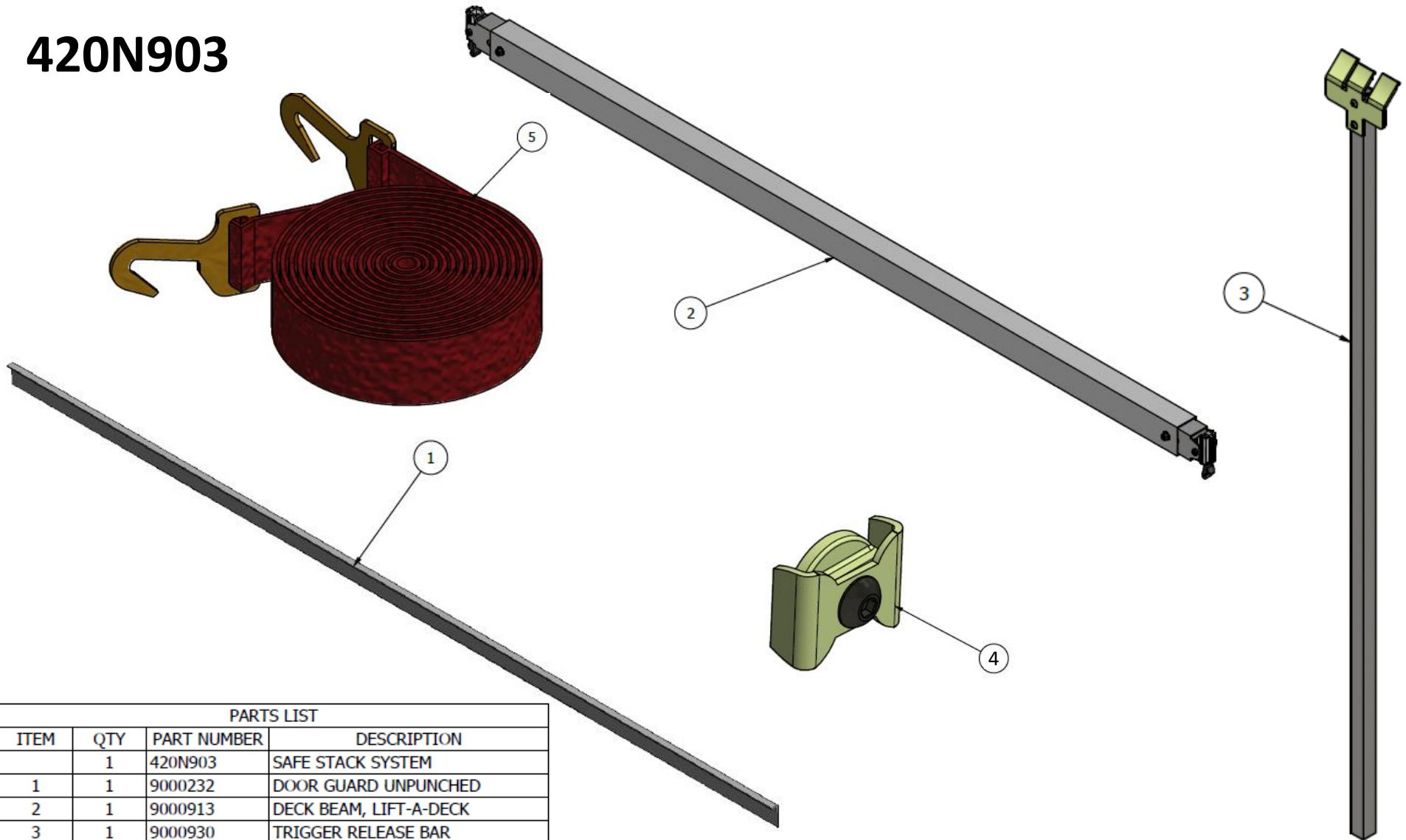
## 420N915



PARTS LIST			
ITEM	QTY	PART NUMBER	DESCRIPTION
1	6	9002248	ANCRA-84" DOUBLE TRACK
2	10	9002227	ANCRA 78.75" SINGLE TRACK
3	2	9000232	DOOR GUARD, UNPUNCHED
4	6	9002239	ANCRA 78.75" DOUBLE TRACK
5	18	9002236	ANCRA 84.00" SINGLE TRACK
6	12	9002220	HORIZONTAL TRACK, BOTTOM ROW
7	2	9002221	HORIZONTAL TRACK, BOTTOM REAR
8	2	9002222	STRAP HOLDER

# SAFE STACK SYSTEM

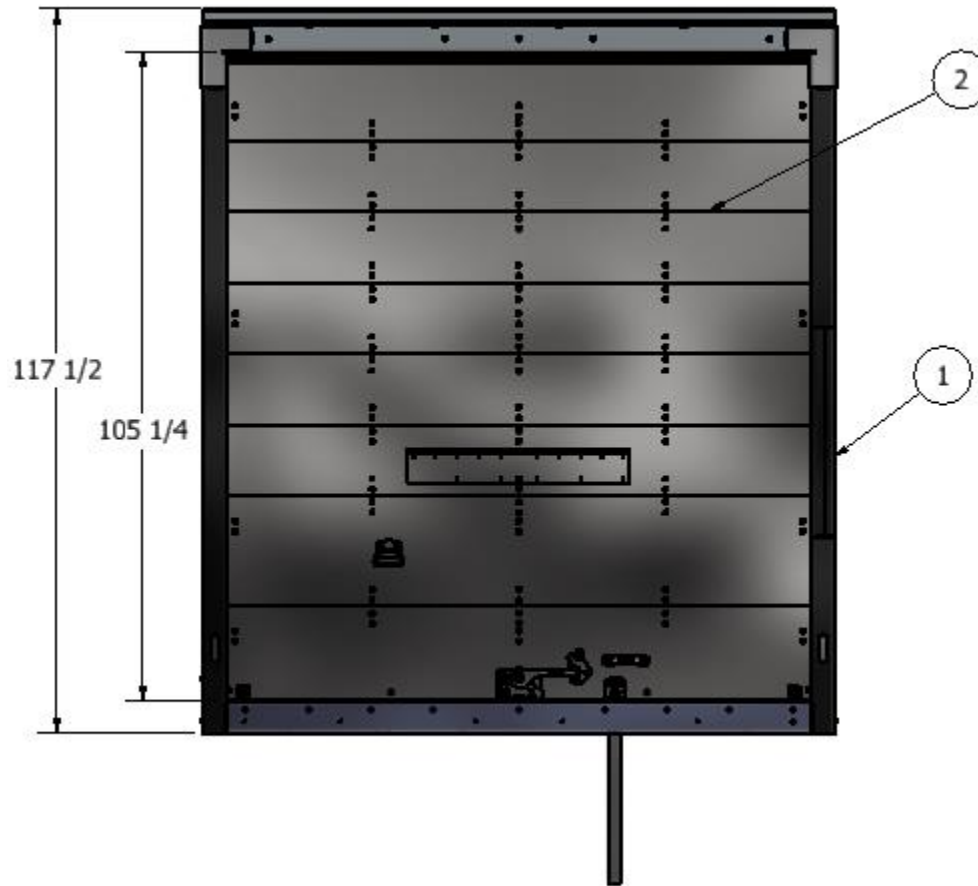
## 420N903



PARTS LIST			
ITEM	QTY	PART NUMBER	DESCRIPTION
	1	420N903	SAFE STACK SYSTEM
1	1	9000232	DOOR GUARD UNPUNCHED
2	1	9000913	DECK BEAM, LIFT-A-DECK
3	1	9000930	TRIGGER RELEASE BAR
4	1	9000931	BEAM STOP
5	1	9000932	CARGO STRAP

# ROLL UP DOOR ASSEMBLY

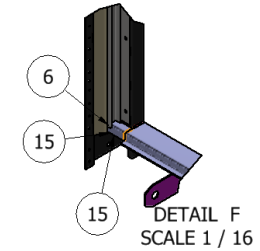
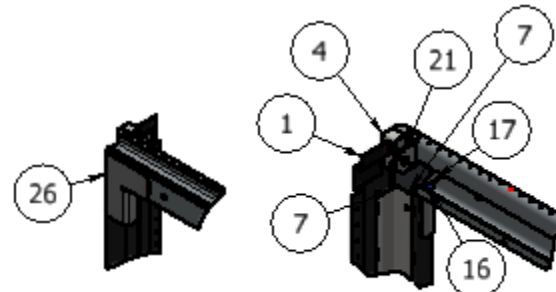
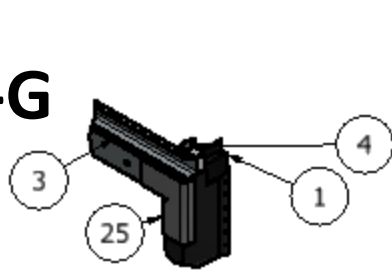
## 500M113



PARTS LIST			
ITEM	QTY	PART NUMBER	DESCRIPTION
1	1	430M041 -G	DOOR FRAME ASSEMBLY
3	20	6300158 -G	RIVET, POP - SSD86SSBS (1/4" D x 3/8" L)
2	1	4300649 -G	DOOR, ROLL-UP, 3/8" COMPOSITE

# DOOR FRAME ASSEMBLY

## 430M041-G

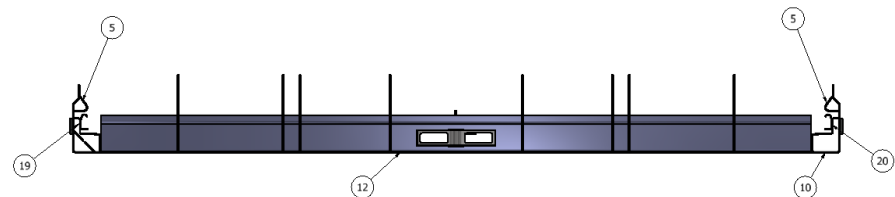
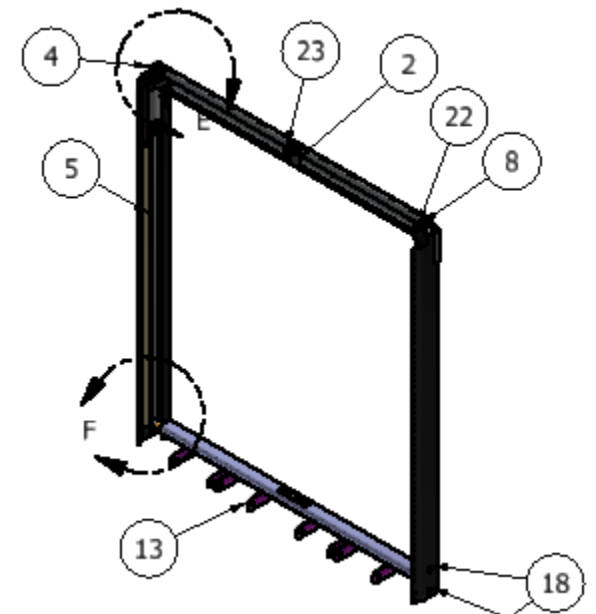
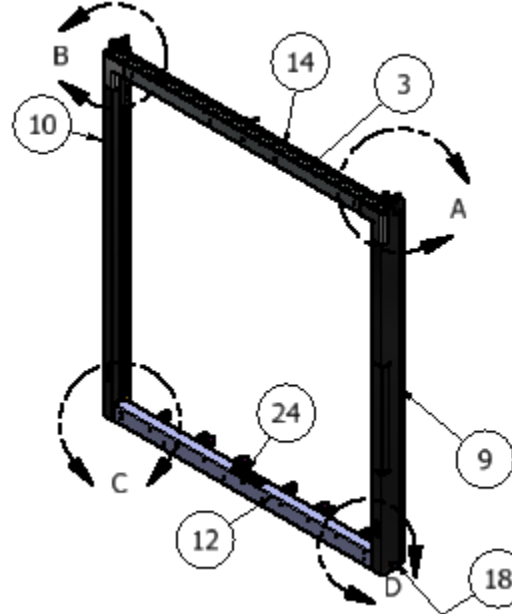


PARTS LIST			
ITEM	QTY	PART NUMBER	DESCRIPTION
1	2	4100407	SUPPORT, UPPER RAIL 53'
2	1	4300119	BRACKET, CENTER SPRING
3	1	4300206	ANGLE, RAIN GUTTER - CARBON
4	1	4300564	C/S DOOR FRAME GUSSET
5	2	4300582	DOOR TRACK GUARD
6	2	4300583	DOOR POST SPACER
7	2	4300584	FRONT CORNER GUSSET
8	1	4300590	R/S DOOR FRAME GUSSET
9	1	4300627-G	C/S DOOR POST
10	1	4300628-G	R/S DOOR POST
11	2	4300647	DOOR LATCH PLATE FILLER
12	1	4300654 -G	DOOR SILL, FORMED, LG
13	8	4300655	DOOR SILL GUSSET
14	1	4300979 -G	DOOR HEADER
15	2	4300993	GUSSET, DOOR SILL FILLER
16	2	4306229	HEADER HARNESS PROTECTOR
17	2	4306236	REAR CORNER GUSSET
18	3	43073312	LIGHT GUARD
19	1	50403.013368	C/S VERTICAL TRACK
20	1	50403.023368	R/S VERTICAL TRACK
21	1	59314.1000	C/S SPRING BRACKET
22	1	59314.2000	R/S SPRING BRACKET
23	1	59317	CENTER SPRING BRACKET
24	1	70339	TODCO DOOR LATCH PLATE
25	1	9000025	C/S DOOR FRAME BRACKET
26	1	9000026	R/S DOOR FRAME BRACKET

DETAIL B  
SCALE 1 / 20

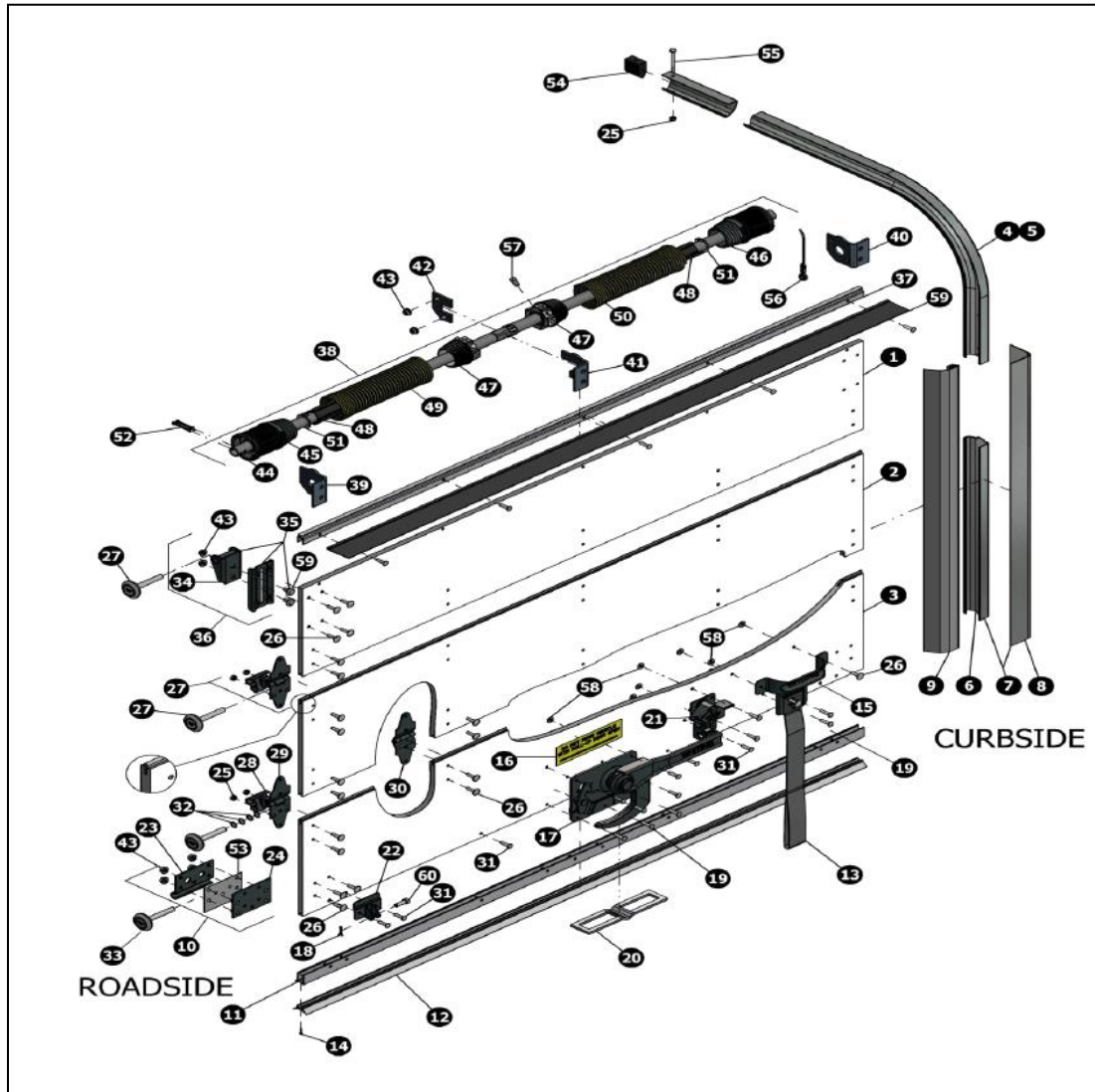
DETAIL E  
SCALE 1 / 16

DETAIL F  
SCALE 1 / 16



# WHITING DOOR ASSEMBLY

4300681 \*REPLACES TODCO







Door	Whiting
Spec #	B-13087 D-23013
Door #	DA26526
Type:	PREMIUM PLATE
Sill to Header	105-1/4"

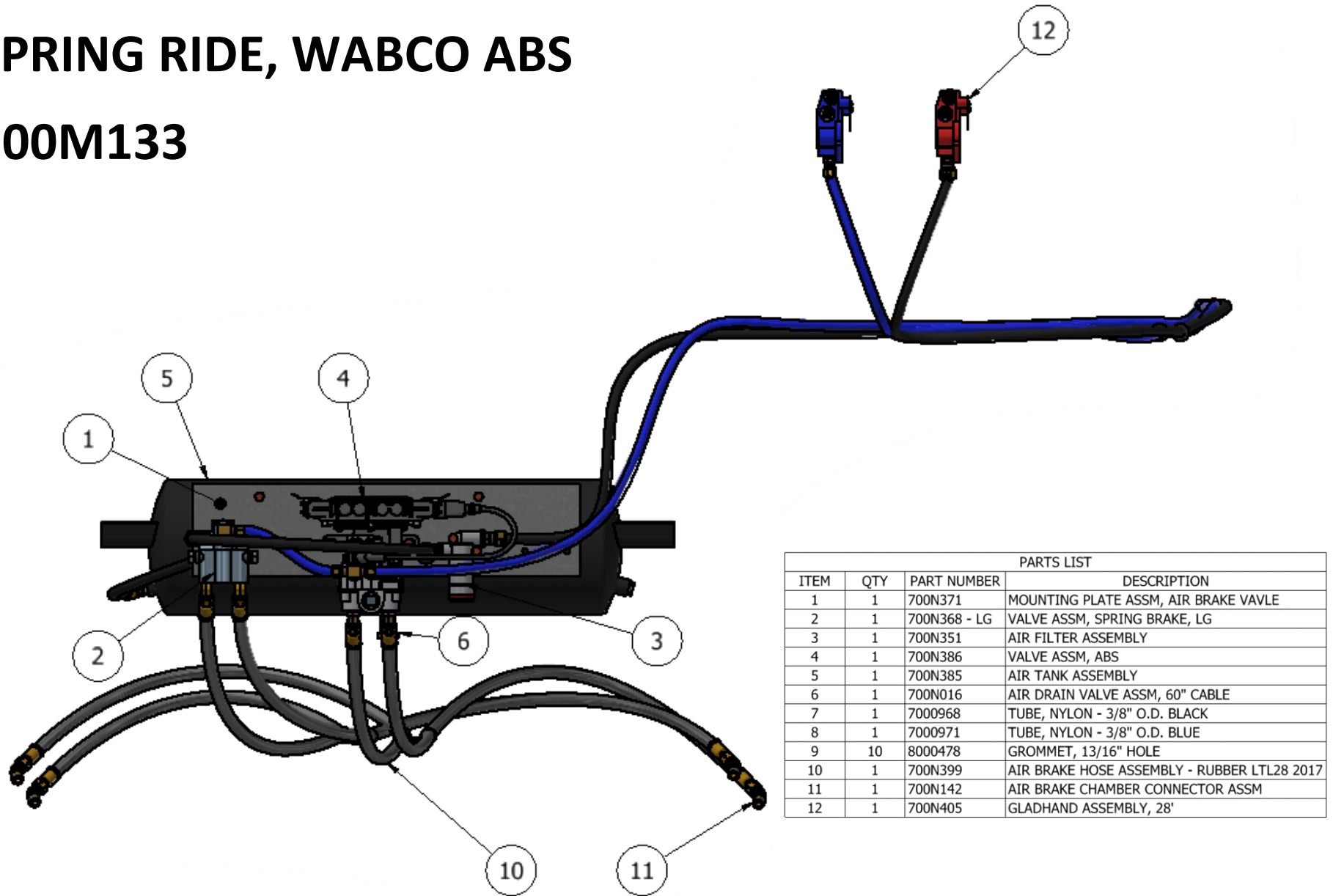
**WHITING PARTS LIST DOOR # 4300681 97-5/8" WIDE**

#	Whiting Part #	Description	#	Whiting Part #	Description
1	16090-1-23087-14.562/97.625	PANEL_PREM PLATE-TOP-CMP-14-9/16 X 97-5/8"	32	6-1	WASHER,FLAT SPACER-STNLS STL
2	16089-1/97.625	PANEL_PREM PLT INT-11-1/2 X 97-5/8"	33	2996	ROLLER,ASSEMBLY STEEL-2"
2	16089-1-13087/97.625	PANEL_PREM PLT INT-11-1/2 X 97-5/8"9200-15 LIFT PLATE	34	6943-1	BRACKET, TOP CLOSURE-STAINLESS STEEL
2	16089-3-23087/97.625	PANEL_PREM PLT INT-18 X 97-5/8"7358 LIFT HANDLE	35	1264-2	BRACKET, TOP BASE-COMP-W/FAST-STNLS STL
3	16093-5-23087/97.625	PANEL_PREM PLATE-BTM-W/LOCK-97-5/8"	36	6944-1	BRACKET, TOP ASSY(34,35) STNLS STEEL
4	7459/140	TRACK,HORIZ 6-6" RAD-140"-CBSD	37	16095/95.562PRT	ALUM_EXT TOP SEAL RET. 95-9/16" PRETREAT
5	7458/140	TRACK,HORIZ 6-6" RAD-140"-RDSD	38	7176/.225X35X96	BAL_ASSY-.225 X 35 - 96" SHAFT
6	1031/88.5	TRACK,VERTICAL 2 X 88-1/2" RDSD OR CBSD	39	7205	BALANCER,BRACKET-RDSD
7	20315/104.875-1031/90.437	TRACK,VERTICAL ASSY 104-7/8"-RDSD	40	7206	BALANCER,BRACKET-CBSD
7	20316/104.875-1031/90.437	TRACK,VERTICAL ASSY 104-7/8"-CBSD	41	7207	BALANCER,BRACKET-CTR
8	61-104.875	TRACK,MOUNTING ANGLE-104-7/8" RDSD OR CBSD	42	2526	BALANCER,BRACKET-CLAMP ASSY-CENTER
9	19099/105	SEAL,BRUSH SIDE ASSY-105" RDSD OR CBSD	43	10-1063-1	NUT, LOCK 5/16-18 FOR 2526 CLAMP
9	19011/105	SEAL,BRUSH SIDE RETAINER-105" RDSD OR CBSD	43	10-1063-4	NUT, LOCK 5/16-18,STNLS STEEL 5600-3 BRKT
9	5833-4/107	SEAL,BRUSH SIDE -107" RDSD OR CBSD	44	2528/96	BALANCER,SHAFT-FORMED-96"
10	5600-3	BRACKET,BOTTOM-STAINLESS STEEL	45	7097COM	BALANCER,CABLE DRUM-RDSD
11	8174-5/97.625	CHANNEL,BTM ALUM-PREMPATE-97-5/8"	46	7096COM	BALANCER,CABLE DRUM-CBSD
12	5735/98.25	VINYL,SEAL BOTTOM-98-1/4"	47	7549COM	BALANCER,WINDING CONE-W/SCREWS-CBSD
13	6333-61	STRAP,PULL 32"-INSIDE OF PANEL	47	7550COM	BALANCER,WINDING CONE-W/SCREWS-RDSD
14		NAIL	48	7232/35.25	VINYL,SPACER 35-1/4", BLACK RIGID PVC
15	1715WHT	HANDLE,GRAB-POWDER COATED WHITE	49	2712/.225X35	SPRING,2-5/8"ID .218 X 32"LH (A)
16	232397	DECAL,DO NOT MOVE VEHICLE-NO MASK	50	2713/.225X35	SPRING,2-5/8"ID .218 X 32"RH (A)
17	77WHT	LOCK,ASSEMBLY POWDER COATED WHITE	51	2522	BALANCER,PART SPACER WEAR PLATE
18	10-1004-1	PIN,CLEVIS 5/16 X 1"	52	10-1009-8	PIN,COTTER 3/16 X 1-1/2"
19	10-1002-68	RIVET,STNLS STL 1/4 X 1-1/32 X 1/2"HEAD	53	5504	BRACKET,BTM WEAR PLATE-STNLS STEEL
20	2804	LATCH PLATE	54	83	TRACK,STOP EPDM, 2" TRACK-DRILLED
21	7515WHT	KEEPER,ASSY-POWDER COATED WHITE	55	10-1010-3	CAPSCREW, 1/4"-20X2-1/2"
22	5803WHT	CABLE,ANCHOR ASSY-POWDER COATED WHITE	56	1-4	CABLE,ASSEMBLY-130"
23	5502-2	BRACKET,BTM ROLLER COVER-STNLS STL	57	2699	SCREW,SET 3/8-16 HEX HEAD
24	5509-1	BRACKET,BTM BASE ASSY-W/STUDS-STNLS STEEL	58	10-1006-9	WASHER,FLAT STNLS STL
25	10-1095-1	NUT,HEX W/NYLON INSERT 1/4-20	59	7552/99	VINYL,SEAL TOP-99"
26	10-1002-85	RIVET,STNLSSTL1/4X13/16"X11/16"HEAD	60	10-1004-1	PIN,CLEVIS 5/16 X 1"
27	1209-1	HINGE,END-W/COVER-NOT ASSEMBLD-STNLS STEEL			
28	1208-1	HINGE,PART-ROLLER-COVER-STAINLESS STEEL			
29	1207-1	HINGE,END ASSEMBLY-WSTUDS-STNLS STEEL			
30	15-1	HINGE,CENTER-STAINLESS STEEL			
31	10-1002-84	RIVET,STNLSSTL1/4X15/16"X11/2"HEAD			
				Not Shown:	
			7358WHT	LIFT HANDLE POWDER CTD WHITE	
			9200-15	FORKLIFT POWDER CTD WHITE	

# AIR BRAKE ASSEMBLY, LTL 28' LIFTGATE

## SPRING RIDE, WABCO ABS

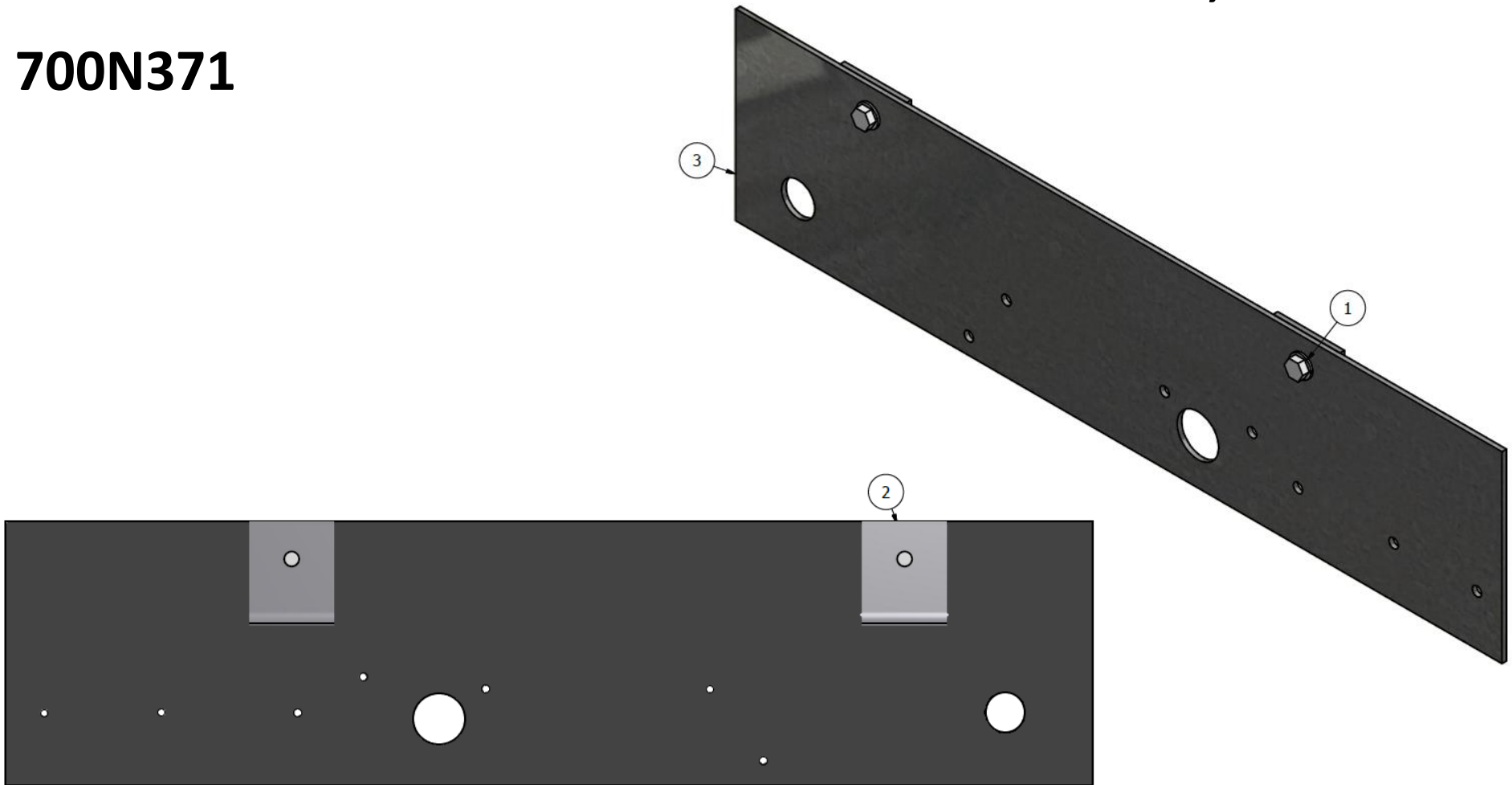
700M133



PARTS LIST			
ITEM	QTY	PART NUMBER	DESCRIPTION
1	1	700N371	MOUNTING PLATE ASSM, AIR BRAKE VAVLE
2	1	700N368 - LG	VALVE ASSM, SPRING BRAKE, LG
3	1	700N351	AIR FILTER ASSEMBLY
4	1	700N386	VALVE ASSM, ABS
5	1	700N385	AIR TANK ASSEMBLY
6	1	700N016	AIR DRAIN VALVE ASSM, 60" CABLE
7	1	7000968	TUBE, NYLON - 3/8" O.D. BLACK
8	1	7000971	TUBE, NYLON - 3/8" O.D. BLUE
9	10	8000478	GROMMET, 13/16" HOLE
10	1	700N399	AIR BRAKE HOSE ASSEMBLY - RUBBER LTL28 2017
11	1	700N142	AIR BRAKE CHAMBER CONNECTOR ASSM
12	1	700N405	GLADHAND ASSEMBLY, 28'

# AIR BRAKE VALVE MOUNTING PLATE ASSEMBLY, LTL28'

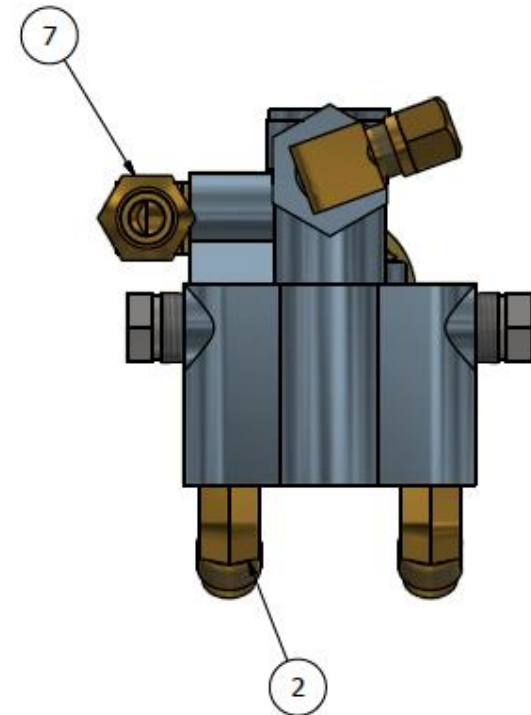
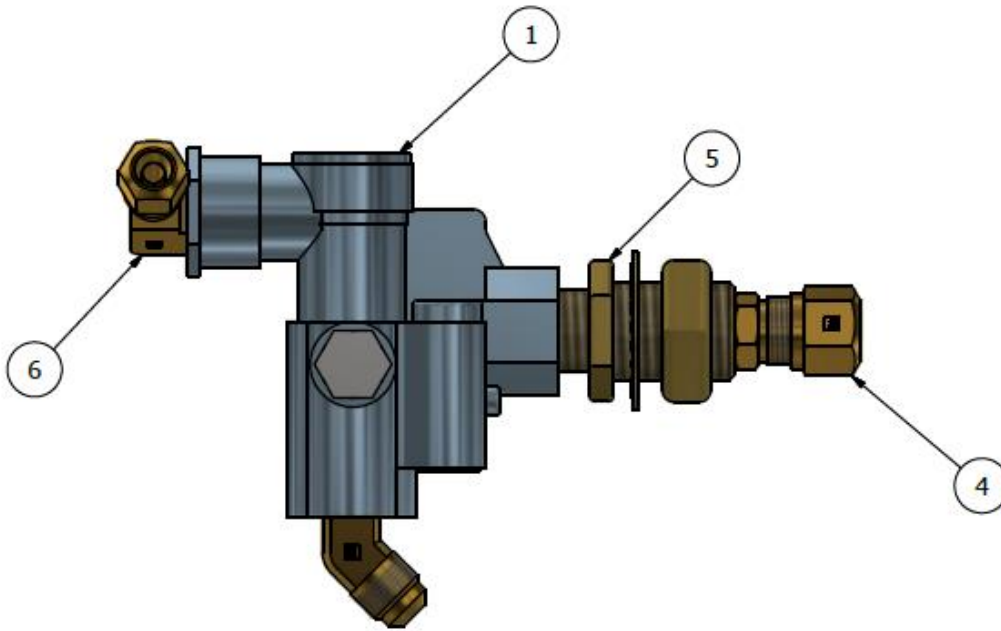
700N371



PARTS LIST			
ITEM	QTY	PART NUMBER	DESCRIPTION
1	2	6000312	BOLT, 5/16"-18 x 3/4" TRILOBULAR SELF TAPPING
2	2	7000063	MOUNTING ANGLE, AIR KIT PLATE
3	1	7000064	MOUNTING PLATE, AIR BRAKE VALVE

# SPRING BRAKE VALVE ASSEMBLY, LTL28'

## 700N368

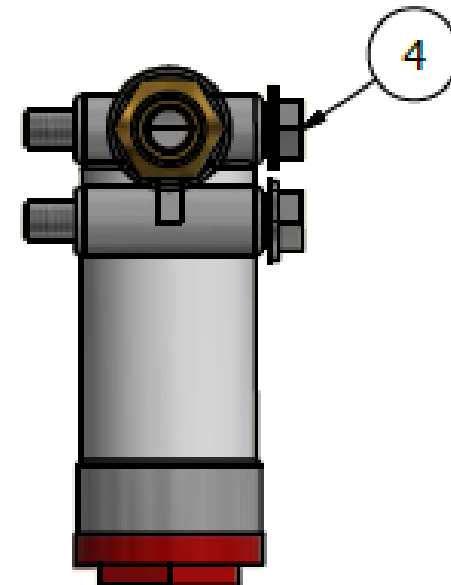
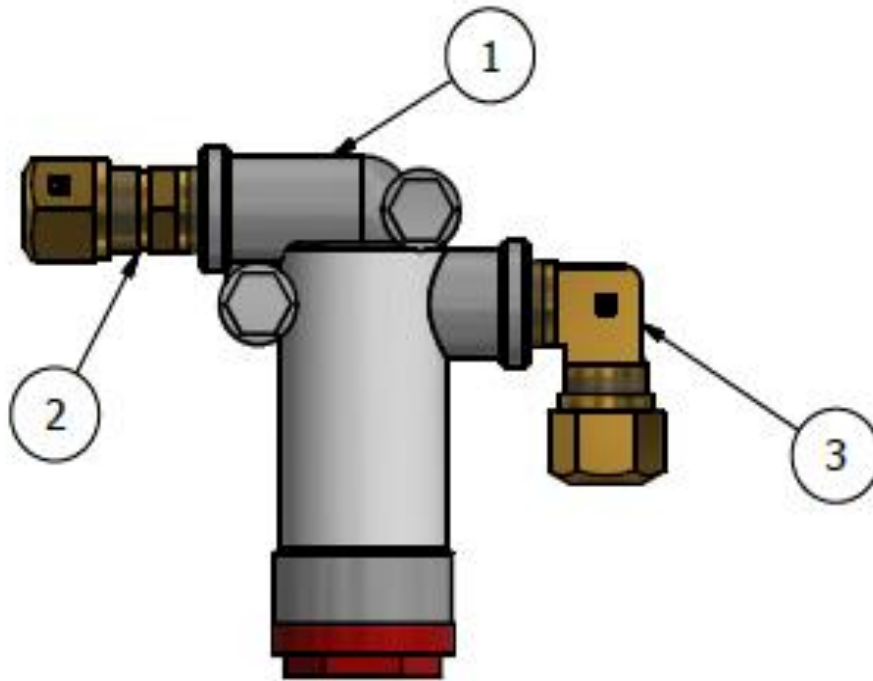


PARTS LIST			
ITEM	QTY	PART NUMBER	DESCRIPTION
1	1	7001213	VALVE, SPRING BRAKE
2	2	7000216	FITTING, 45 DEGREE ELBOW
3	2	7000851	FITTING, PIPE PLUG 3/8"
4	1	7000143	FITTING, MALE 68NTA-8-6
5	1	7000188	CLAMPING STUD, 3/4" X 1/2"
6	1	7045008	FITTING, 90 DEGREE ELBOW VS269NTA-6-6
7	1	7045009	FITTING, 90 DEGREE ELBOW VS269NTA-8-6

VALVE:  
SEALCO 110700

# AIR FILTER ASSEMBLY, LTL28' LIFTGATE

## 700N351

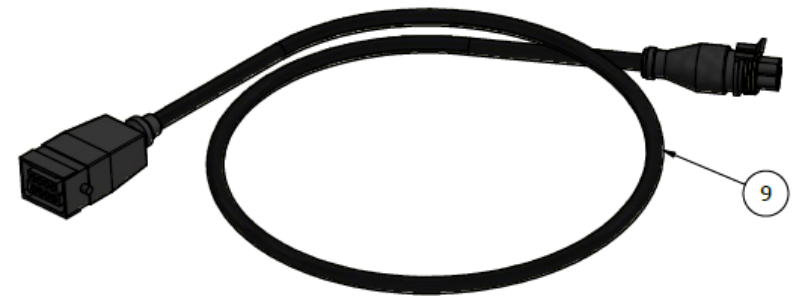
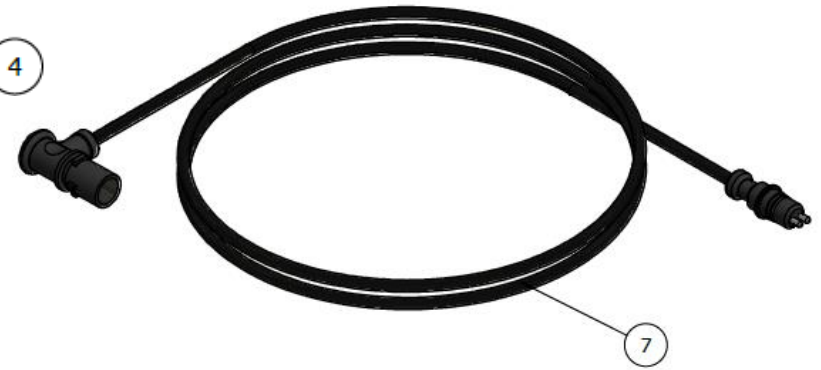
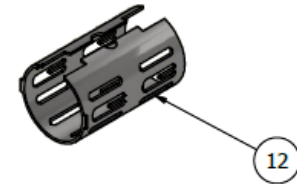
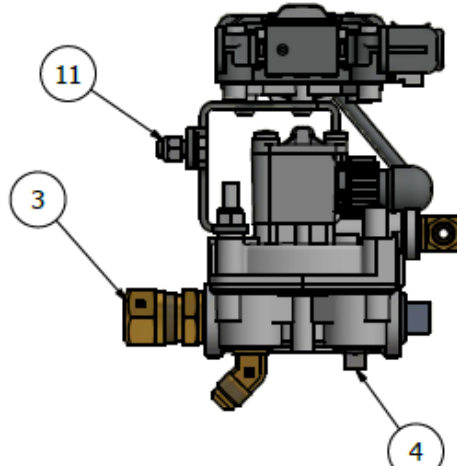
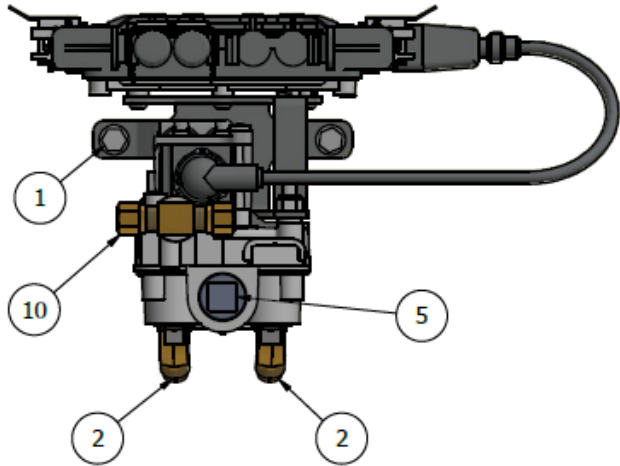


PARTS LIST			
ITEM	QTY	PART NUMBER	DESCRIPTION
	1	700N351	AIR FILTER ASSEMBLY
1	1	7000110	VALVE, FILTER LINE-AIR BRAKE
2	1	7000143	FITTING, MALE CONNECTOR
3	1	7045009	FITTING, ELBOW 90 DEGREE
4	2	6000345	BOLT, 5/16"- 18 x 2"

VALVE:  
SEALCO 2550

# ABS VALVE ASSEMBLY, LTL28' LIFTGATE

## 700N386



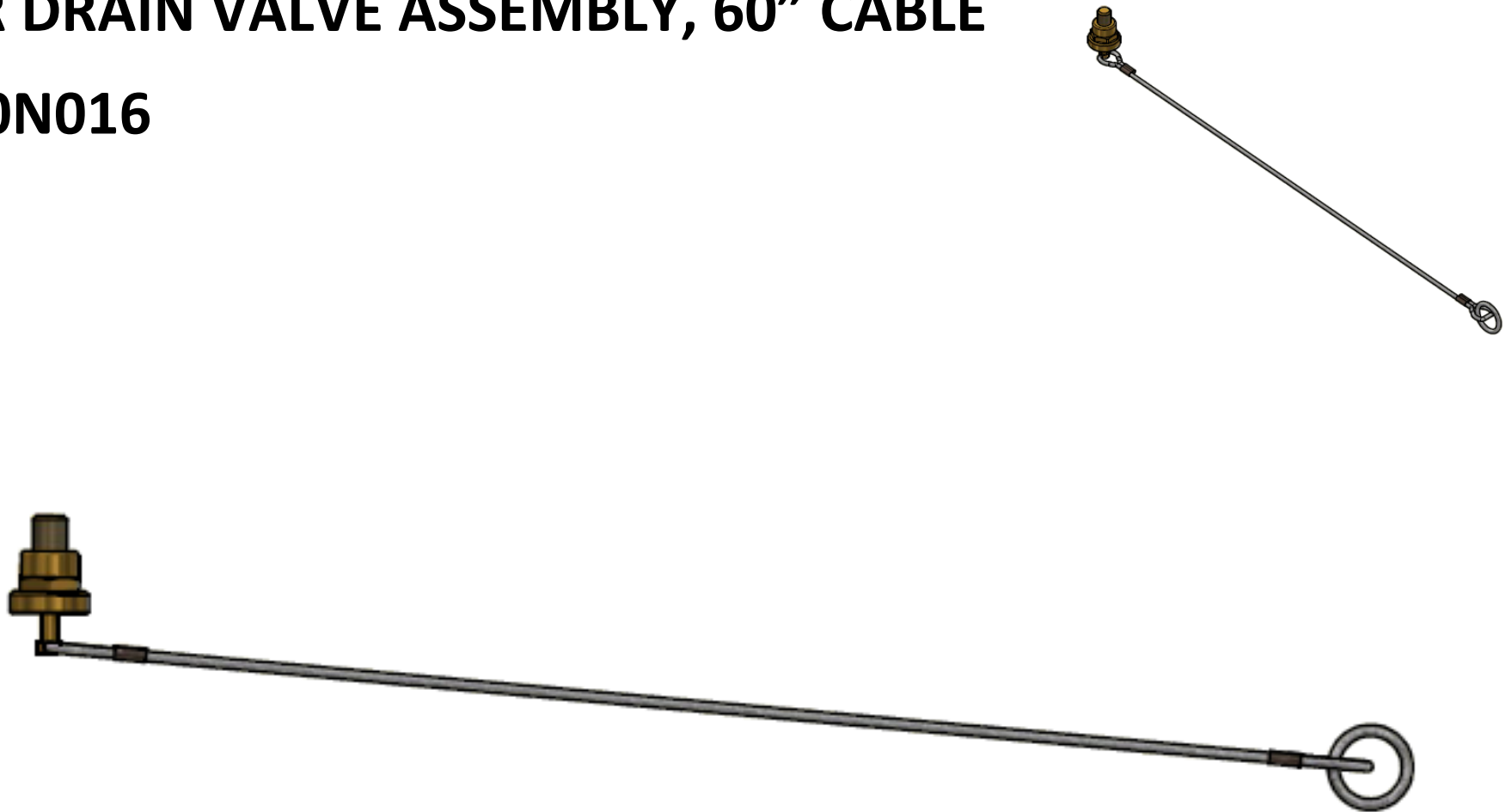
PARTS LIST			
ITEM	QTY	PART NUMBER	DESCRIPTION
	1	700N386	ABS VALVE ASSEMBLY
1	2	6000312	BOLT, 5/16" -18 x 3/4"
2	2	7000216	FITTING, MALE CONNECTOR
3	1	7000217	FITTING, MALE CONNECTOR
4	1	7000851	PIPE PLUG, 3/8"
5	1	7000856	PIPE PLUG, 3/4"
6	2	7001218	SPEED SENSOR, MERITOR
7	2	7001223	ABS, SENSOR WIRE
8	1	7001229	ABS VALVE
9	1	7001232	ABS, POWER HARNESS
10	1	7045014	FITTING, MALE BRANCH TEE
11	2	6100382	NUT, 3/8" - 16 LOCK STOVER
12	2	7001224	ABS, SENSOR CLIP

ABS VALVE:

MERITOR S400-500-101 0

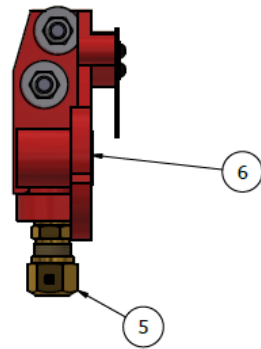
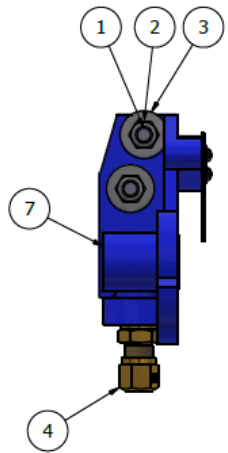
# AIR DRAIN VALVE ASSEMBLY, 60" CABLE

## 700N016





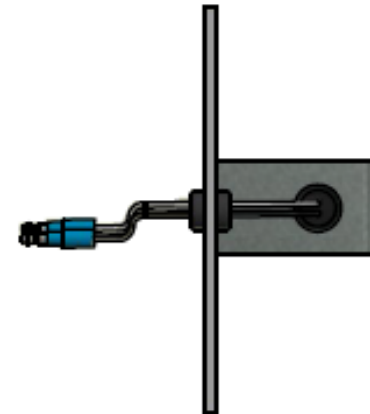
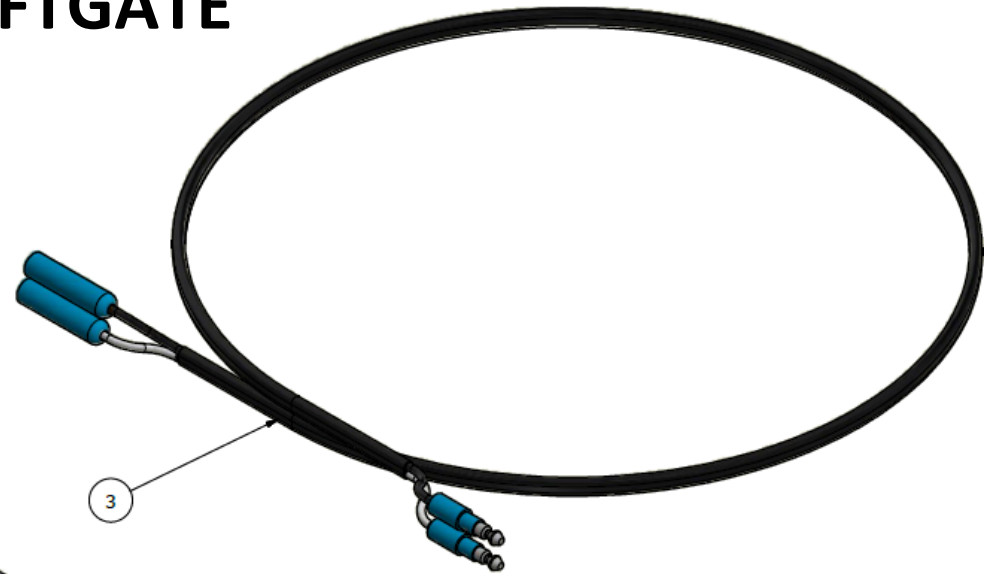
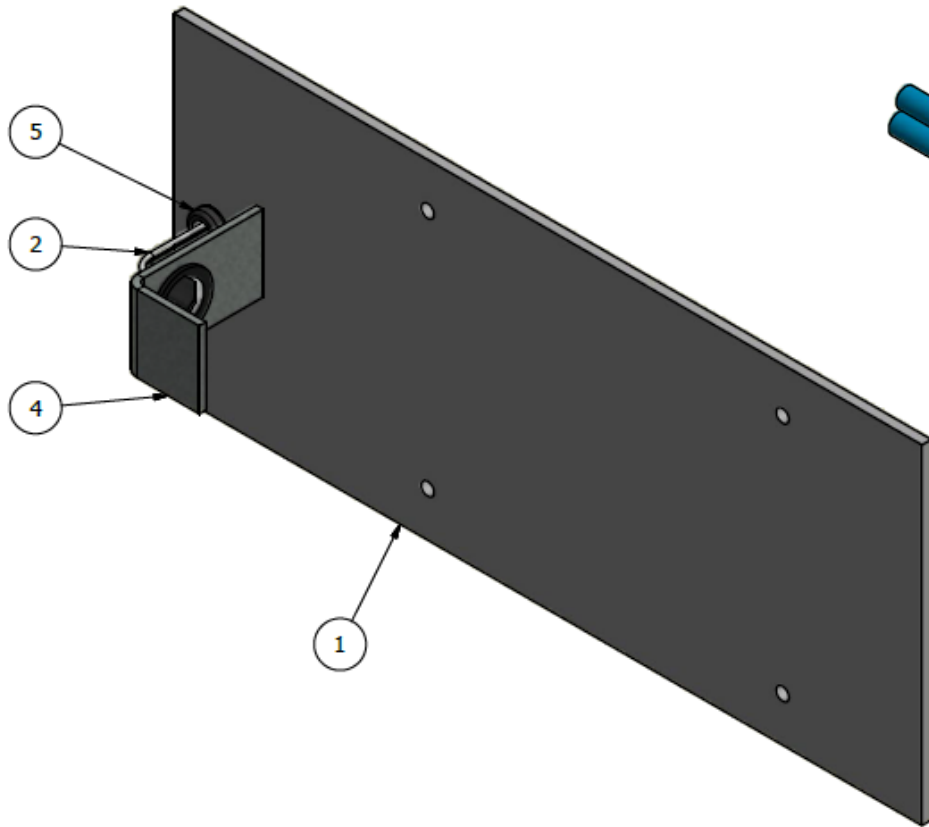
# GLADHAND ASSEMBLY-FRONT, LTL 28' AND LG 700N405



PARTS LIST			
ITEM	QTY	PART NUMBER	DESCRIPTION
1	4	6000961	BOLT, 5/16-18 x 1 1/4" CARRIAGE, GRADE 5 PLATED
2	4	6100316	NUT, 5/16-18 LOCK, NYLON
3	4	6200312	WASHER, 5/16" ID x 7/8" OD
4	1	7000141	FITTING, MALE 68NTA-6-6
5	1	7000143	FITTING, MALE 68NTA-8-6
6	1	7001297	GLADHAND, 38D, EMERGENCY, CAST
7	1	7001298	GLADHAND, 38D, CONTROL, CAST

# LICENSE PLATE ASSEMBLY, LIFTGATE

## 800N318

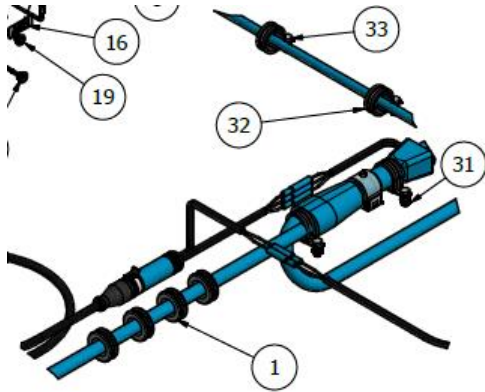


### PARTS LIST

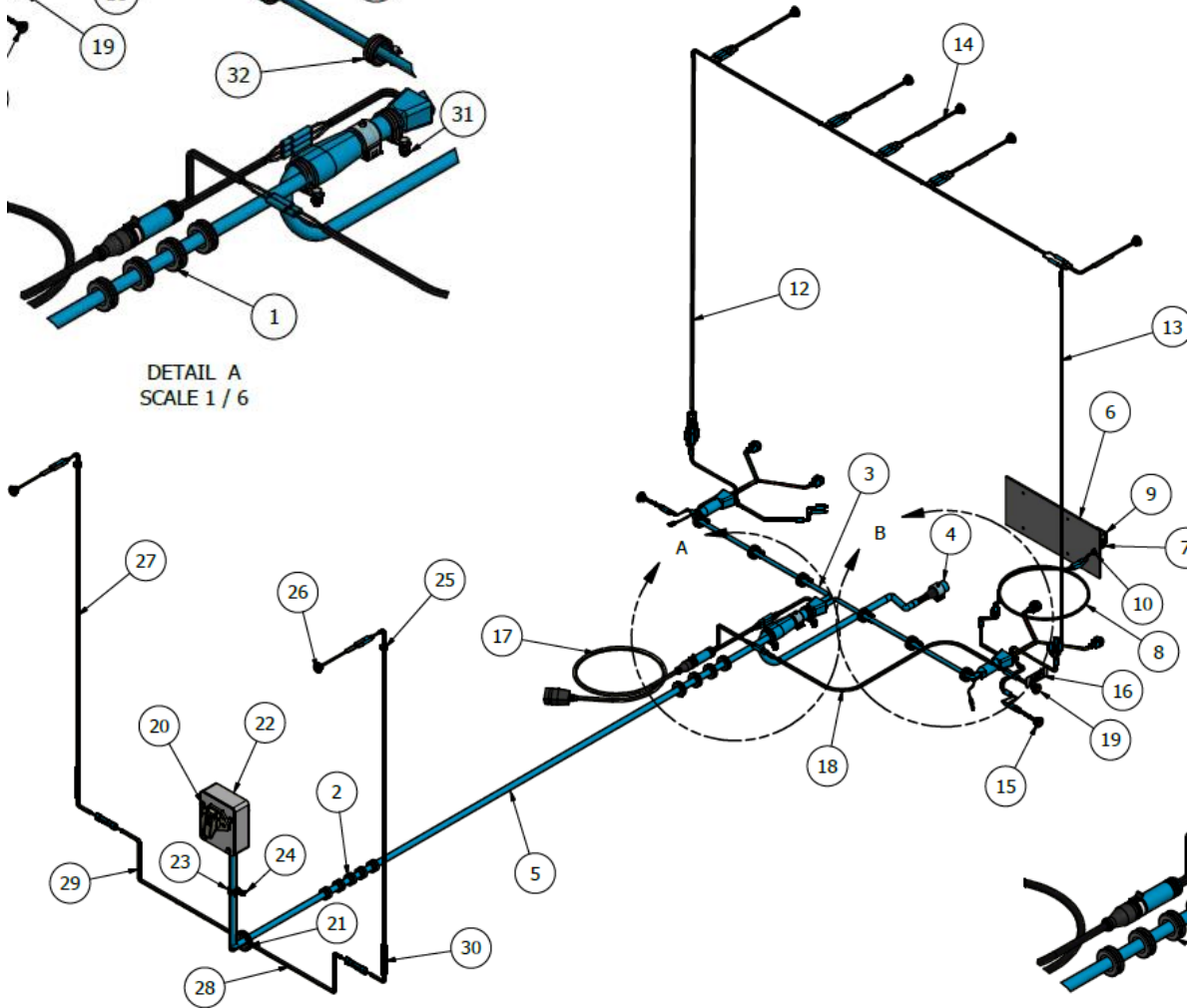
ITEM	QTY	PART NUMBER	DESCRIPTION
1	1	2400199	BRACKET, LICENSE PLATE
2	1	8000196	LICENSE LIGHT MICRONOVA
3	3	8000197	MARKER LIGHT JUMPER 36"
4	1	8000198	PINTLE HOOK LAMP MOUNTING BRACKET
5	1	8000458	GROMMET 5/8" HOLE SIZE

# ELECTRICAL ASSEMBLY, LTL28' LG

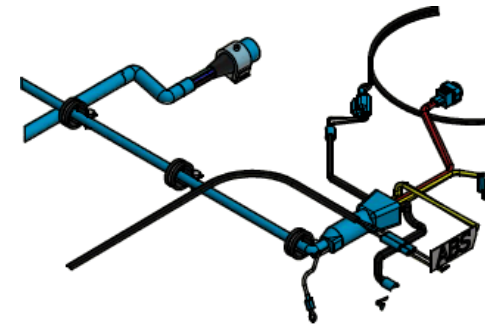
## 800M124



DETAIL A  
SCALE 1 / 6



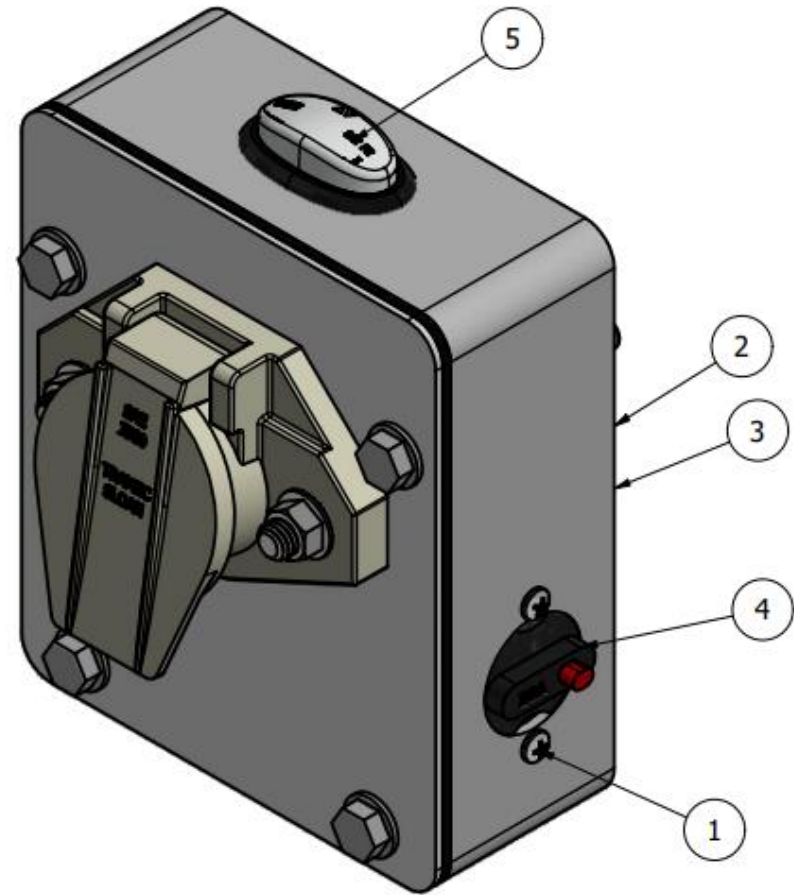
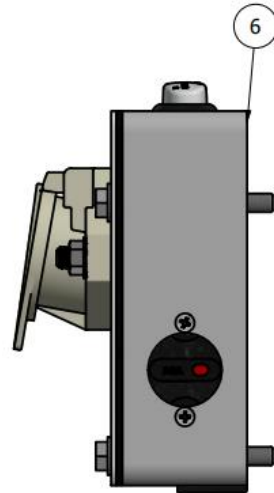
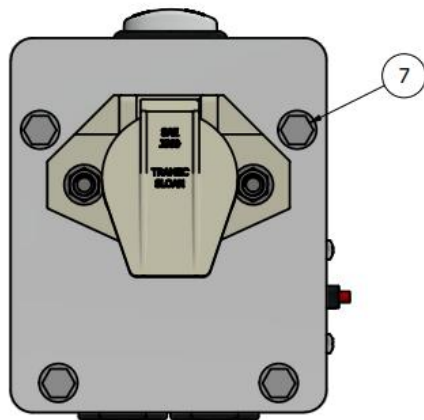
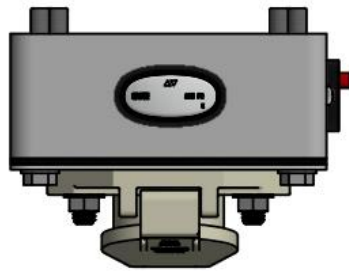
PARTS LIST			
ITEM	QTY	PART NUMBER	DESCRIPTION
1	8	8000459	GROMMET 1 3/4"
2	4	8000477	GROMMET 1"
3	1	8000550	REAR SILL HARNESS
4	1	8000577	DUMMY PLUG REAR 7-WAY
5	1	8000598	MAIN HARNESS
6	1	2400199	BRACKET, LICENSE PLATE
7	1	8000196	LICENSE LIGHT MICRO-NOVA
8	3	8000197	MARKER LIGHT JUMPER
9	1	8000198	PINTLE HOOK LAMP MOUNT
10	1	8000458	GROMMET 5/8"
11	1	8000451	GROMMET, 1 1/16"
12	1	8000553	DOOR HEADER HARNESS
13	1	8000554	TURN SIGNAL JUMPER
14	5	8000571	MICRO-NOVA DOT DUAL RED LED
15	2	8000570	MICRO-NOVA DOT RED LED
16	1	7500200	ABS FAULT LAMP DECAL
17	1	8000560	ABS POWER HARNESS
18	1	8000561	ABS LIGHT JUMPER HARNESS
19	1	8000573	MICRO-NOVA DOT AMBER
20	4	6000298	BOLT, 5/16" - 18 x 2 1/2"
21	1	8000476	GROMMET, 2"
22	1	8000943	7-WAY SMART BOX
23	1	8000261	CLAMP, RUBBER CUSHION
24	1	6300015	RIVET, POP
25	2	8000458	GROMMET, 5/8"
26	2	8000572	MICRO-NOVA DOT AMBER
27	2	8000594	FORWARD WALL HARNESS
28	1	8000596	JUMPER HARNESS 36"
29	1	8000597	JUMPER HARNESS 96"
30	1	8000997	SPLIT LOOM
31	8	6100256	NUT 1/4" - 20
32	8	8000275	CLAMP, CUSHION 1 1/4"
33	8	6000275	BOLT, 1/4" - 20 x 3/4"



DETAIL B  
SCALE 1 / 6

# 7 WAY LIFTGATE ASSEMBLY

## 800N552

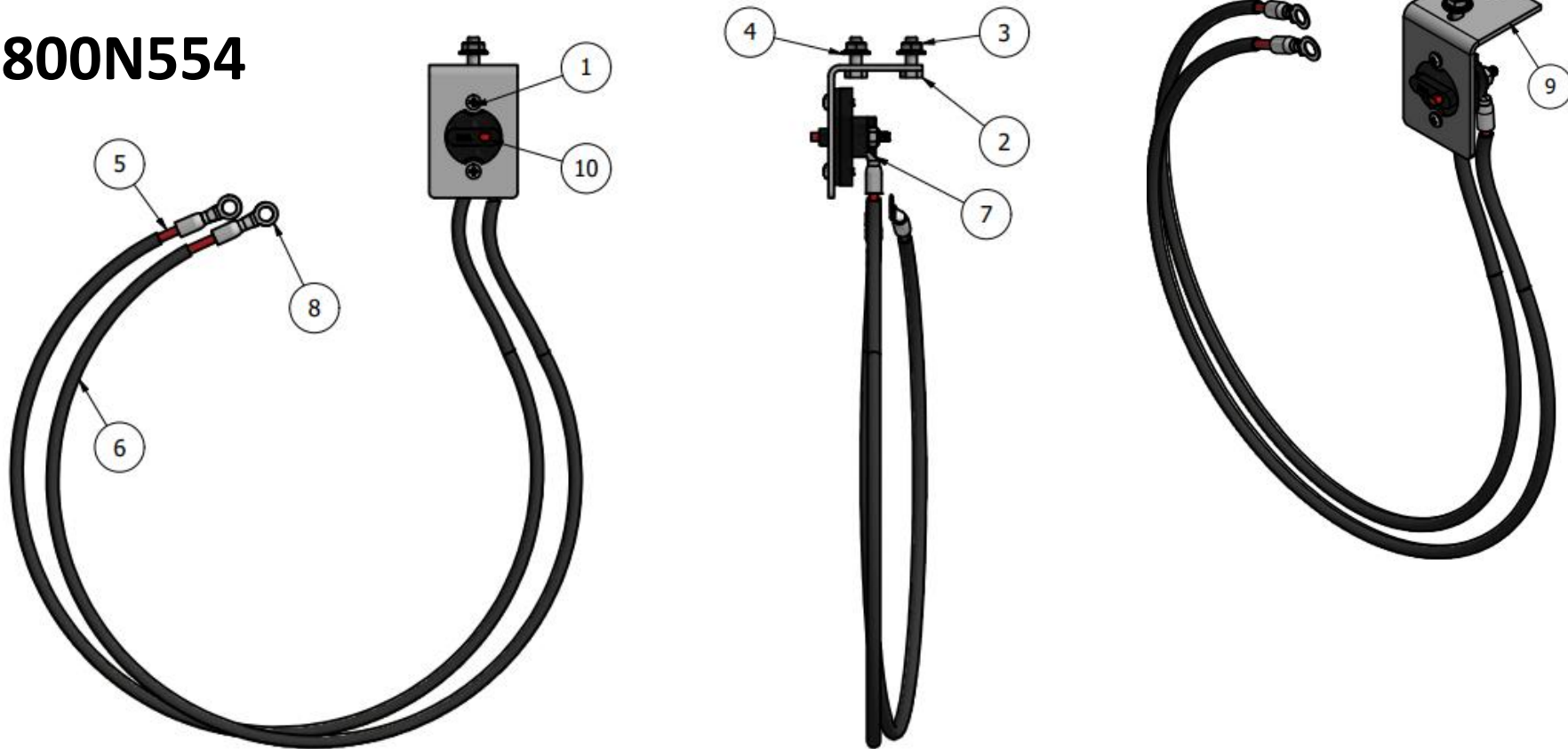


PARTS LIST			
ITEM	QTY	PART NUMBER	DESCRIPTION
	1	800N552	7 WAY LIFTGATE ASSEMBLY
1	2	6000003	MACHINE SCREW 8-32 x 3/4" STAINLESS
2	.75 FT	8000988	WIRE, WHITE 8 AWG
3	2	8001025	ELECTRICAL, CONNECTOR 8AWG RING #10
4	1	8003100	BREAKER, 30 AMP MANUAL RESET
5	1	8003104	INDICATOR LIGHT, BICOLOR
6	1	8000943	7 WAY SMAT BOX
7	4	6000298	BOLT, 5/16-18 x 2 1/2" TAPLITE SELF DRILL

7-WAY BOX:  
TRAMEC 38521

# CIRCUIT BREAKER ASSEMBLY LIFTGATE

## 800N554

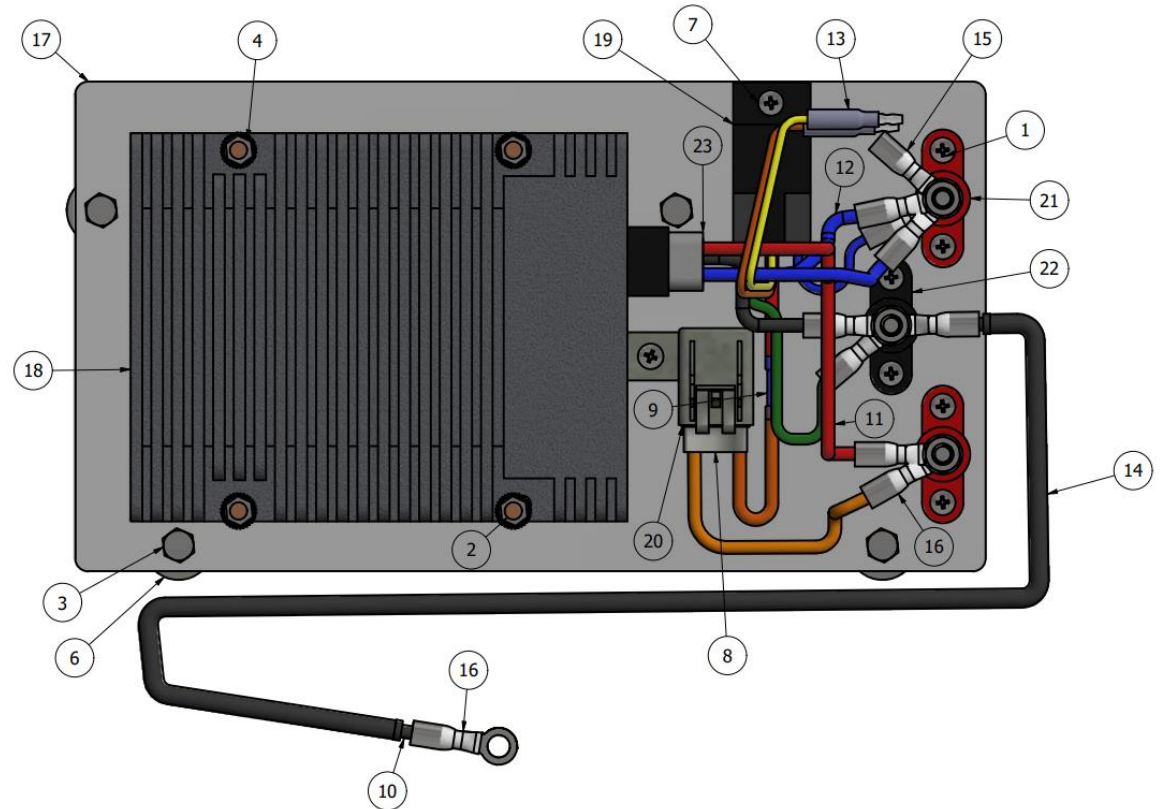
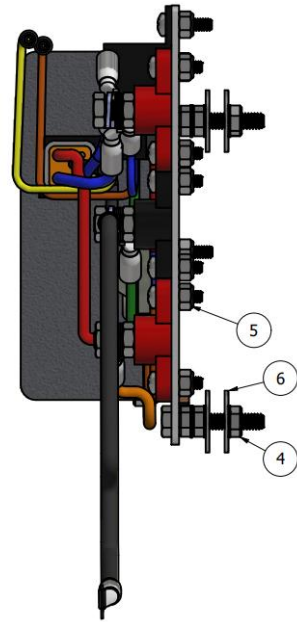


PARTS LIST			
ITEM	QTY	PART NUMBER	DESCRIPTION
	1	800N554	CIRCUIT BREAKER ASSEMBLY LIFTGATE
1	2	600003	MACHINE SCREW 8-32 x3/4" STAINLESS
2	2	6000275	BOLT, 1/4-20 x 3/4" GRADE 8
3	2	6100256	NUT, 1/4-20 KEP STAINLESS
4	2	6200251	WASHER 1/4" FLAT STAINLESS
5	5 FT	8000985	WIRE, RED 10 AWG
6	5	8000996	SPLIT LOOM 1/4"
7	2	8001023	ELECTRICAL, CONNECTOR 10/12 #10 RING
8	2	8001024	ELECTRICAL, CONNECTOR 10/12 5/16" RING
9	1	8003001	BRACKET, CIRCUIT BREAKER
10	1	8003100	BREAKER, 30 AMP MANUAL RESET



# CHARGER ASSEMBLY LIFTGATE

## 800N558

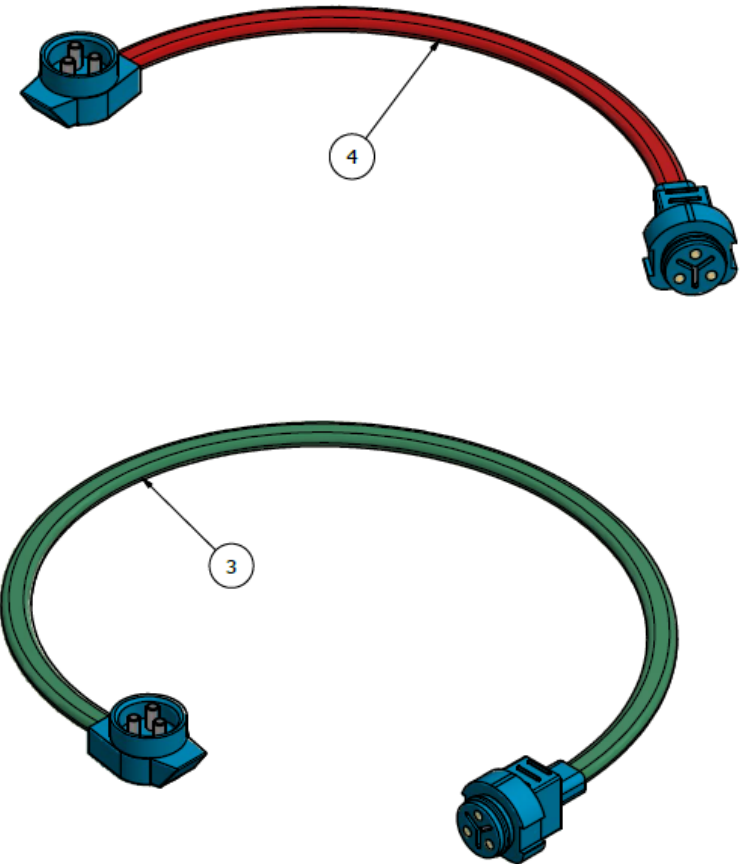
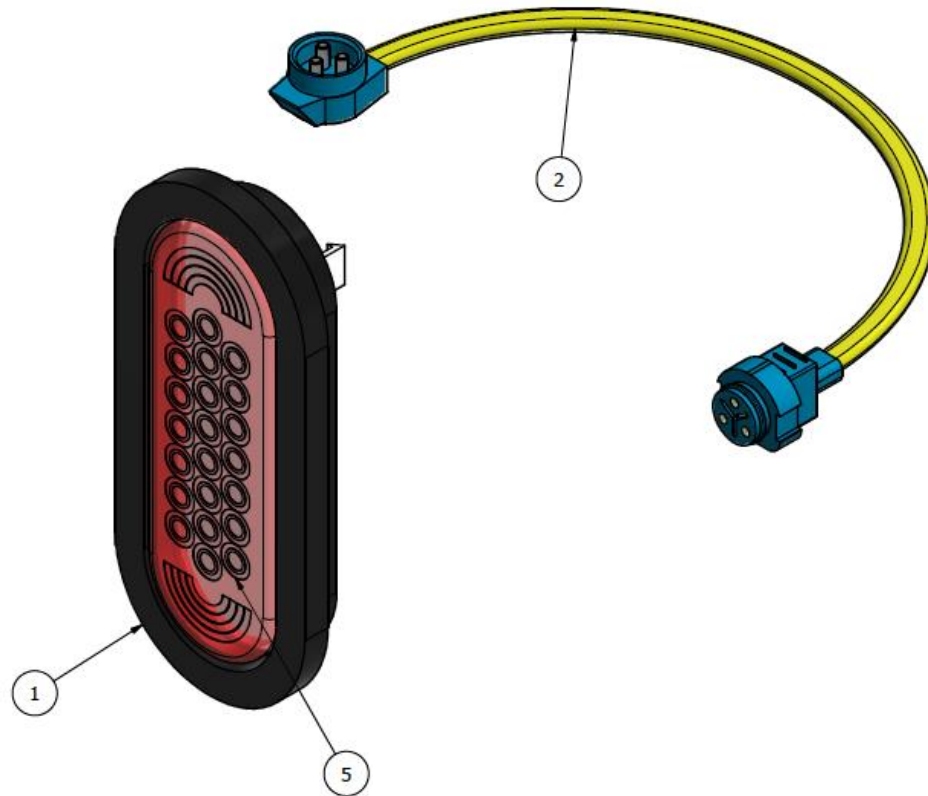


CHARGER:  
EATON 11020C11

PARTS LIST				
ITEM	QTY	PART NUMBER	DESCRIPTION	
1	8	600002	MACHINE SCREW 10-24 x 3/4" STAINLESS	
2	4	6000254	BOLT 1/4"-20 x 1" GRADE 8	
3	4	6000286	BOLT 1/4"-20 x 1 1/2" STAINLESS	
4	16	6100256	NUT 1/4-20 KEP STAINLESS	
5	16	6100401	NUT, 10-24 NYLON STAINLESS	
6	8	6200242	WASHER, FENDER 1/4" STAINLESS	
7	2	6200256	WASHER, 3/16" FLAT STAINLESS	
8	1	8000199	FUSE, 5 AMP	
9	1	8000968	ELECTRICAL, BUTT CONNECTOR 14GA	
10	3.25FT	8000984	WIRE, 10AWG BLACK PRIMARY	
11	1FT	8000985	WIRE, 10AWG RED PRIMARY	
12	.75FT	8000987	WIRE, 10AWG BLUE PRIMART	
13	2	8000989	ELECTRICAL, CONNECTOR-MALE BULLET	
14	2FT	8000996	SPLIT LOOM 1/4"	
15	1	8001021	ELECTRICAL, CONNECTOR RING 8AWG	
16	9	8001024	ELECTRICAL, CONNECTOR RING 10/12 AWG	
17	1	8003000	BRACKET, CHARGER	
18	1	8003101	CHARGER, DC/DC	
19	1	8003102	RELAY ASSEMBLY	
20	1	8003103	FUSE HOLDER	
21	2	8003105	JUNCTION BLOCK RED, 5/15" STUD	
22	1	8003106	JUNCTION BLOCK BLACK, 5/15" STUD	
23	1	8003107	4 PIN CONNECTOR KIT FOR LIFTGATE CHARGER	

# VERTICAL TAILLIGHT ASSEMBLY

## 800N130



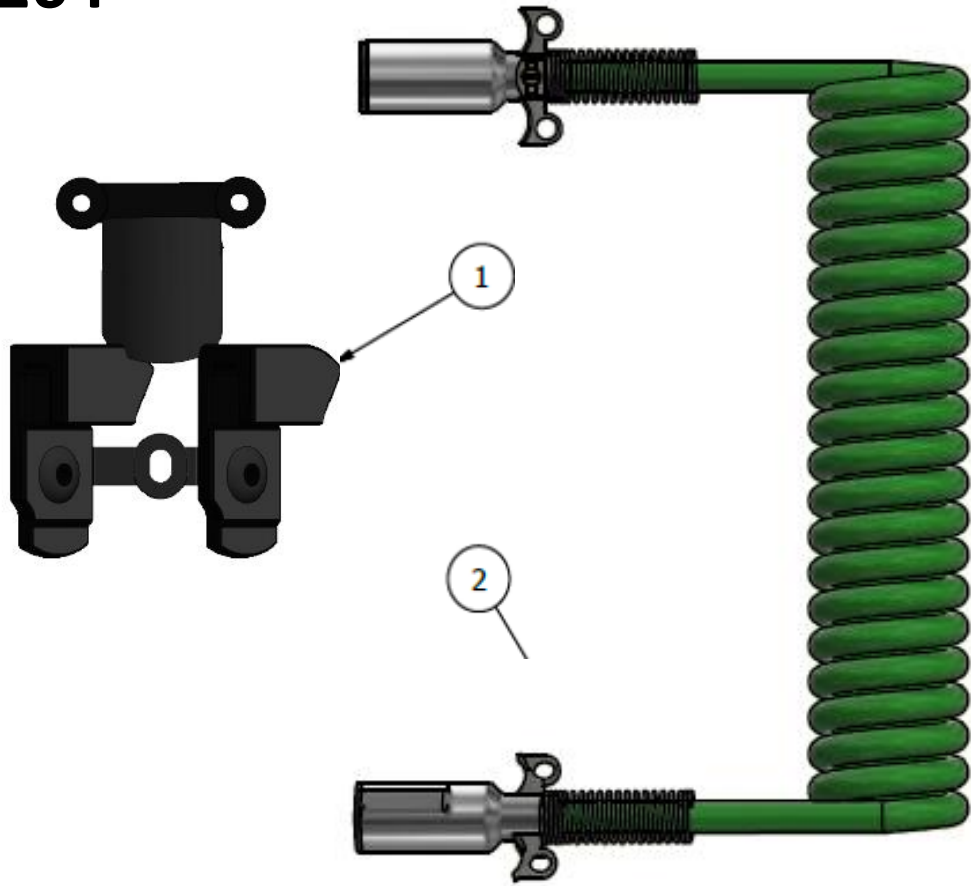
PARTS LIST			
ITEM	QTY	PART NUMBER	DESCRIPTION
1	1	8000054	GROMMET, OVAL MID-TURN
2	1	8000826	JUMPER HARNESS
3	1	8000827	JUMPER HARNESS
4	1	8000828	JUMPER HARNESS
5	1	8000904	LAMP, STOP/TAIL/TURN LED

TAIL LAMP:  
GROTE 53962 US 60 OVAL



# POWER CABLE AND HOLDER ASSEMBLY

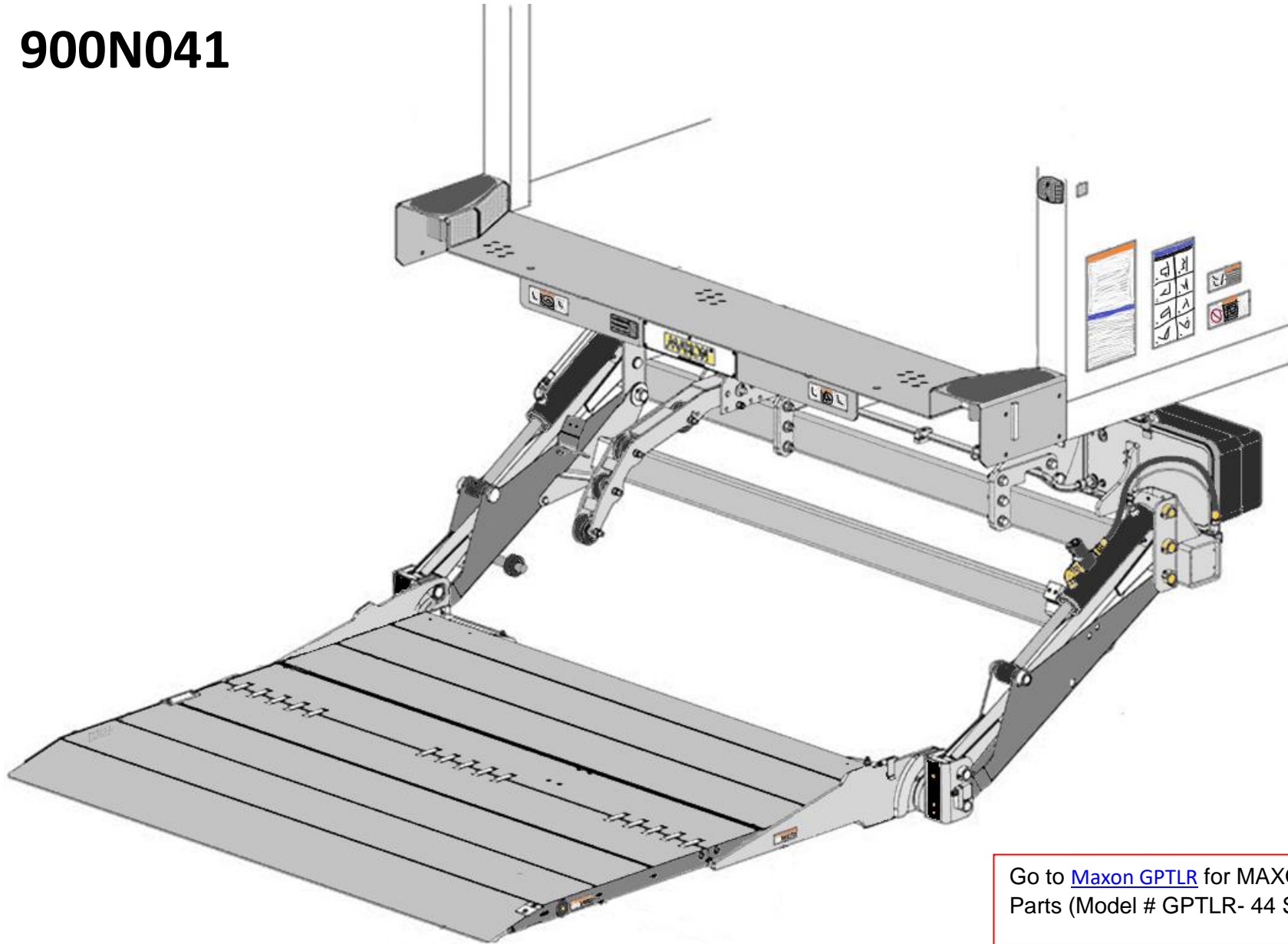
800N264



PARTS LIST			
ITEM	QTY	PART NUMBER	DESCRIPTION
1	1	8000237	CHARGING HOLDER BRACKET
2	1	8000238	CHARGING CABLE COILED 15' – LIFTGATE
3	1	6300139	RIVET, POP – AD6-16ABSLF LG
4	1	800N296	CLAMP ASSEMBLY LIFT GATE POWER CORD
	2	6000300	BOLT, 5/16" 18x1" TRILOBULAT SELF TAPP
	1	6200105	WASHER, POP RIVET BACKING 3/16"

# MAXON TUK-A-WAY ASSEMBLY, LTL28'

900N041



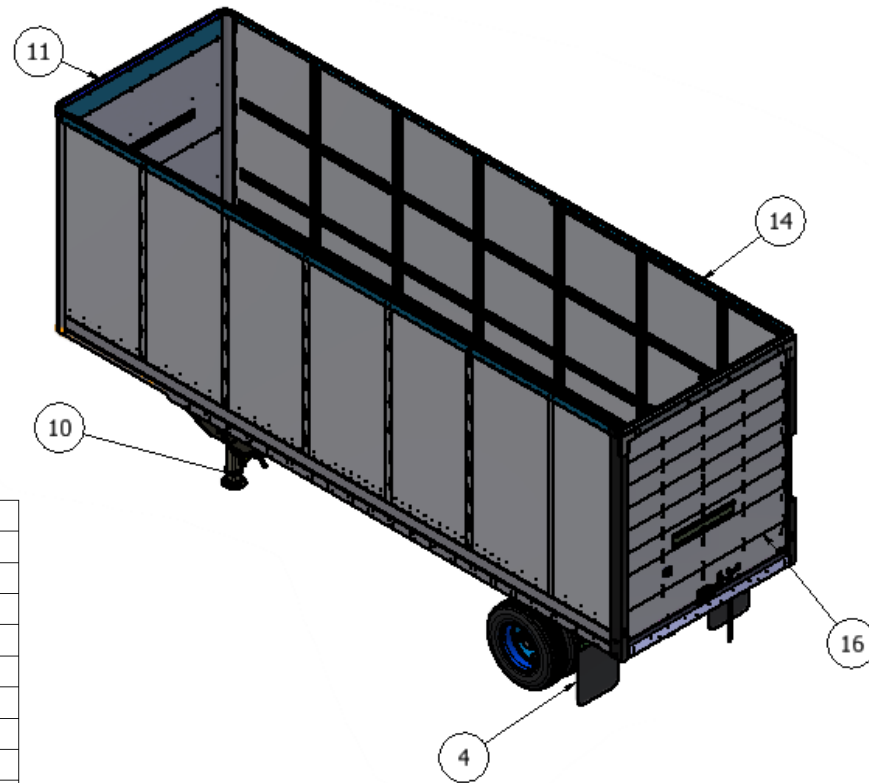
Go to [Maxon GPTLR](#) for MAXON Tuk-A-Way Parts (Model # GPTLR- 44 Series)

# LTL28N0LAB-35

## LIFTGATE TRAILER

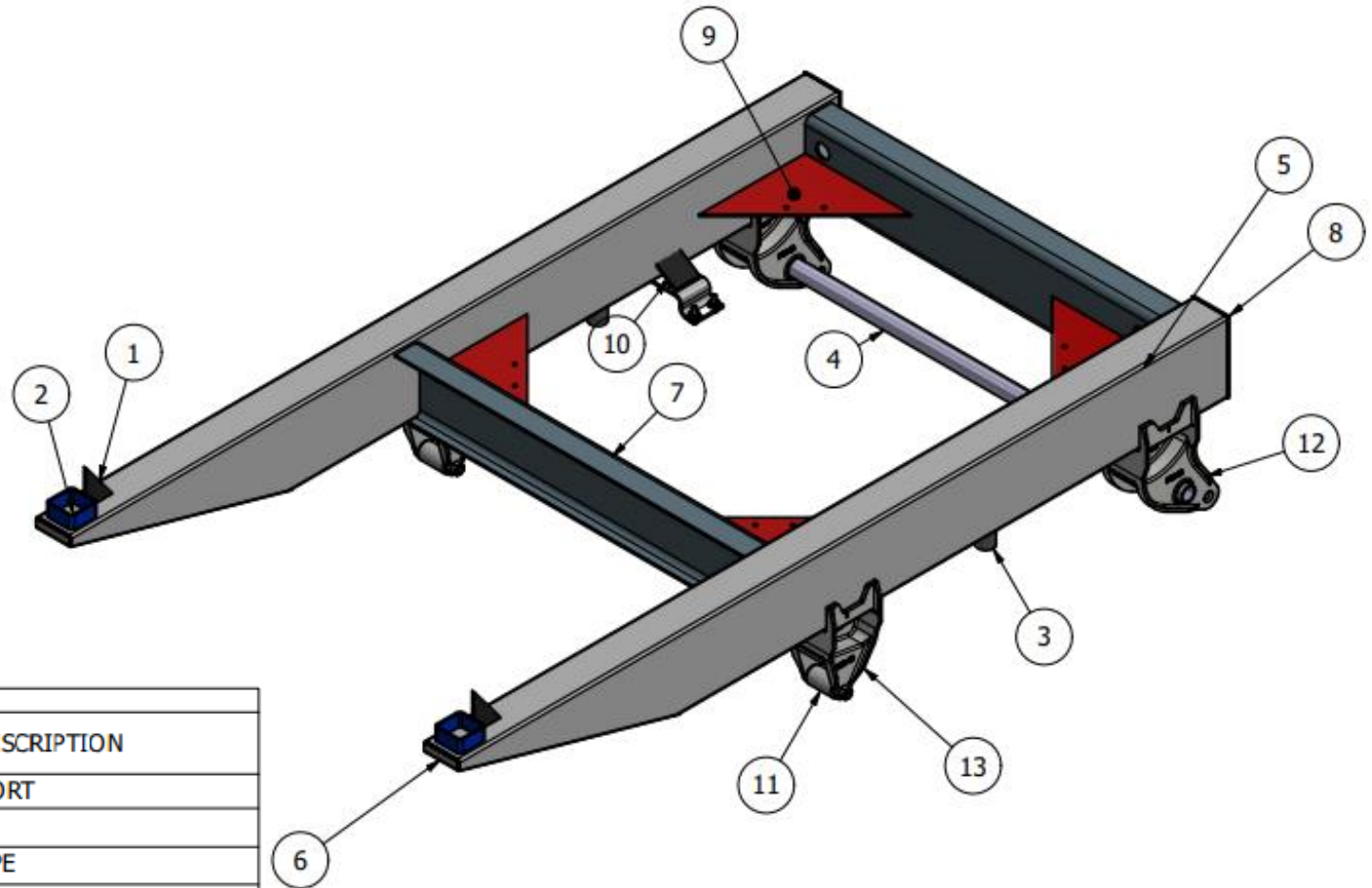
### 12'6" LOW-PROFILE

PARTS LIST			
ITEM	QTY	PART NUMBER	DESCRIPTION
1	1	210M105	BOGIE FRAME ASSEMBLY
2	1	220M250	AXLE ASSEMBLY, DISC BRAKE
3	1	230M044	SUSPENSION ASSEMBLY, SINGLE
4	1	240M035	TAIL LIGHT & MUD FLAP AY.
5	1	240M282	WHEEL NUT ASSM, 33 MM GUARD
6	4	240N275	NEW WHEEL & TIRE ASSM, 295/76R22.5
7	1	310M051	UPPER COUPLER ASSEMBLY
8	1	330M052	BOGIE SUB-FRAME
9	1	340M190	FLOOR ASSEMBLY, 28'
10	1	350M041	LANDING LEG ASSEMBLY
11	1	410M126	FORWARD WALL ASSY - 28'
12	1	420N203	E-TRACK ASSEMBLY, 28'
13	1	420N916	ANCRA LIFT-A-DECK, 28'
14	1	421N070	C/S SIDEWALL ASSEMBLY
15	1	422N070	R/S SIDEWALL ASSEMBLY
16	1	500M114	DOOR ASSY, TODCO, TUK-A-WAY
17	1	700M133	AIR BRAKE ASSM



# BOGIE FRAME ASSEMBLY, LTL28' LIFTGATE

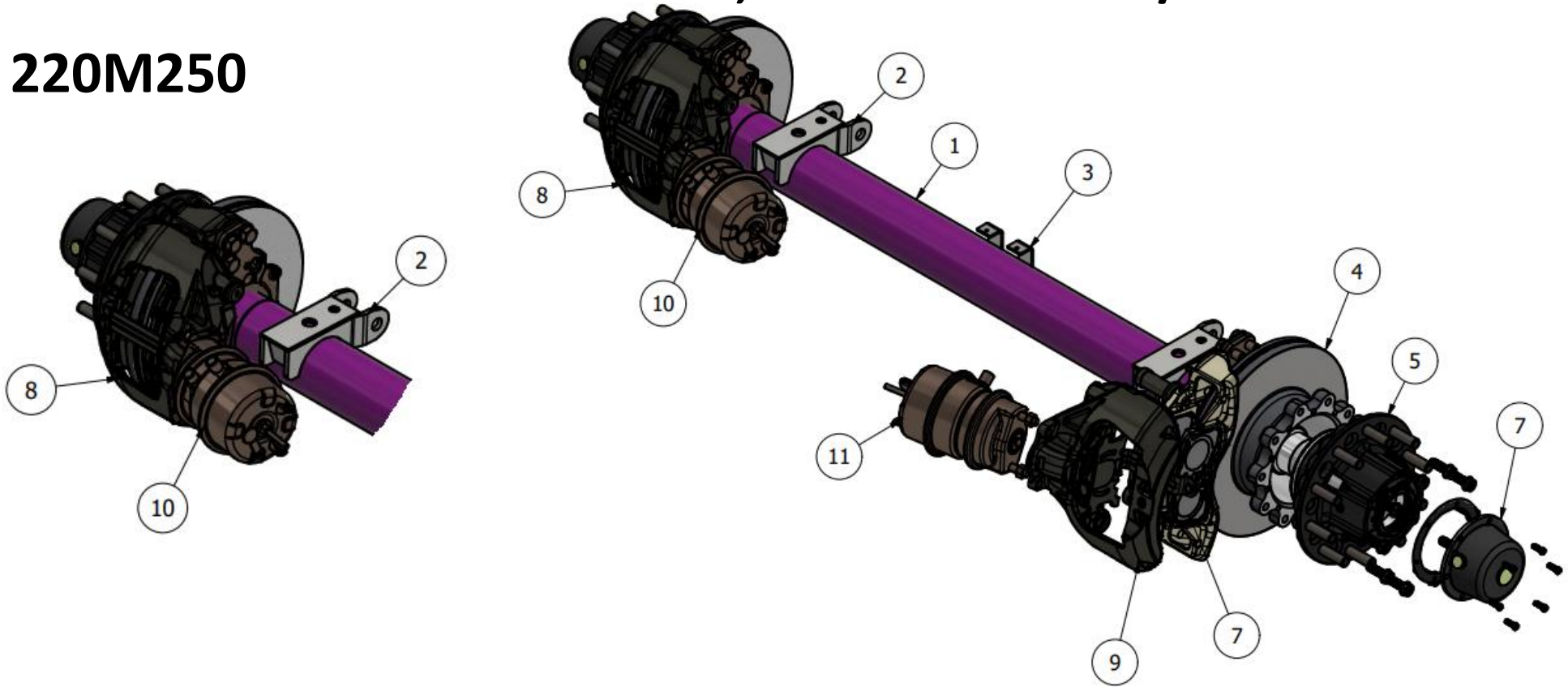
## 210M105



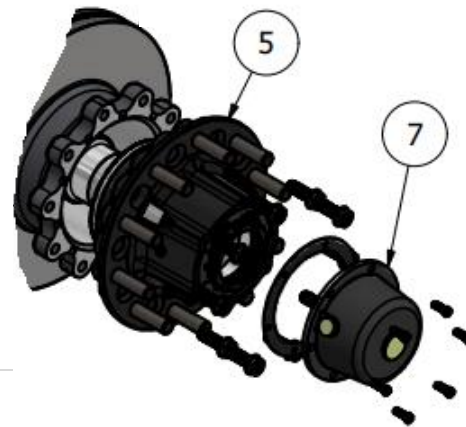
PARTS LIST			
ITEM	QTY	PART NUMBER	DESCRIPTION
1	2	2100204	GUSSET SUPPORT
2	2	2100225	SPACER
3	2	2104607	AXLE STOP PIPE
4	1	2104614	TIE BAR
5	2	2107613	BOGIE TUBE, CWF28-28LG
6	2	2107614	COVER PLATE
7	2	2107619	CHANNEL,SPREADER
8	2	2107652	PLATE, BOGIE TUBE END CAP
9	4	2107671	GUSSET, INNER BOGIE TUBE
10	1	210N762	BRACKET, AIR TANK AY
11	2	2300150	BUSHING, RUBBER - REAR
12	2	2300156	HANGER. STRADDLE CAST-F
13	2	2300157	HANGER, STRADDLE CAST RR

# AXLE AND WHEEL ASSEMBLY, DISC BRAKES W/ OIL

## 220M250



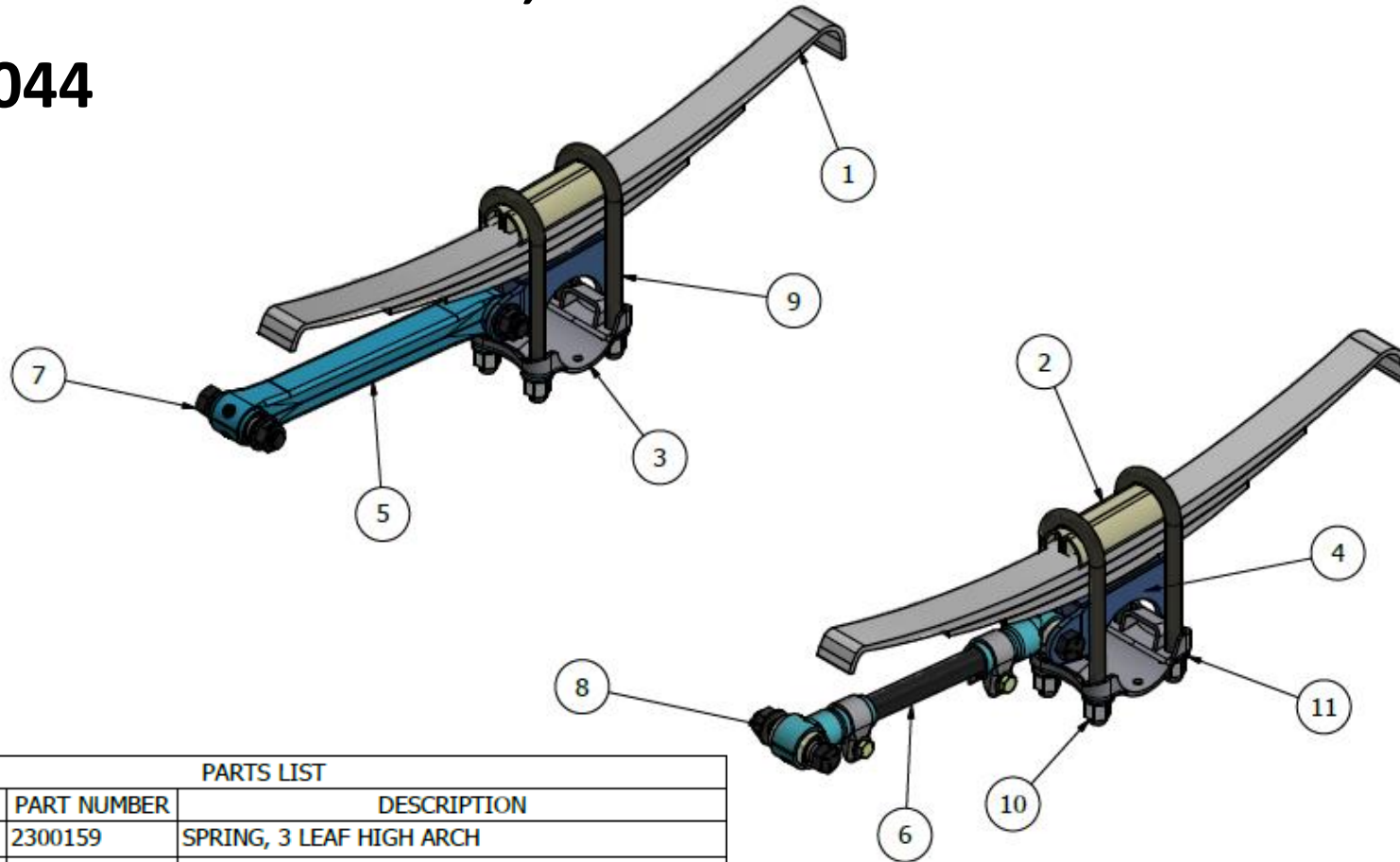
PARTS LIST			
ITEM	QTY	PART NUMBER	DESCRIPTION
1	1	2200350	AXLE BEAM, BARE
2	2	2200120	AXLE SEAT, 1 3/4"
3	2	7004521	BRACKET, AIR LINE
4+5	2	2201996	HUB/ROTOR (PRESET PLUS)
6	2	2200410	SKF HUB CAP
7	1	2202030	PAD KIT WITH HARDWARE
8	1	2202020	CALIPER, RS - LOADED
9	1	2202021	CALIPER, CS - LOADED
10	1	2202000	SPRING BRAKE CHAMBER, RS
11	1	2202001	SPRING BRAKE CHAMBER, CS





# SUSPENSION ASSEMBLY, 28'

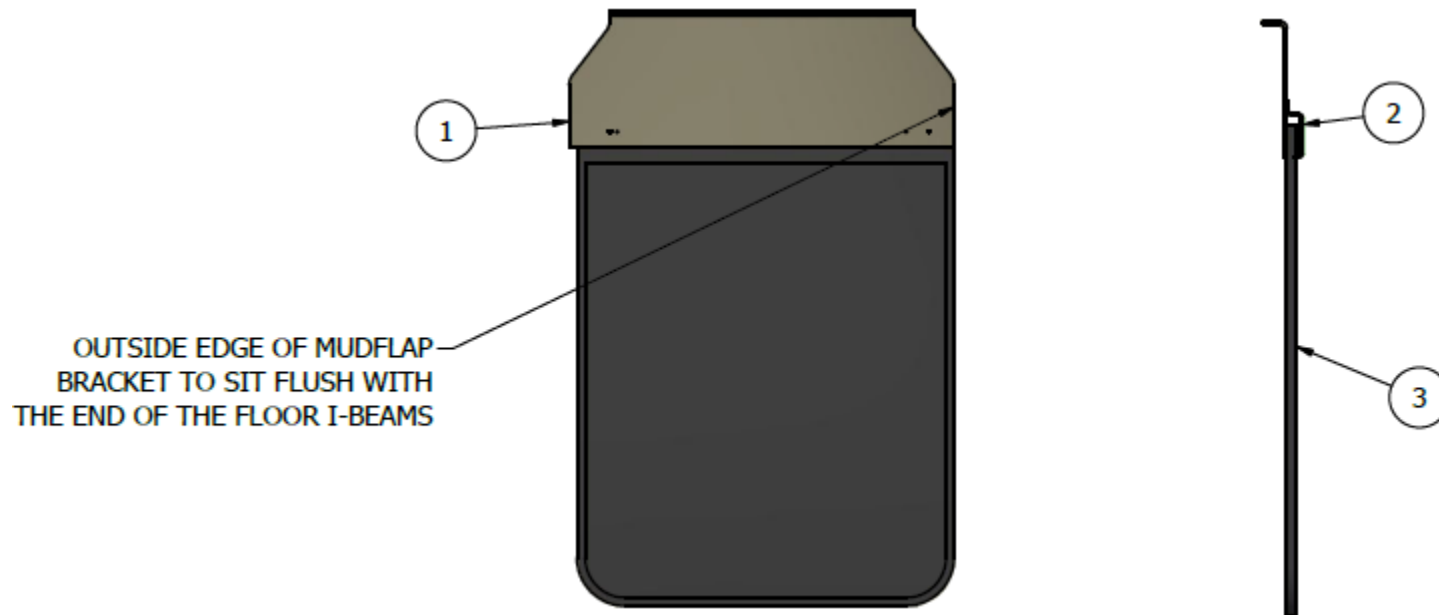
## 230M044



PARTS LIST			
ITEM	QTY	PART NUMBER	DESCRIPTION
1	2	2300159	SPRING, 3 LEAF HIGH ARCH
2	2	2300165	PLATE, TOP
3	2	2300119	PLATE, BOTTOM
4	2	2300120	AXLE SEAT
5	2	2300107	TORQUE ARM, NON-ADJUSTABLE
6	2	2300151	TORQUE ARM, ADJUSTABLE
7	4	6000951	BOLT, 1"-14 x 5" GRADE 5
8	4	6100951	NUT, 1"-14 FLANGE LOCK
9	4	2300904	U-BOLT, 5" ROUND 12 1/4"
10	8	6100876	NUT, 7/8-14 HIGH 2B
11	8	6200938	WASHER, 7/8" FLAT HARDENED

# MUDFLAP ASSEMBLY, 28'

## 240M035

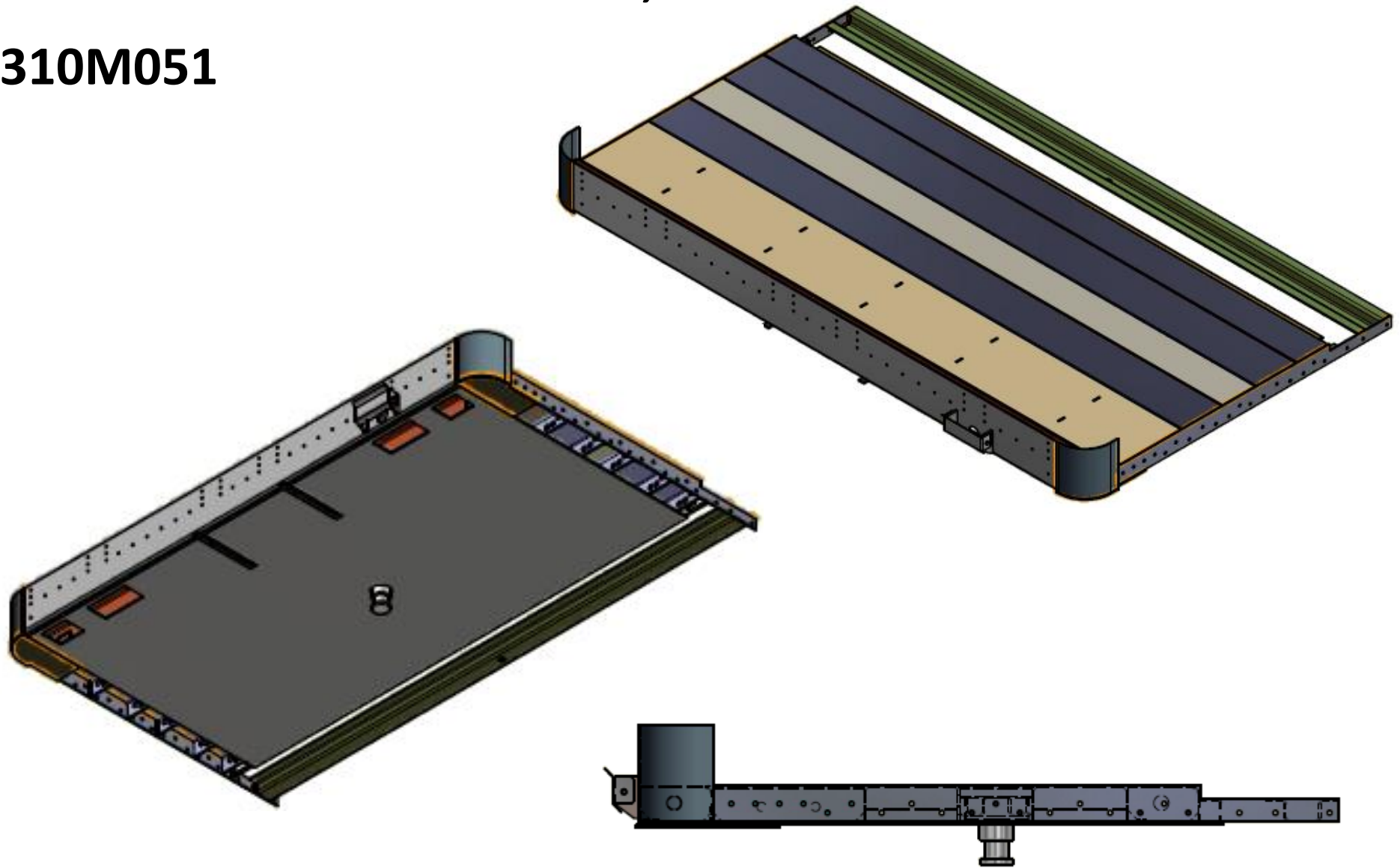


PARTS LIST			
ITEM	QTY	PART NUMBER	DESCRIPTION
1	2	2400270	C/S MUD FLAP MOUNTING BRACKET
2	2	2400272	UNIVERSAL MUD FLAP BRACKET
3	1	240N217	MUD FLAP ASSEMBLY



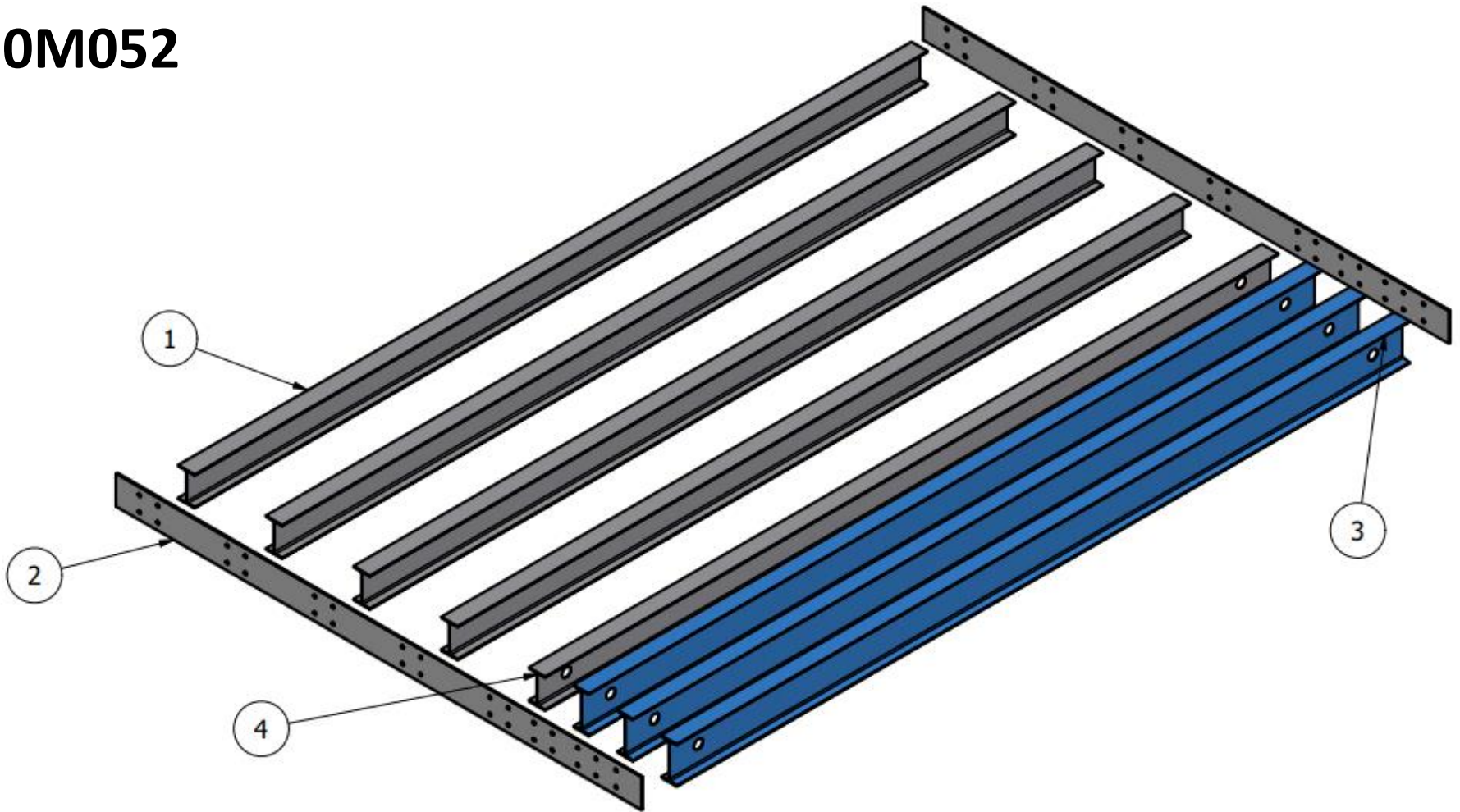
# UPPER COUPLER ASSEMBLY, 28'

310M051



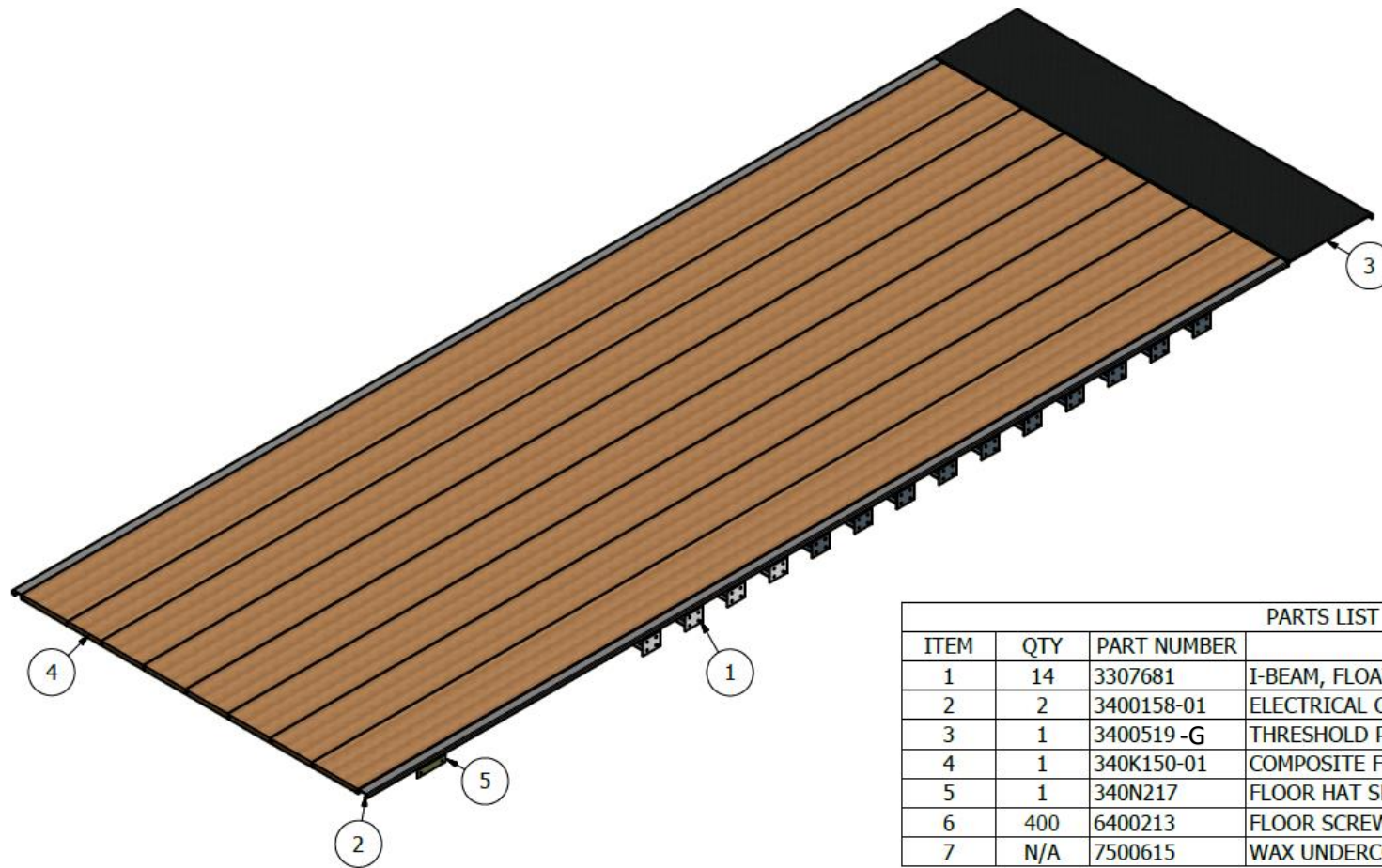
# BOGIE SUBFRAME EXTENDED SIDEPLATE ASSEMBLY

## 330M052



PARTS LIST			
ITEM	QTY	PART NUMBER	DESCRIPTION
	1	330M052	BOGIE SUBFRAME EXTENDED SIDEPLATE ASSY
1	4	3307680	I-BEAM, 4" x 100 3/8" 80 KSI
2	2	3300035	BOGIE SUB-FRAME SIDE PLATE
3	3	3307684	I-BEAM, 5" x 100 3/8", 80 KSI
4	1	3307683	I-BEAM, 4" x 100 3/8" 80 KSI

# FLOOR ASSEMBLY, 28'

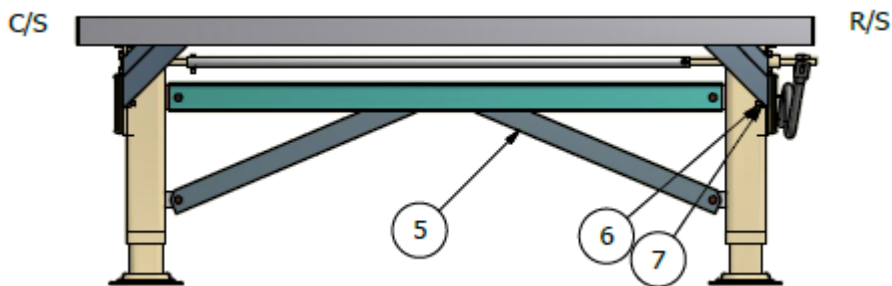
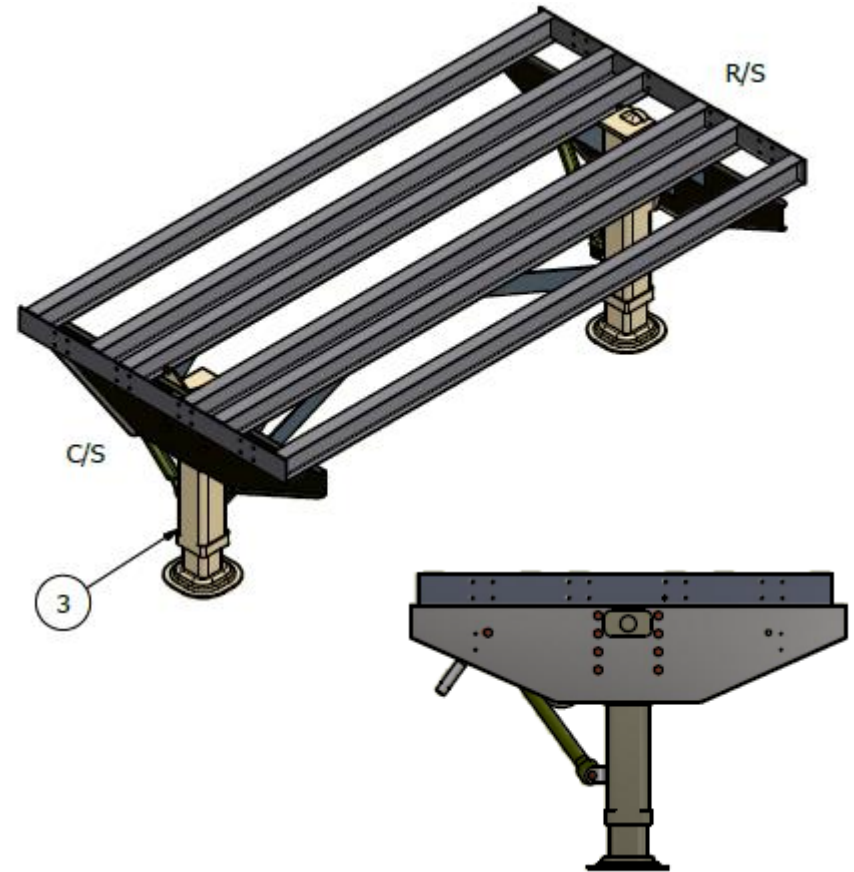
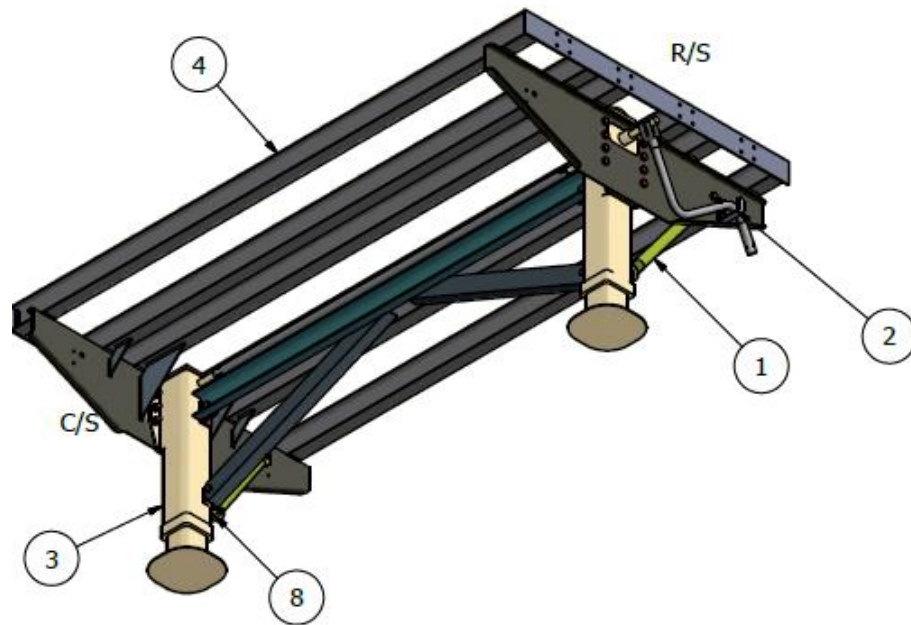


PARTS LIST			
ITEM	QTY	PART NUMBER	DESCRIPTION
1	14	3307681	I-BEAM, FLOATER W/CLIPS & WAXED
2	2	3400158-01	ELECTRICAL CHANNEL
3	1	3400519 -G	THRESHOLD PLATE
4	1	340K150-01	COMPOSITE FLOOR KIT
5	1	340N217	FLOOR HAT SECTION ASSEMBLY
6	400	6400213	FLOOR SCREW, 5/16-18 x 2" FLAT TORX HEAD
7	N/A	7500615	WAX UNDERCOAT, BLACK



# LANDING LEG ASSEMBLY

## 350M041



PARTS LIST			
ITEM	QTY	PART NUMBER	DESCRIPTION
1	2	3507232	REAR L.L. STRUT
2	1	350N045	CRANK HANDLE HOLDER
3	1	350N046	LANDING LEG ASSEMBLY
4	1	350N047	LANDING LEG SKIRT ASSEMBLY
5	1	350N049 -G	K-BRACE ASSEMBLY
6	24	6000627	BOLT, 5/8-18 x 1 3/4
7	24	6100626	NUT, 5/8-18 PINCH LOCK GRADE 5 PLATED
8	4	6200626	WASHER, 5/8 FLAT USS PLATED

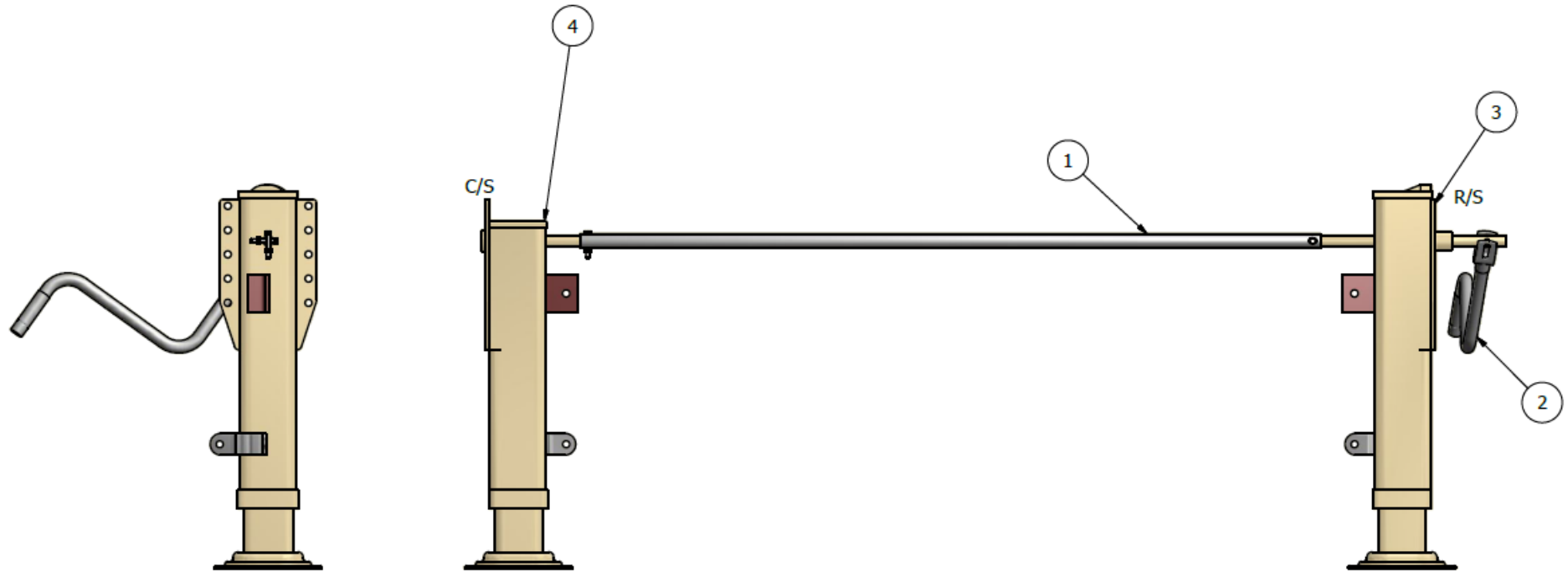
# CRANK HANDLE HOLDER ASSEMBLY

## 350N045

PARTS LIST			
ITEM	QTY	PART NUMBER	DESCRIPTION
1	1	3500559 -G	HOLDER, CRANK HANDLE
2	2	6000275	BOLT, 1/4 - 20 x 3/4" GRADE 8 PLATED
3	2	6100258	NUT, 1/4 - 20 LOCK
4	2	6200252	WASHER, 1/4" SAE FLAT PLATED

# LANDING LEG ASSEMBLY

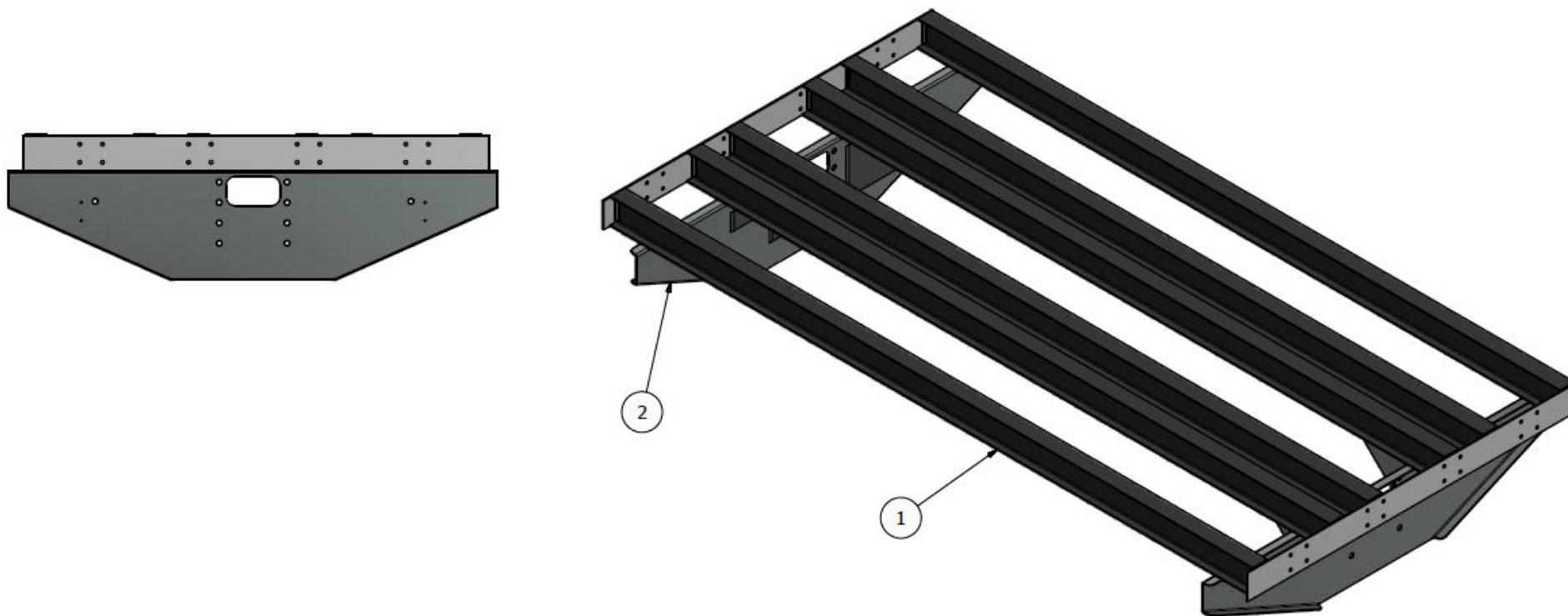
## 350N046



PARTS LIST			
ITEM	QTY	PART NUMBER	DESCRIPTION
1	1	3500140	CROSS SHAFT, LANDING LEG, 68.75"
2	1	3500148	LANDING LEG CRANK HANDLE
3	1	3500564	MASTER LANDING LEG, INBOARD
4	1	3500565	SLAVE LANDING LEG, INBOARD

# LANDING LEG SKIRT ASSEMBLY

## 350N047

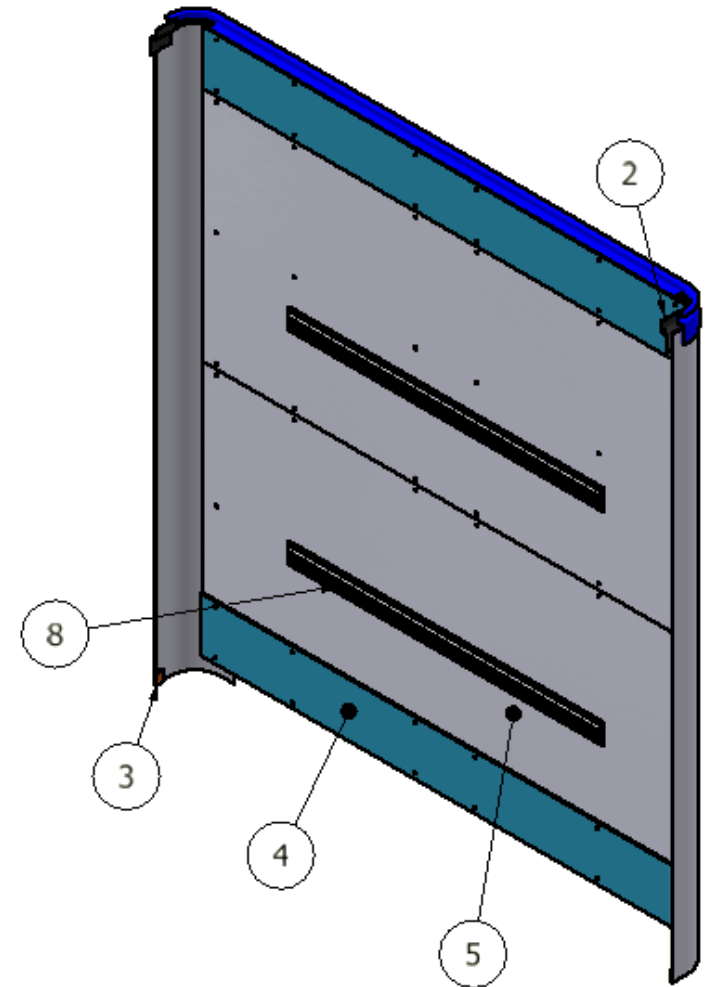
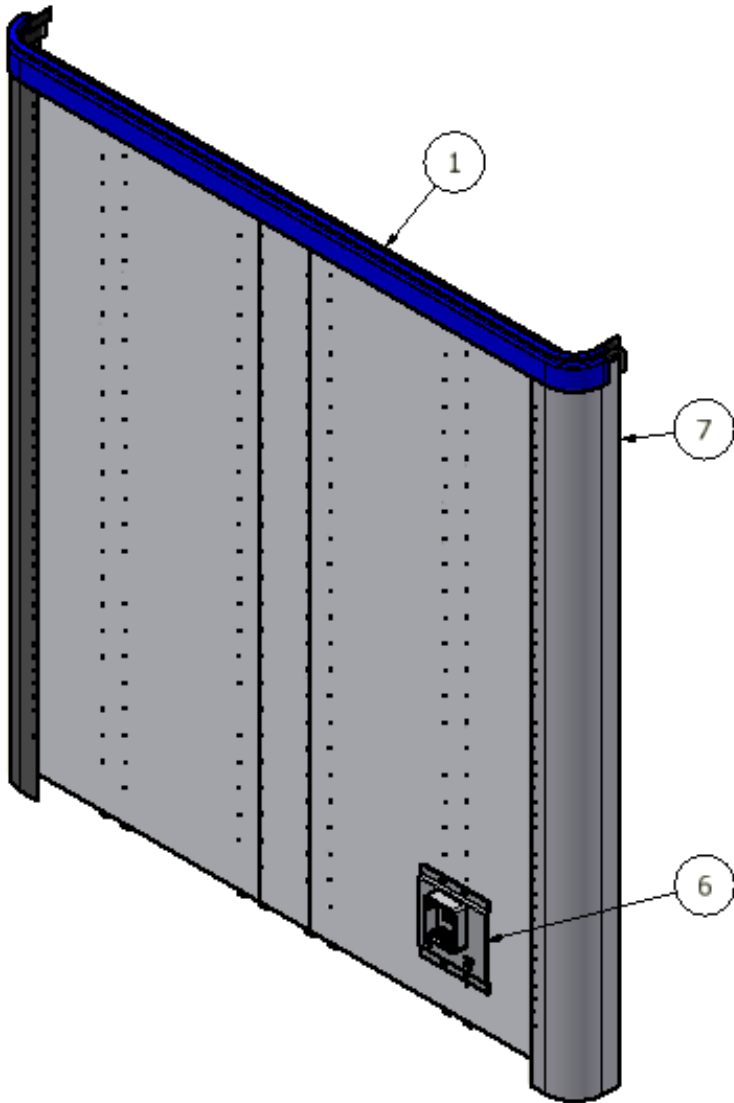


PARTS LIST			
ITEM	QTY	PART NUMBER	DESCRIPTION
1	1	320N041	L.L. CROSS MEMBER ASSEMBLY
2	2	350N048 -G	L.L. SKIRT SUB-ASSEMBLY



# FORWARD WALL ASSEMBLY, 28'

## 410M126

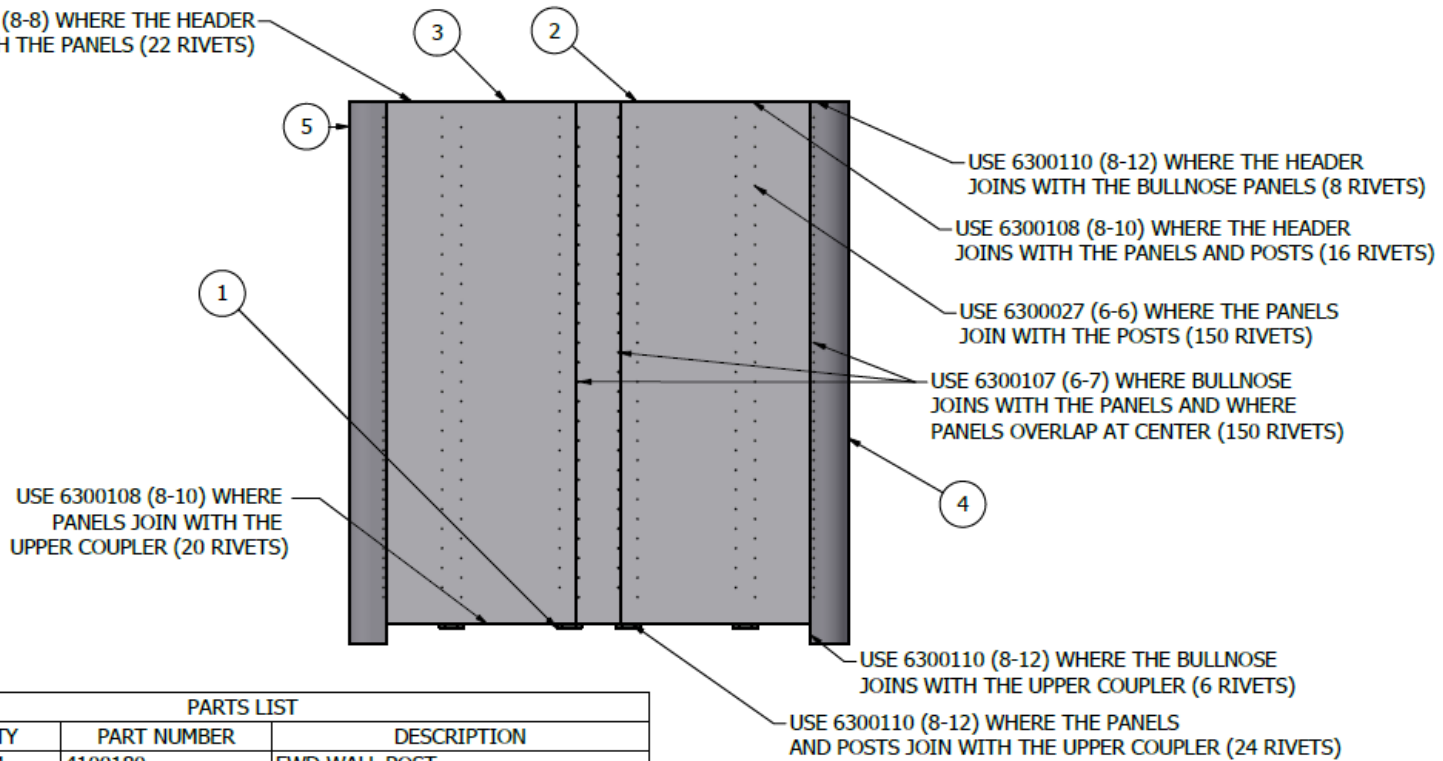


PARTS LIST			
ITEM	QTY	PART NUMBER	DESCRIPTION
1	1	4100129	FWD WALL HEADER
2	2	4100407	UPPER RAIL SUPPORT
3	2	4100430	BULLNOSE SHIM
4	1	410N144	FORWARD WALL SCUFF LINER
5	1	410N146	FWD WALL LINER - 28'
6	1	410N149	AIR KIT PLATE ASSEMBLY
7	1	410N150	FWD WALL PANEL ASSY - 28'
8	1	410N151	HORIZONTAL TRACK ASSEMBLY

# FWD WALL PANEL ASSY, 28'

## 410N150

USE 6300112 (8-8) WHERE THE HEADER JOINS WITH THE PANELS (22 RIVETS)



USE 6300108 (8-10) WHERE PANELS JOIN WITH THE UPPER COUPLER (20 RIVETS)

USE 6300110 (8-12) WHERE THE HEADER JOINS WITH THE BULLNOSE PANELS (8 RIVETS)

USE 6300108 (8-10) WHERE THE HEADER JOINS WITH THE PANELS AND POSTS (16 RIVETS)

USE 6300027 (6-6) WHERE THE PANELS JOIN WITH THE POSTS (150 RIVETS)

USE 6300107 (6-7) WHERE BULLNOSE JOINS WITH THE PANELS AND WHERE PANELS OVERLAP AT CENTER (150 RIVETS)

USE 6300110 (8-12) WHERE THE BULLNOSE JOINS WITH THE UPPER COUPLER (6 RIVETS)

USE 6300110 (8-12) WHERE THE PANELS AND POSTS JOIN WITH THE UPPER COUPLER (24 RIVETS)

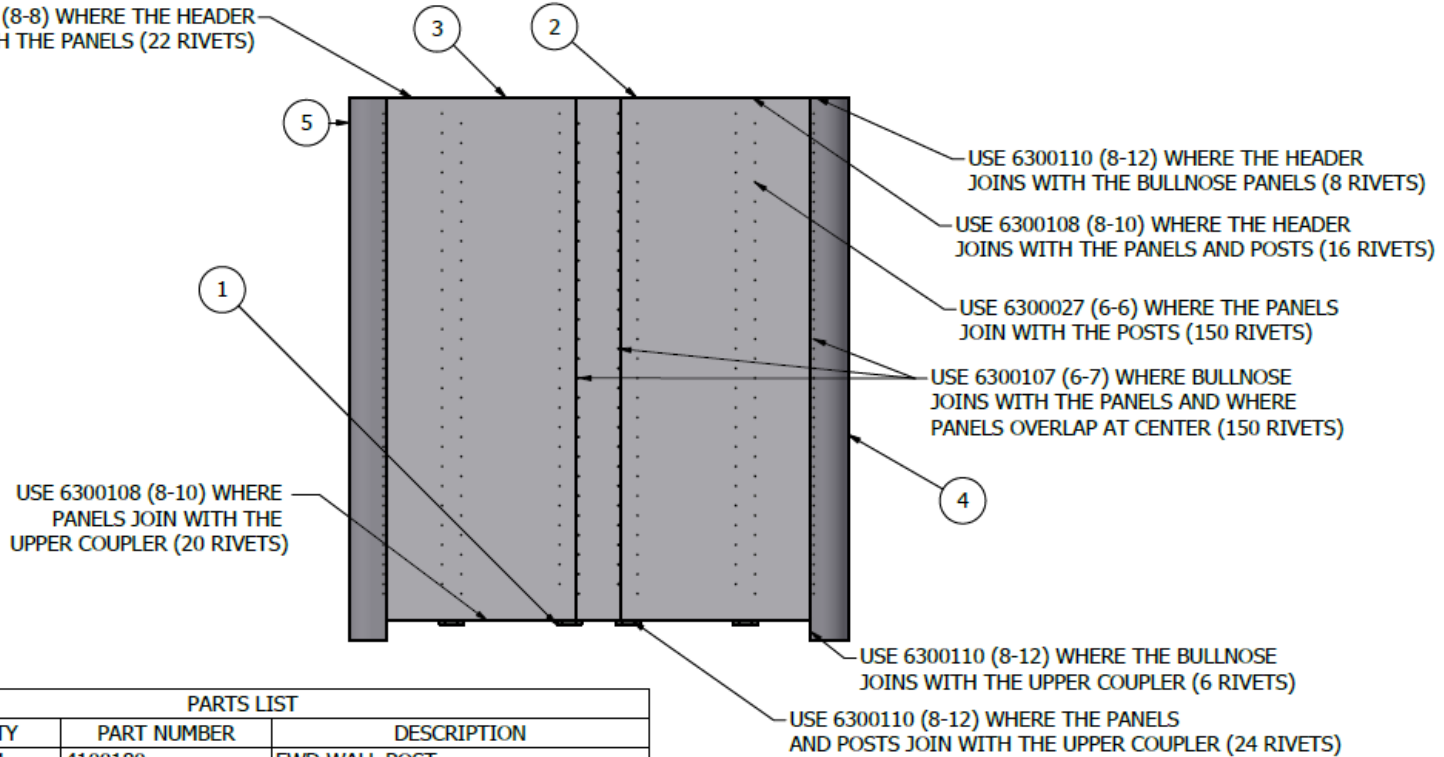
PARTS LIST

ITEM	QTY	PART NUMBER	DESCRIPTION
1	4	4100180	FWD WALL POST
2	1	4100550	FORWARD WALL PANEL - R/S
3	1	4100551	FORWARD WALL PANEL - C/S
4	1	4100552	BULLNOSE EXTRUSION - R/S
5	1	4100553	BULLNOSE EXTRUSION - C/S
6	2	6000363	BOLT, 3/8"-16 x 1 1/4"
7	2	6000364	BOLT, 3/8"-16 x 1 3/4"
8	4	6100377	NUT, 3/8"-16
9	0.290 lb	6300027	RIVET, SOLID - AN455AD 6-6
10	0.313 lb	6300107	RIVET, SOLID - AN455AD 6-7
11	0.185 lb	6300108	RIVET, SOLID - AN455AD 8-10
12	0.219 lb	6300110	RIVET, SOLID - AN455AD 8-12
13	0.099 lb	6300112	RIVET, SOLID - AN455AD 8-8

# FORWARD WALL LINER ASSEMBLY, 28'

## 410N146

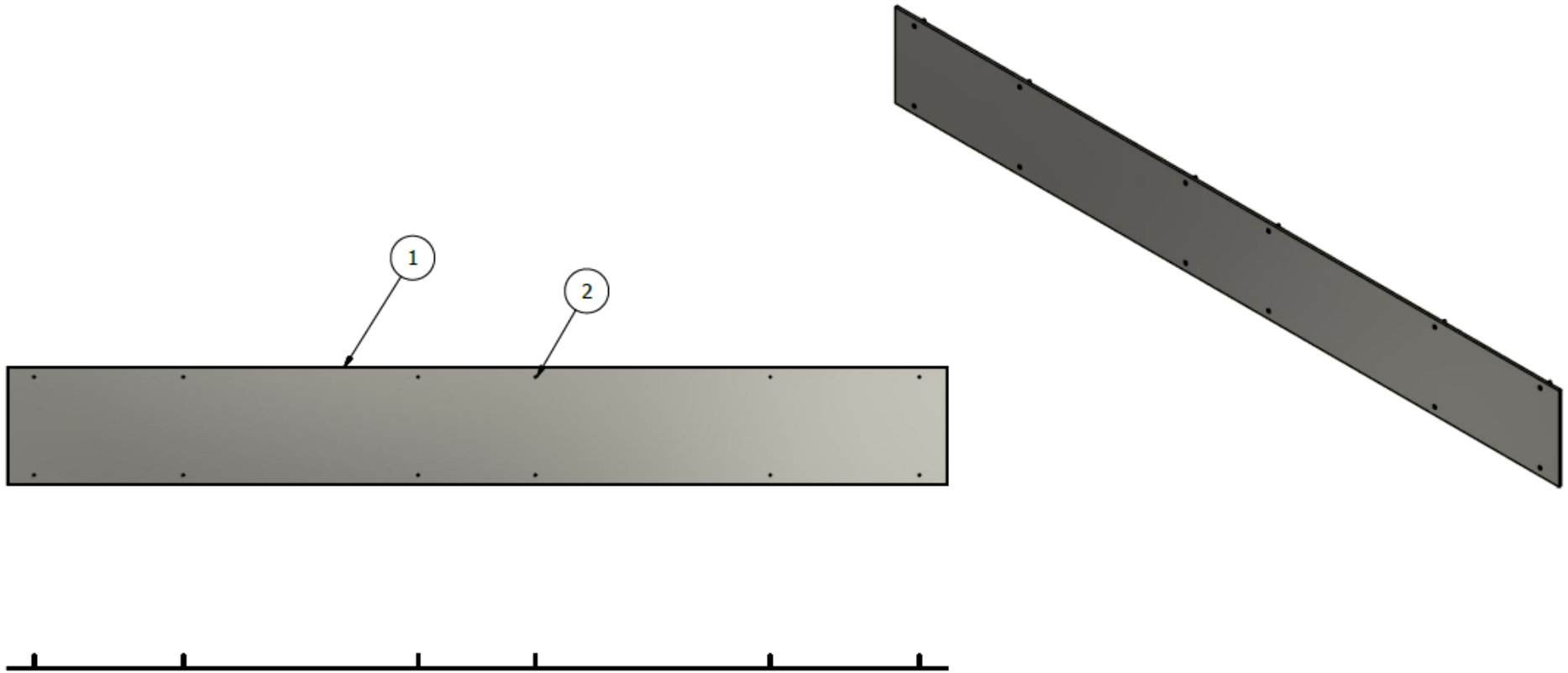
USE 6300112 (8-8) WHERE THE HEADER JOINS WITH THE PANELS (22 RIVETS)



PARTS LIST			
ITEM	QTY	PART NUMBER	DESCRIPTION
1	4	4100180	FWD WALL POST
2	1	4100550	FORWARD WALL PANEL - R/S
3	1	4100551	FORWARD WALL PANEL - C/S
4	1	4100552	BULLNOSE EXTRUSION - R/S
5	1	4100553	BULLNOSE EXTRUSION - C/S
6	2	6000363	BOLT, 3/8"-16 x 1 1/4"
7	2	6000364	BOLT, 3/8"-16 x 1 3/4"
8	4	6100377	NUT, 3/8"-16
9	0.290 lb	6300027	RIVET, SOLID - AN455AD 6-6
10	0.313 lb	6300107	RIVET, SOLID - AN455AD 6-7
11	0.185 lb	6300108	RIVET, SOLID - AN455AD 8-10
12	0.219 lb	6300110	RIVET, SOLID - AN455AD 8-12
13	0.099 lb	6300112	RIVET, SOLID - AN455AD 8-8

# FORWARD WALL SCUFF LINER

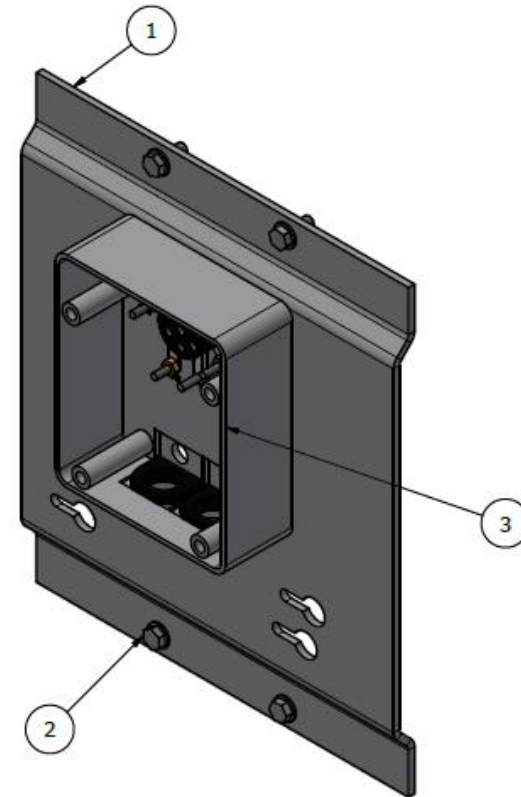
## 410N144



PARTS LIST			
ITEM	QTY	PART NUMBER	DESCRIPTION
1	1	4100064	FORWARD WALL KICK PLATE
2	12	6400214	SCREW, 1/4-20 x 1 1/2" FLOOR TORX HEAD

# AIR KIT PLATE ASSEMBLY

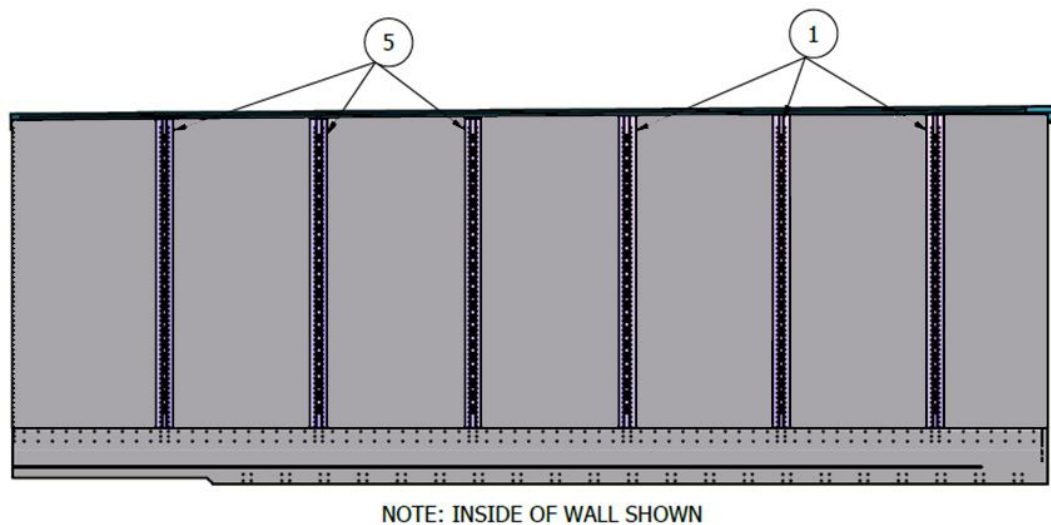
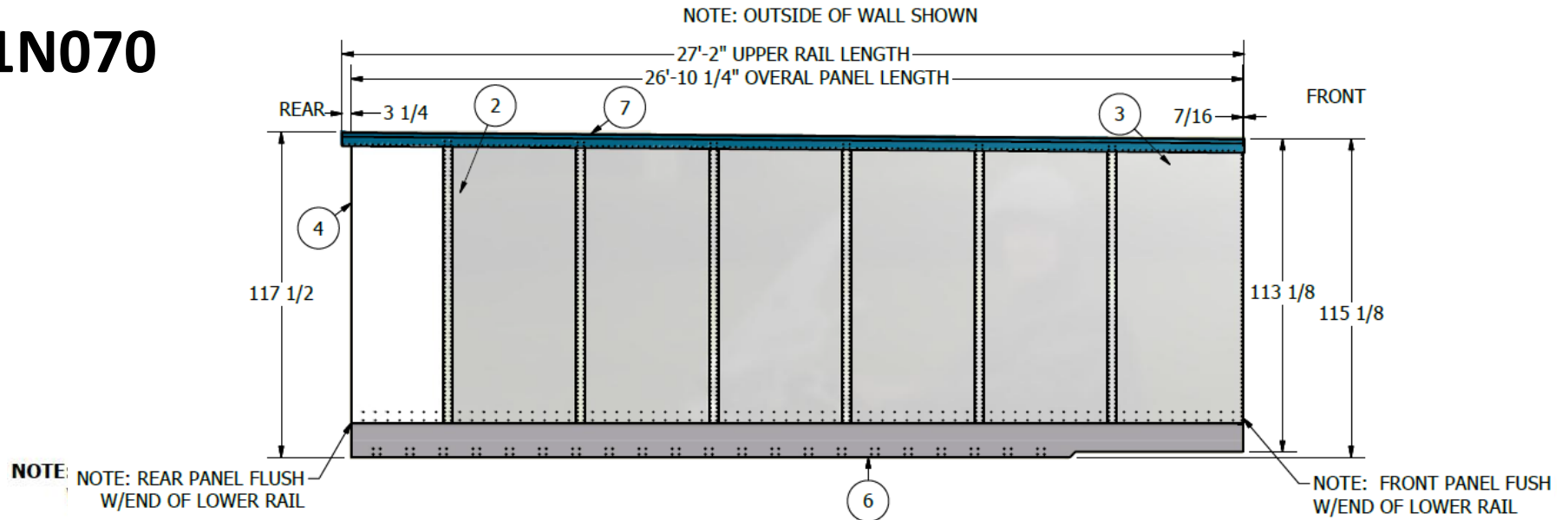
## 410N149



PARTS LIST			
ITEM	QTY	PART NUMBER	DESCRIPTION
1	1	4100700	AIR KIT PLATE
2	4	6000312	5/16"-18 x 3/4" ROLOC SELF TAPPING SCREW
3	1	8000943	7-WAY SMART BOX (PART OF 800N344)

# C/S SIDEWALL ASSEMBLY, 28' NATURAL INNER SURFACE

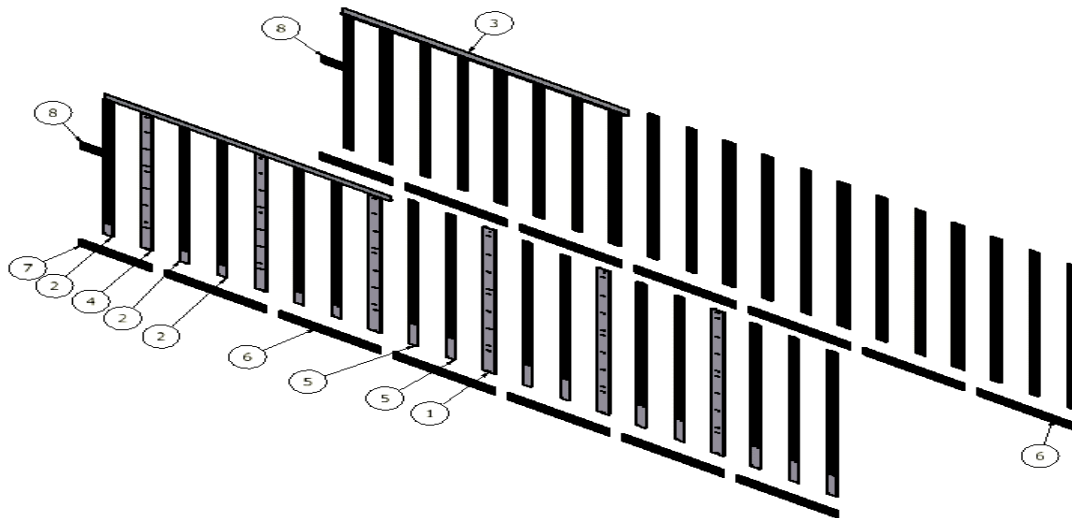
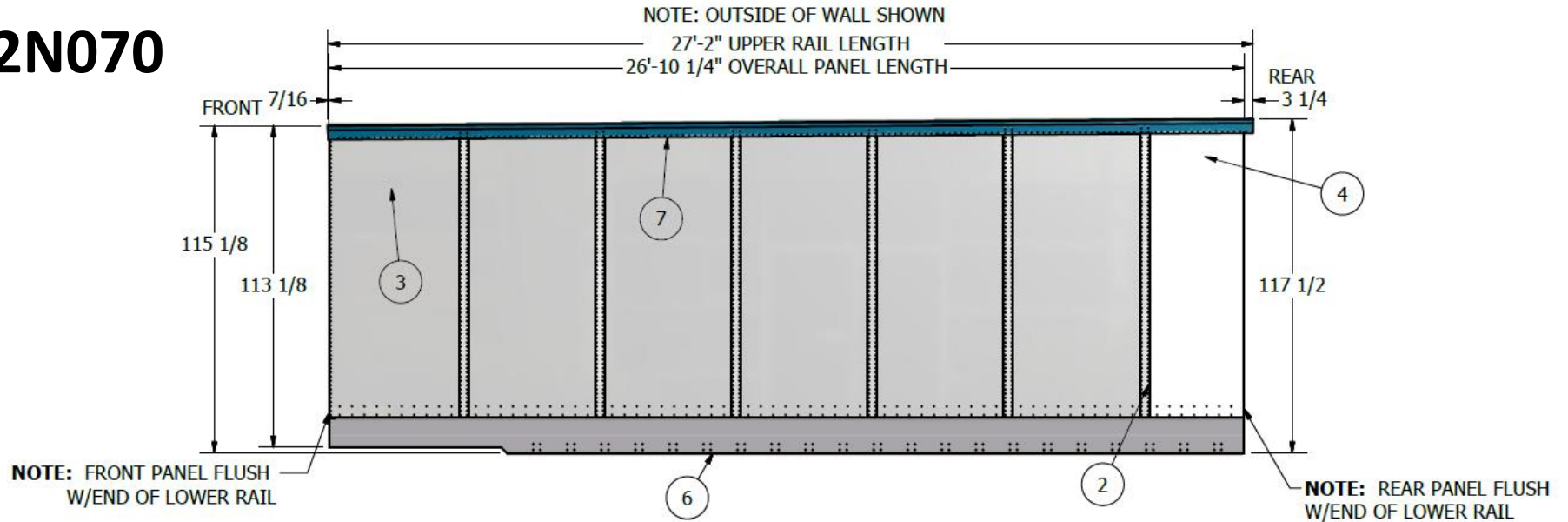
## 421N070



PARTS LIST			
ITEM	QTY	PART NUMBER	DESCRIPTION
1	3	4201116	LOGISTIC SIDEWALL POST
2	6	4201118	OUTER STRIP, PUNCHED
3	6	4201186	COMPOSITE SIDEWALL PANEL
4	1	4201188	REAR SIDEWALL PANEL
5	3	4201216	LOGISTIC SIDEWALL POST
6	1	4202012	LOWER RAIL, C/S
7	1	4203012	28' UPPER RAIL - C/S
8	93	6000352	PIN, HUCK C6LB-R12-6GA ZINC
9	18	6000363	BOLT, 3/8-16 x 1-1/4 TORX
10	93	6100352	COLLAR, HUCK - GALVANIZED
11	18	6100377	NUT, 3/8-16 NYLOK PLATED
12	0.21 lb	6300097	RIVET, SOLID - AN455AD 8-16
13	0.04 lb	6300098	RIVET, SOLID - AN455AD 8-18
14	3.88 lb	6300108	RIVET, SOLID - AN455AD 8-10
15	1.42 lb	6300110	RIVET, SOLID - AN455AD 8-12
16	1.16 lb	6300129	RIVET, SOLID - AN455AD 8-14

# R/S SIDEWALL ASSEMBLY, 28' NATURAL INNER SURFACE

## 422N070

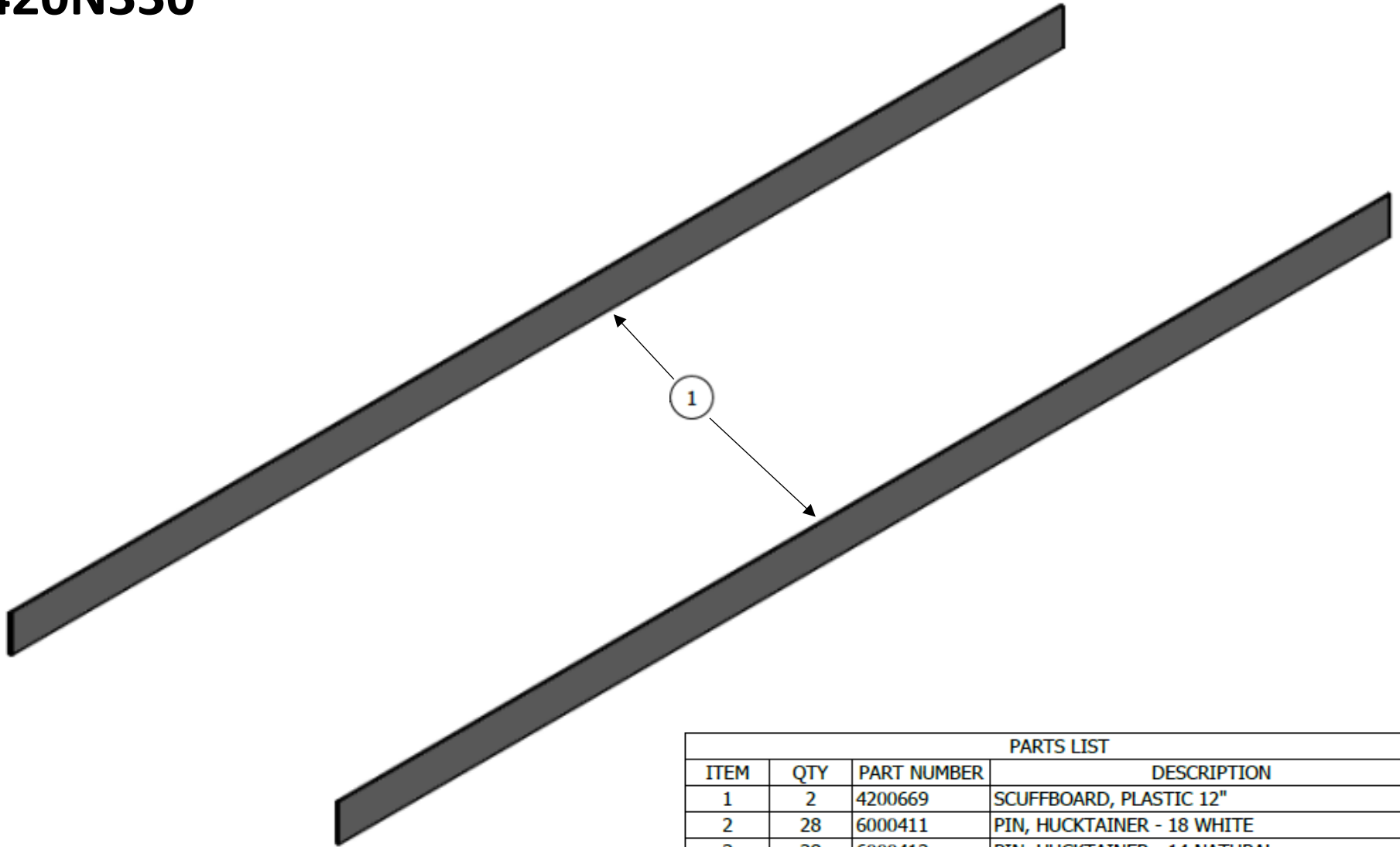


PARTS LIST			
ITEM	QTY	PART NUMBER	DESCRIPTION
1	3	4201116	LOGISTIC SIDEWALL POST
2	6	4201118	OUTER STRIP, PUNCHED
3	6	4201186	COMPOSITE SIDEWALL PANEL
4	1	4201188	REAR SIDEWALL PANEL
5	3	4201216	LOGISTIC SIDEWALL POST
6	1	4202011	LOWER RAIL, R/S
7	1	4203011	28' UPPER RAIL - R/S
8	93	6000352	PIN, HUCK C6LB-R12-6GA ZINC
9	18	6000363	BOLT, 3/8-16 x 1-1/4 TORX
10	93	6100352	COLLAR, HUCK - GALVANIZED
11	18	6100377	NUT, 3/8-16 NYLOK PLATED
12	0.21 lb	6300097	RIVET, SOLID - AN455AD 8-16
13	0.04 lb	6300098	RIVET, SOLID - AN455AD 8-18
14	3.88 lb	6300108	RIVET, SOLID - AN455AD 8-10
15	1.42 lb	6300110	RIVET, SOLID - AN455AD 8-12
16	1.16 lb	6300129	RIVET, SOLID - AN455AD 8-14



# SIDEWALL SCUFF LINER ASSEMBLY, LTL28'

420N330

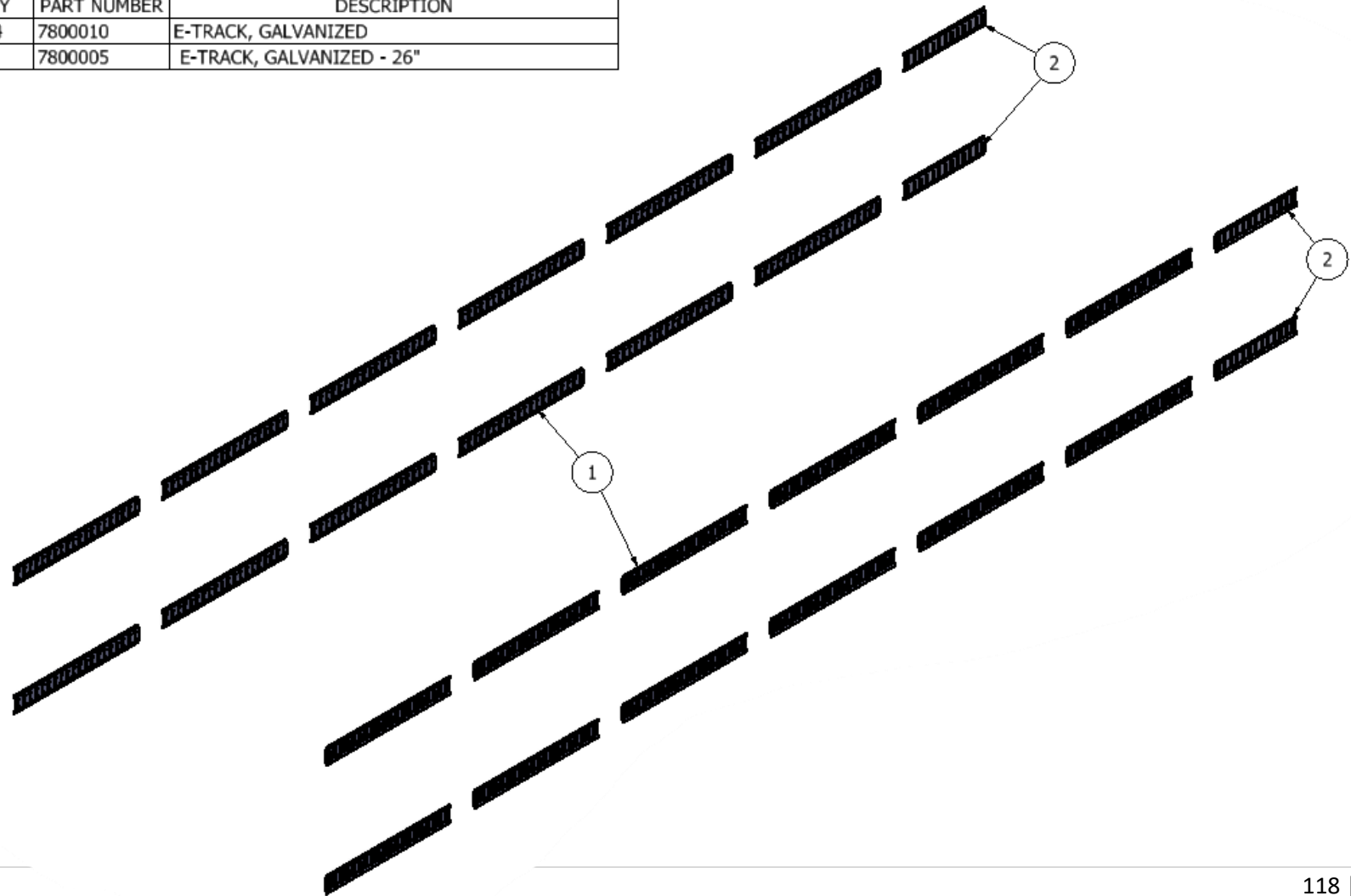


PARTS LIST			
ITEM	QTY	PART NUMBER	DESCRIPTION
1	2	4200669	SCUFFBOARD, PLASTIC 12"
2	28	6000411	PIN, HUCKTAINER - 18 WHITE
3	28	6000412	PIN, HUCKTAINER - 14 NATURAL
4	56	6100411	COLLAR, HUCKTAINER - MEDIUM

# E-TRAK ASSEMBLY, LTL28' LIFTGATE

## 420N203

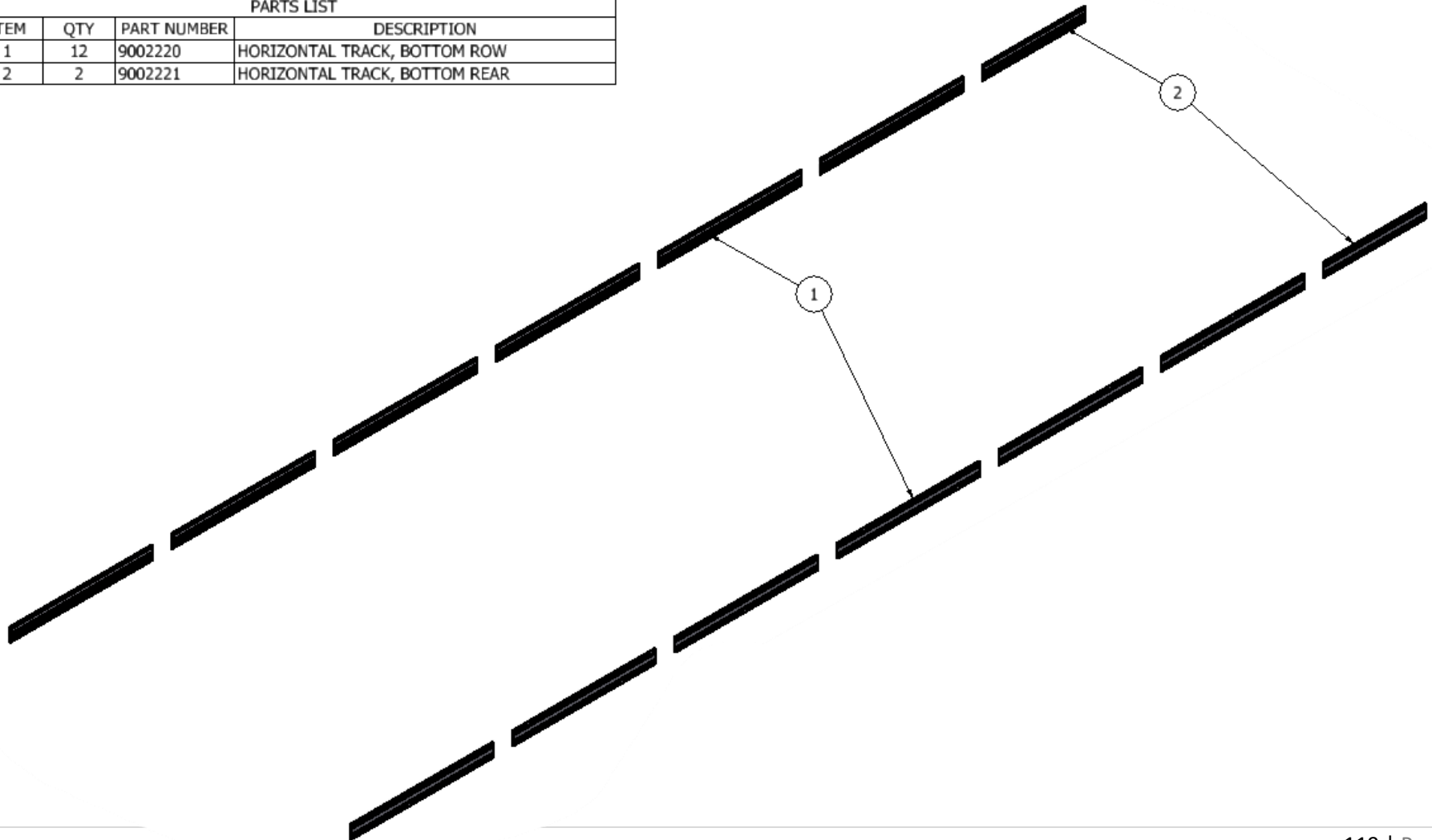
PARTS LIST			
ITEM	QTY	PART NUMBER	DESCRIPTION
1	24	7800010	E-TRACK, GALVANIZED
2	4	7800005	E-TRACK, GALVANIZED - 26"



# ANCRA LIFT-A-DECK, LTL28' EXTENDED TRACK

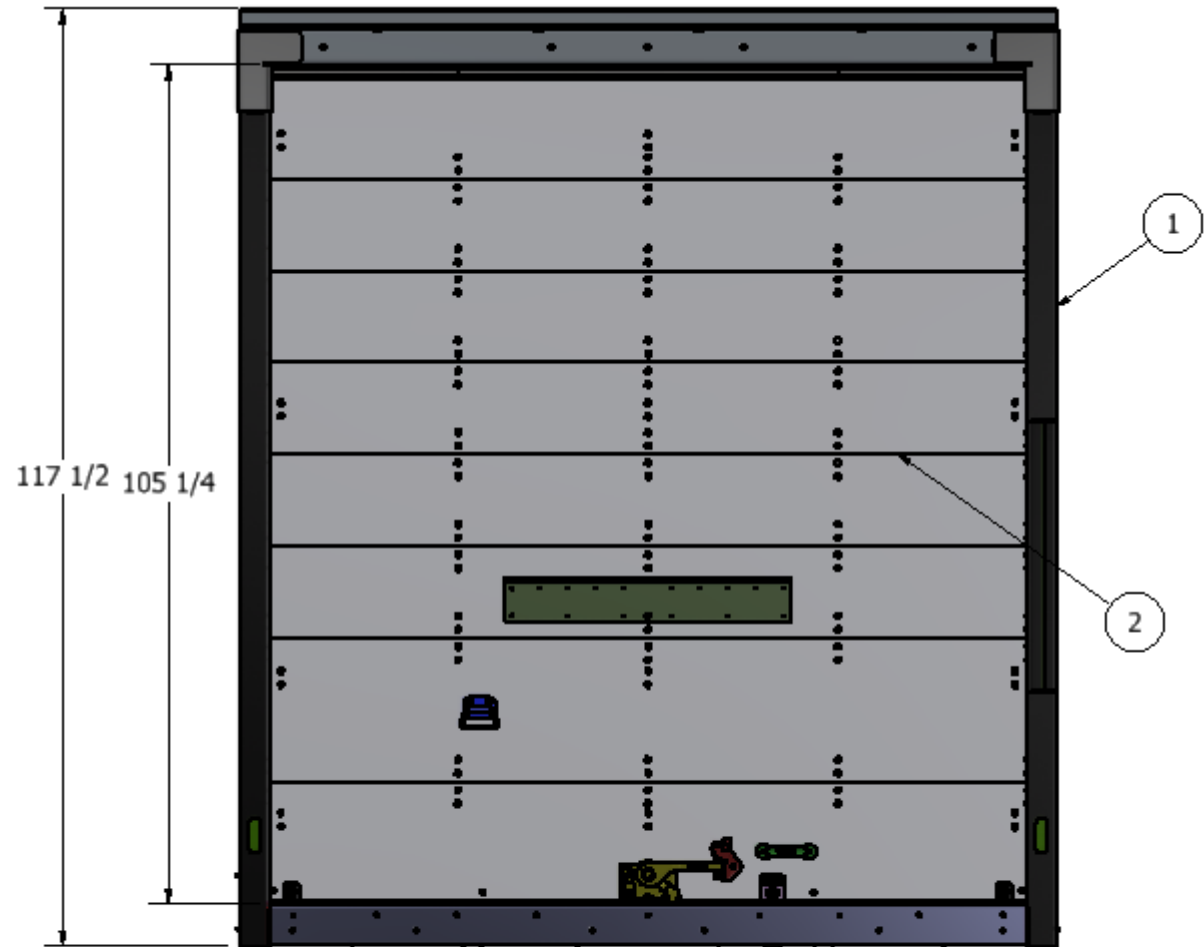
## 420N916

PARTS LIST			
ITEM	QTY	PART NUMBER	DESCRIPTION
1	12	9002220	HORIZONTAL TRACK, BOTTOM ROW
2	2	9002221	HORIZONTAL TRACK, BOTTOM REAR



# ROLL UP DOOR ASSEMBLY

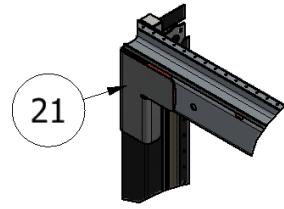
## 500M114



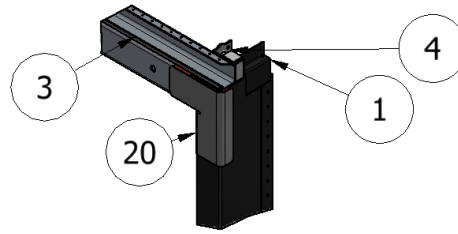
PARTS LIST			
ITEM	QTY	PART NUMBER	DESCRIPTION
1	1	430M042-G	DOOR FRAME ASSEMBLY
3	20	6300158 -G	RIVET, POP - SSD86SSBS (1/4" D x 3/8" L)
2	1	4300649 -G	DOOR, ROLL-UP, 3/8" COMPOSITE

# DOOR FRAME ASSEMBLY

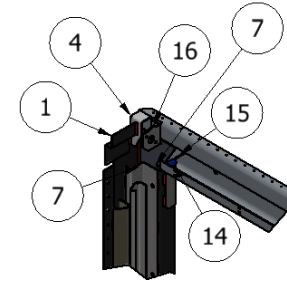
## 430M042-G



DETAIL B  
SCALE 1 / 20

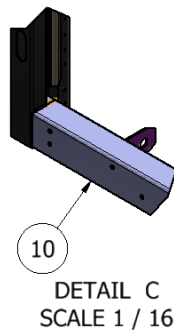
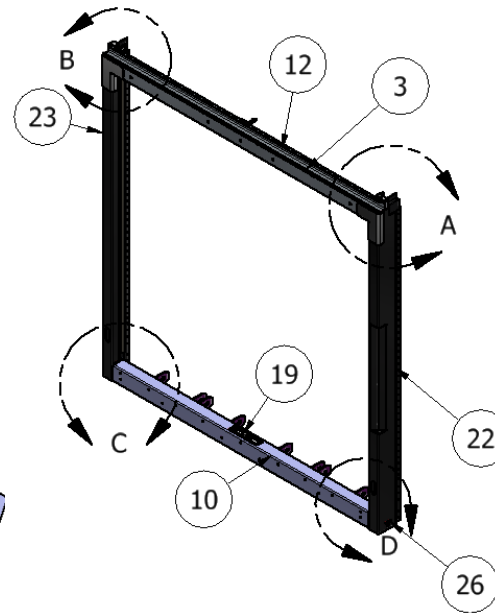


DETAIL A  
SCALE 1 / 20

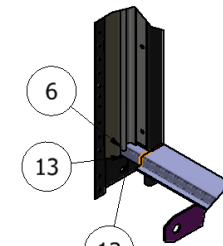
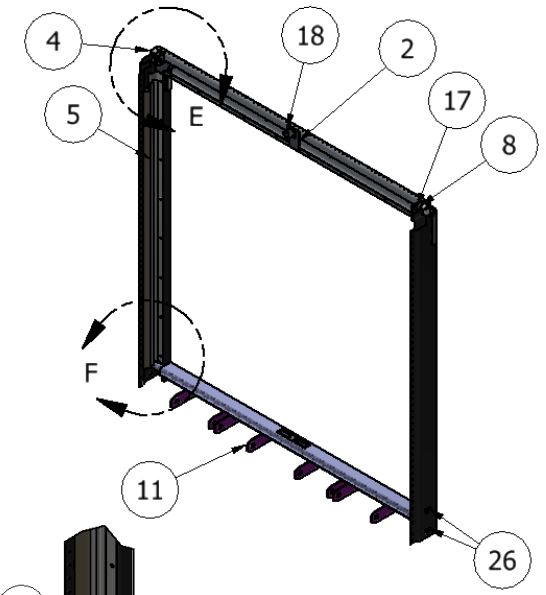


DETAIL E  
SCALE 1 / 16

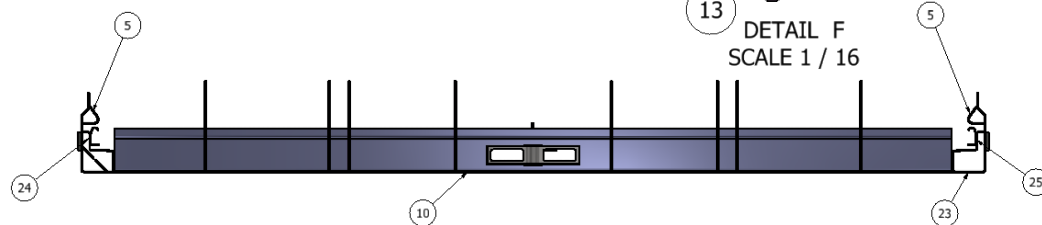
PARTS LIST			
ITEM	QTY	PART NUMBER	DESCRIPTION
1	2	4100407	SUPPORT, UPPER RAIL 53'
2	1	4300119	BRACKET, CENTER SPRING
3	1	4300206	ANGLE, RAIN GUTTER - CARBON
4	1	4300564	C/S DOOR FRAME GUSSET
5	2	4300582	DOOR TRACK GUARD
6	2	4300583	DOOR POST SPACER
7	2	4300584	FRONT CORNER GUSSET
8	1	4300590	R/S DOOR FRAME GUSSET
9	2	4300647	DOOR LATCH PLATE FILLER
10	1	4300654-G	DOOR SILL, FORMED, LG
11	8	4300655	DOOR SILL GUSSET
12	1	4300979-G	DOOR HEADER
13	2	4300993	GUSSET, DOOR SILL FILLER
14	2	4306229	HEADER HARNESS PROTECTOR
15	2	4306236	REAR CORNER GUSSET
16	1	59314.1000	C/S SPRING BRACKET
17	1	59314.2000	R/S SPRING BRACKET
18	1	59317	CENTER SPRING BRACKET
19	1	70339	TODCO DOOR LATCH PLATE
20	1	9000025	C/S DOOR FRAME BRACKET
21	1	9000026	R/S DOOR FRAME BRACKET
22	1	4300657-G	DOOR POST, C/S
23	1	4300658-G	DOOR POST, R/S
24	1	50403.013368	DOOR TRACK
25	1	50403.023368	DOOR TRACK
26	3	43073312	LIGHT GUARD



DETAIL C  
SCALE 1 / 16



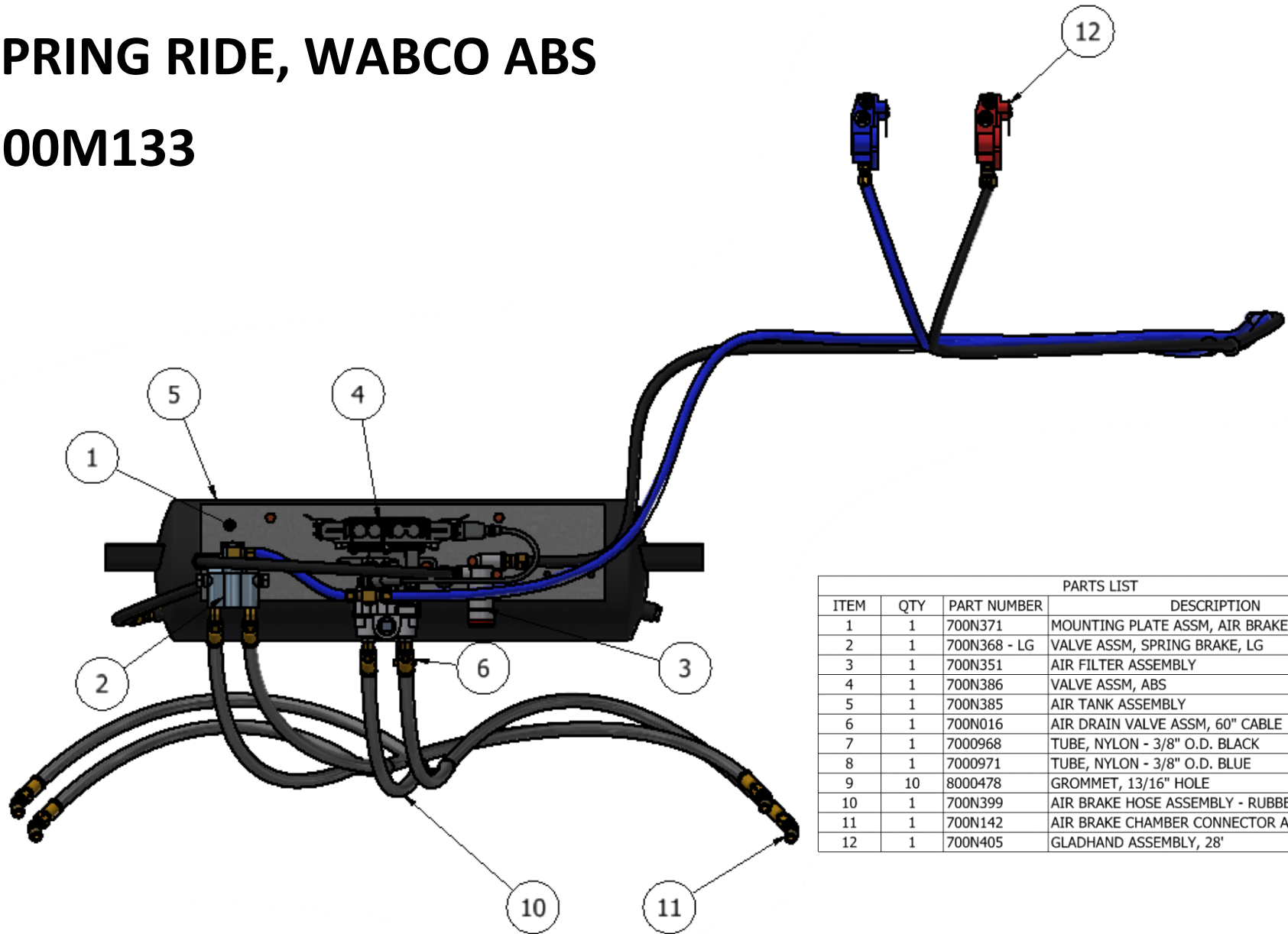
DETAIL F  
SCALE 1 / 16



# AIR BRAKE ASSEMBLY, LTL 28' LIFTGATE

## SPRING RIDE, WABCO ABS

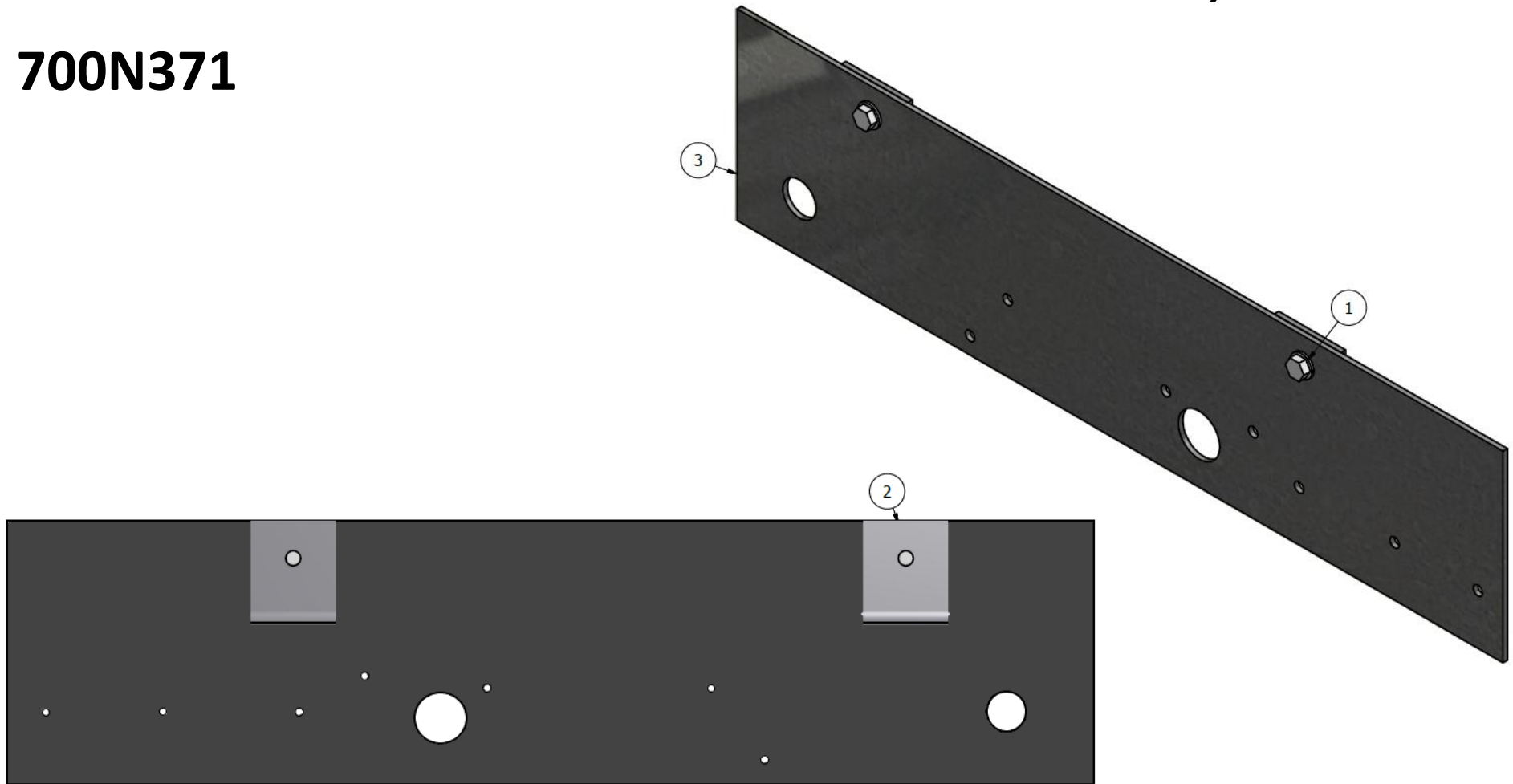
### 700M133



PARTS LIST			
ITEM	QTY	PART NUMBER	DESCRIPTION
1	1	700N371	MOUNTING PLATE ASSM, AIR BRAKE VAVLE
2	1	700N368 - LG	VALVE ASSM, SPRING BRAKE, LG
3	1	700N351	AIR FILTER ASSEMBLY
4	1	700N386	VALVE ASSM, ABS
5	1	700N385	AIR TANK ASSEMBLY
6	1	700N016	AIR DRAIN VALVE ASSM, 60" CABLE
7	1	7000968	TUBE, NYLON - 3/8" O.D. BLACK
8	1	7000971	TUBE, NYLON - 3/8" O.D. BLUE
9	10	8000478	GROMMET, 13/16" HOLE
10	1	700N399	AIR BRAKE HOSE ASSEMBLY - RUBBER LTL28 2017
11	1	700N142	AIR BRAKE CHAMBER CONNECTOR ASSM
12	1	700N405	GLADHAND ASSEMBLY, 28'

# AIR BRAKE VALVE MOUNTING PLATE ASSEMBLY, LTL28'

700N371

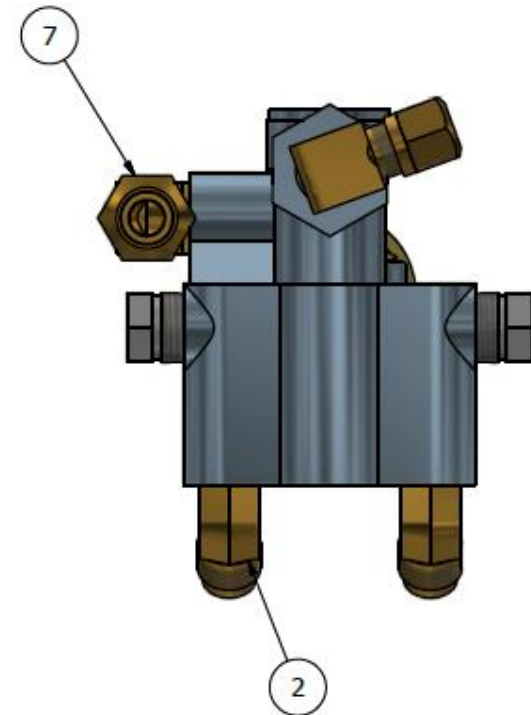
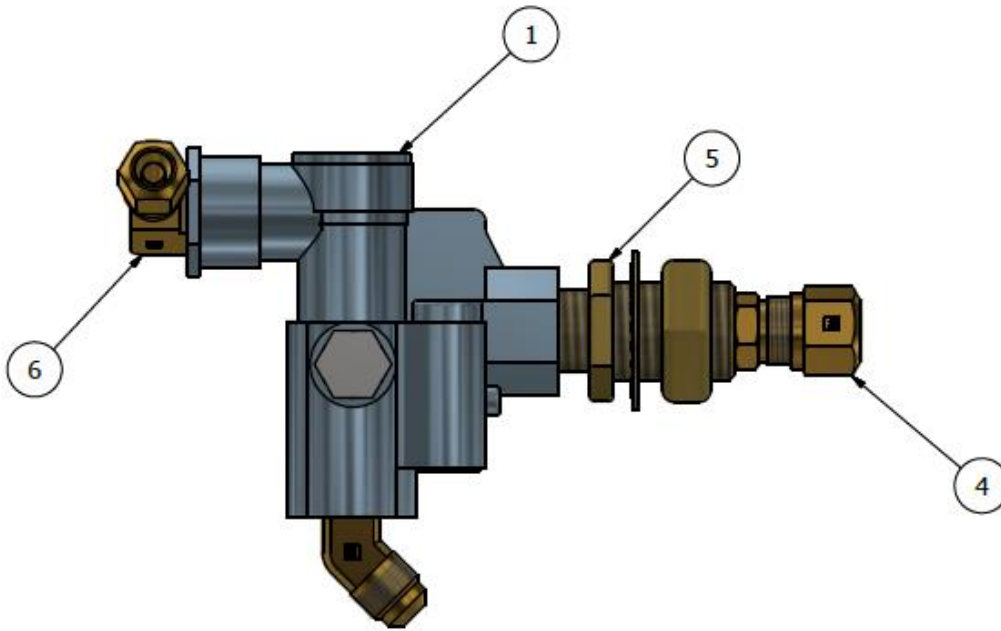


PARTS LIST			
ITEM	QTY	PART NUMBER	DESCRIPTION
1	2	6000312	BOLT, 5/16"-18 x 3/4" TRILOBULAR SELF TAPPING
2	2	7000063	MOUNTING ANGLE, AIR KIT PLATE
3	1	7000064	MOUNTING PLATE, AIR BRAKE VALVE



# SPRING BRAKE VALVE ASSEMBLY, LTL28'

## 700N368

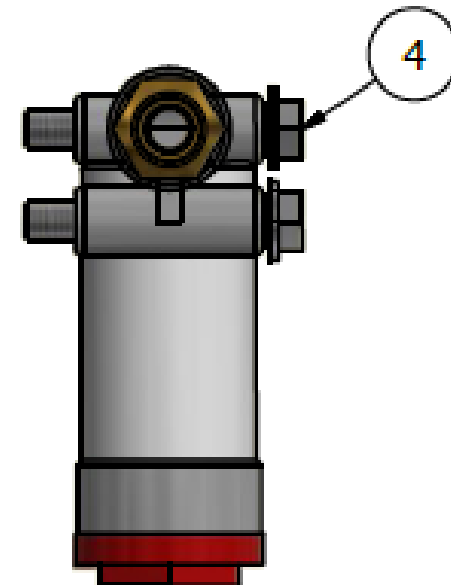
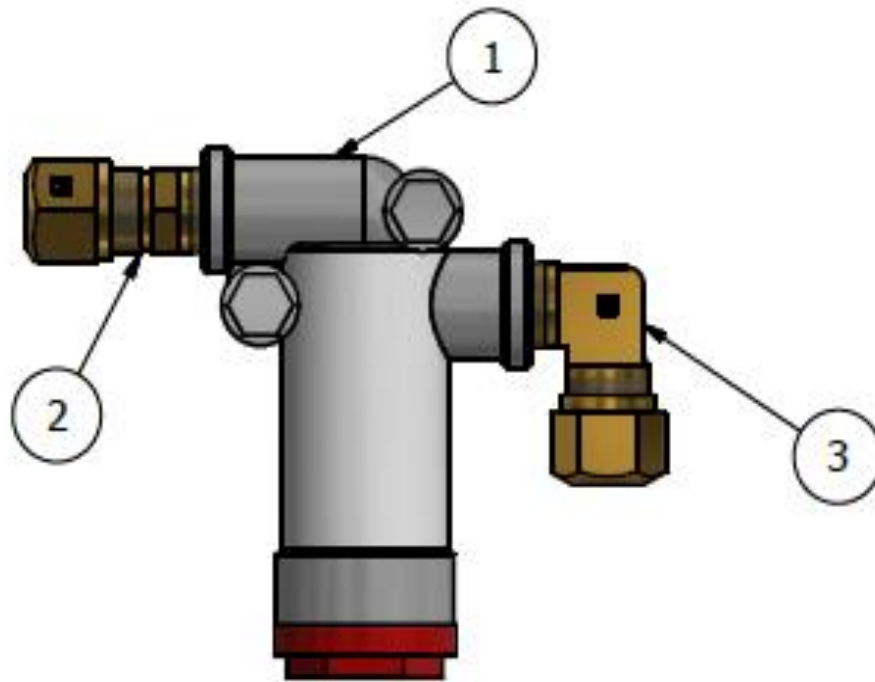


PARTS LIST			
ITEM	QTY	PART NUMBER	DESCRIPTION
1	1	7001213	VALVE, SPRING BRAKE
2	2	7000216	FITTING, 45 DEGREE ELBOW
3	2	7000851	FITTING, PIPE PLUG 3/8"
4	1	7000143	FITTING, MALE 68NTA-8-6
5	1	7000188	CLAMPING STUD, 3/4" X 1/2"
6	1	7045008	FITTING, 90 DEGREE ELBOW VS269NTA-6-6
7	1	7045009	FITTING, 90 DEGREE ELBOW VS269NTA-8-6

VALVE:  
SEALCO 110700

# AIR FILTER ASSEMBLY, LTL28' LIFTGATE

## 700N351



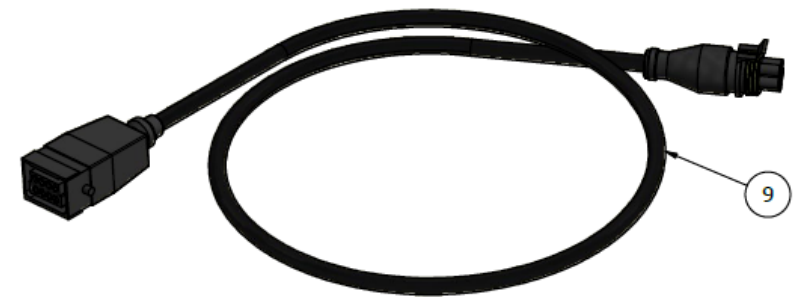
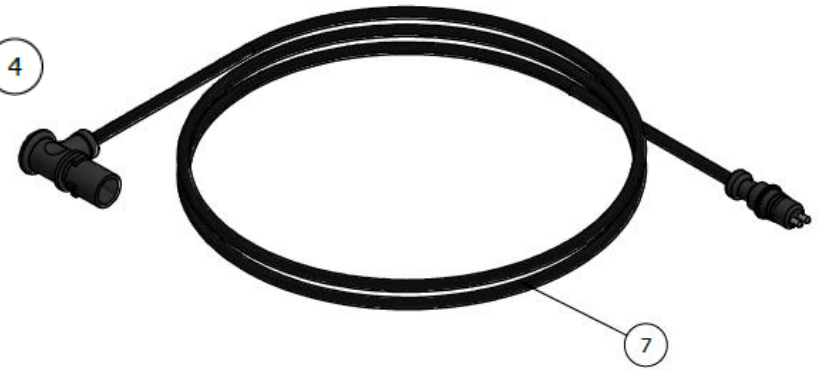
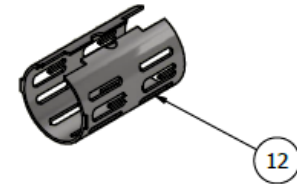
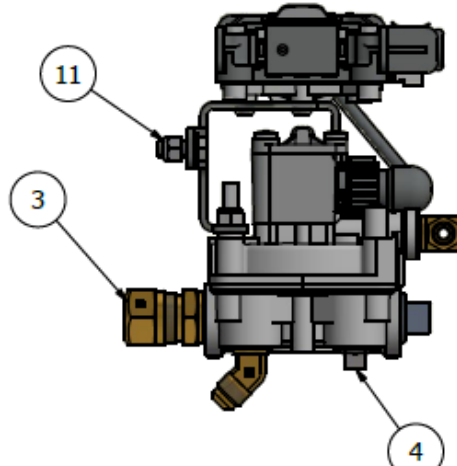
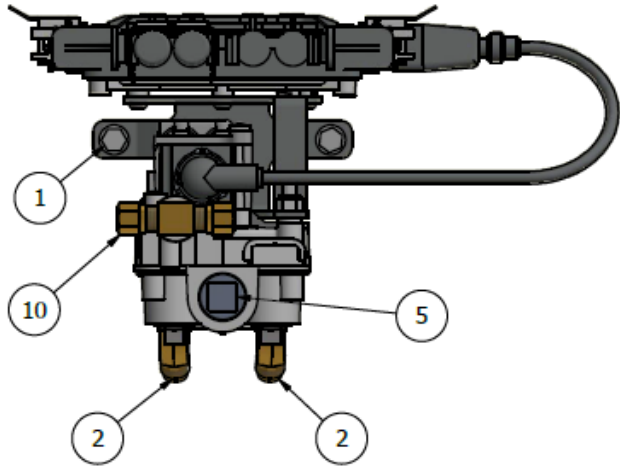
PARTS LIST			
ITEM	QTY	PART NUMBER	DESCRIPTION
	1	700N351	AIR FILTER ASSEMBLY
1	1	7000110	VALVE, FILTER LINE-AIR BRAKE
2	1	7000143	FITTING, MALE CONNECTOR
3	1	7045009	FITTING, ELBOW 90 DEGREE
4	2	6000345	BOLT, 5/16"- 18 x 2"

VALVE:

SEALCO 2550

# ABS VALVE ASSEMBLY, LTL28' LIFTGATE

## 700N386



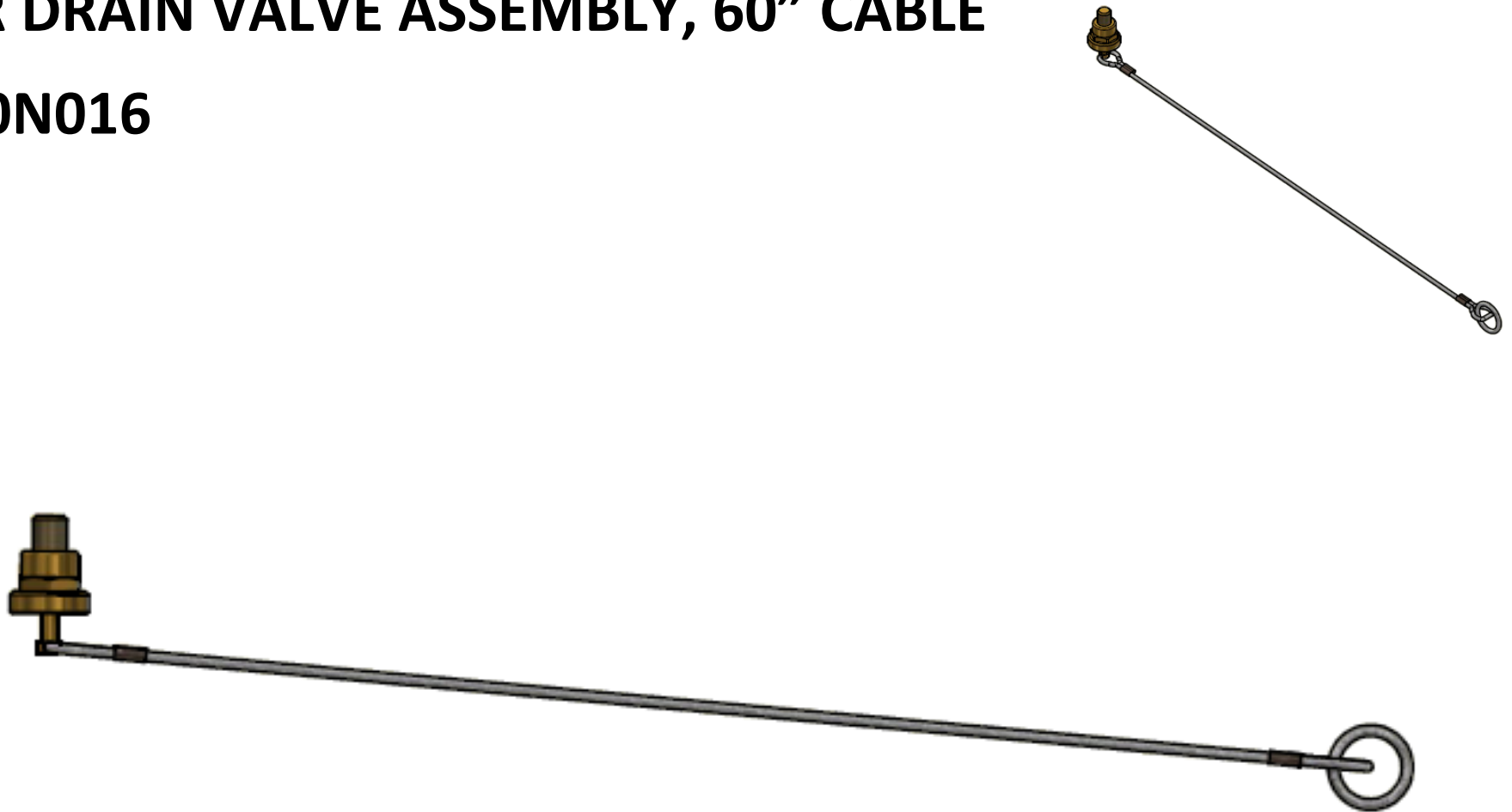
PARTS LIST			
ITEM	QTY	PART NUMBER	DESCRIPTION
	1	700N386	ABS VALVE ASSEMBLY
1	2	6000312	BOLT, 5/16" -18 x 3/4"
2	2	7000216	FITTING, MALE CONNECTOR
3	1	7000217	FITTING, MALE CONNECTOR
4	1	7000851	PIPE PLUG, 3/8"
5	1	7000856	PIPE PLUG, 3/4"
6	2	7001218	SPEED SENSOR, MERITOR
7	2	7001223	ABS, SENSOR WIRE
8	1	7001229	ABS VALVE
9	1	7001232	ABS, POWER HARNESS
10	1	7045014	FITTING, MALE BRANCH TEE
11	2	6100382	NUT, 3/8" - 16 LOCK STOVER
12	2	7001224	ABS, SENSOR CLIP

VALVE:

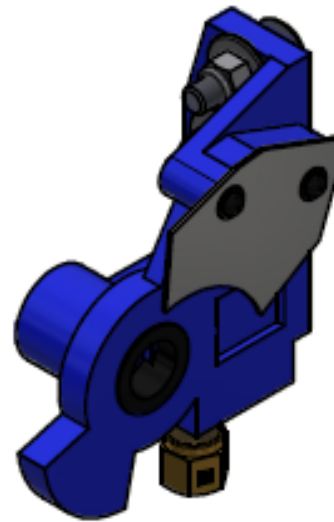
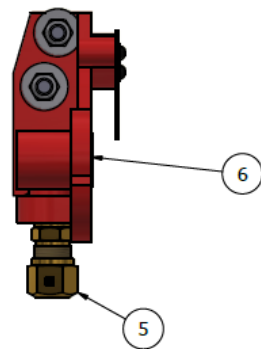
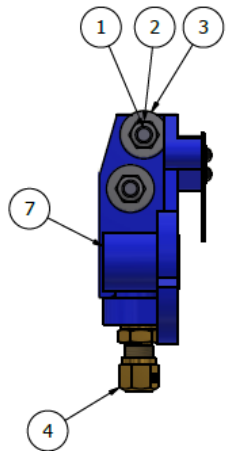
MERITOR S400-500-101 0

# AIR DRAIN VALVE ASSEMBLY, 60" CABLE

## 700N016



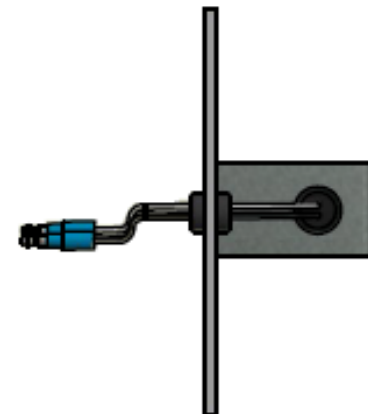
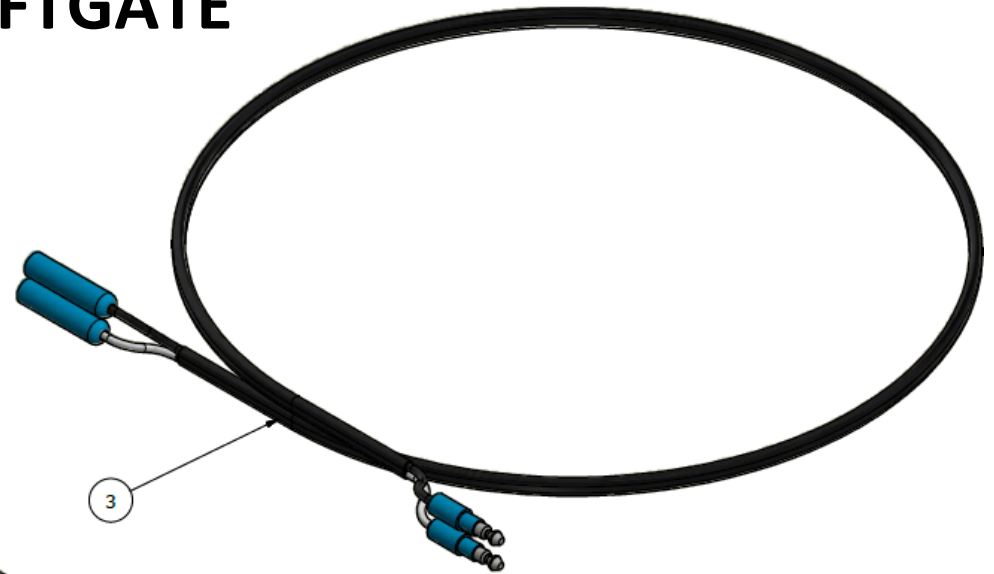
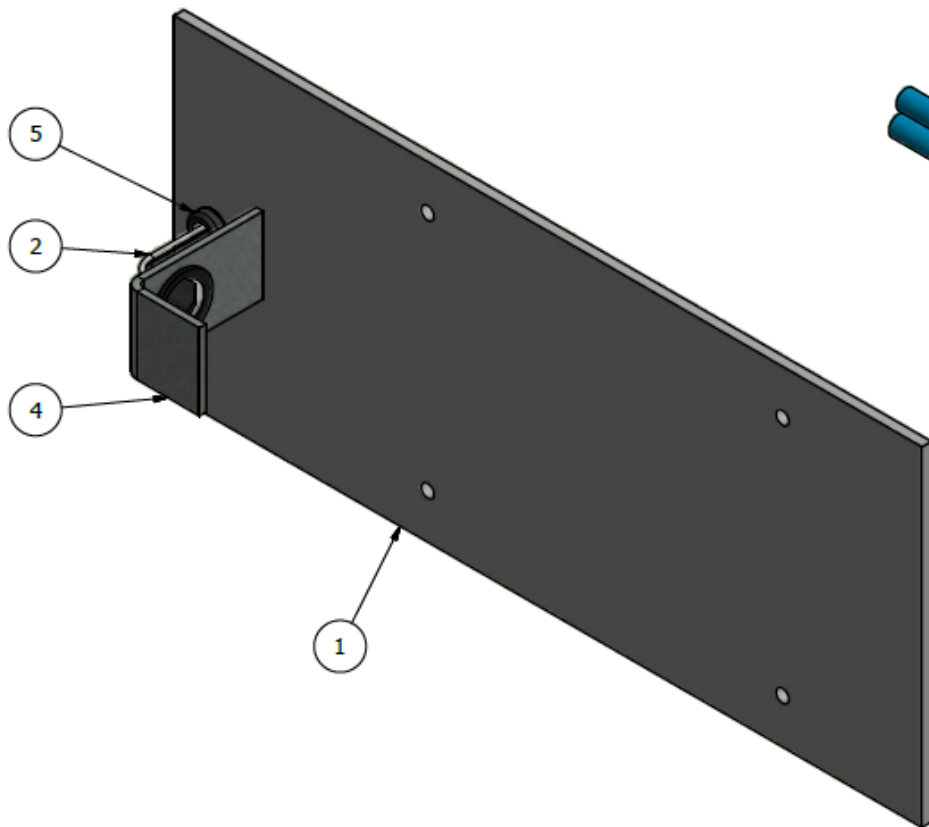
# GLADHAND ASSEMBLY-FRONT, LTL 28' AND LG 700N405



PARTS LIST			
ITEM	QTY	PART NUMBER	DESCRIPTION
1	4	6000961	BOLT, 5/16-18 x 1 1/4" CARRIAGE, GRADE 5 PLATED
2	4	6100316	NUT, 5/16-18 LOCK, NYLON
3	4	6200312	WASHER, 5/16" ID x 7/8" OD
4	1	7000141	FITTING, MALE 68NTA-6-6
5	1	7000143	FITTING, MALE 68NTA-8-6
6	1	7001297	GLADHAND, 38D, EMERGENCY, CAST
7	1	7001298	GLADHAND, 38D, CONTROL, CAST

# LICENSE PLATE ASSEMBLY, LIFTGATE

## 800N318

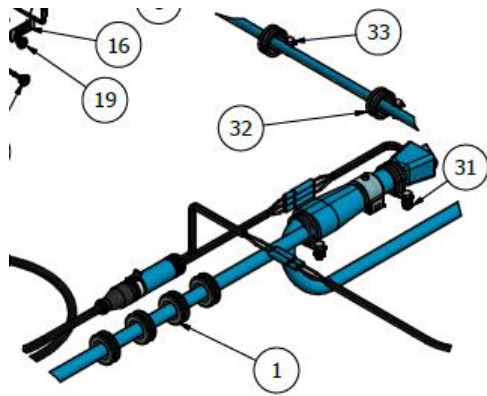


### PARTS LIST

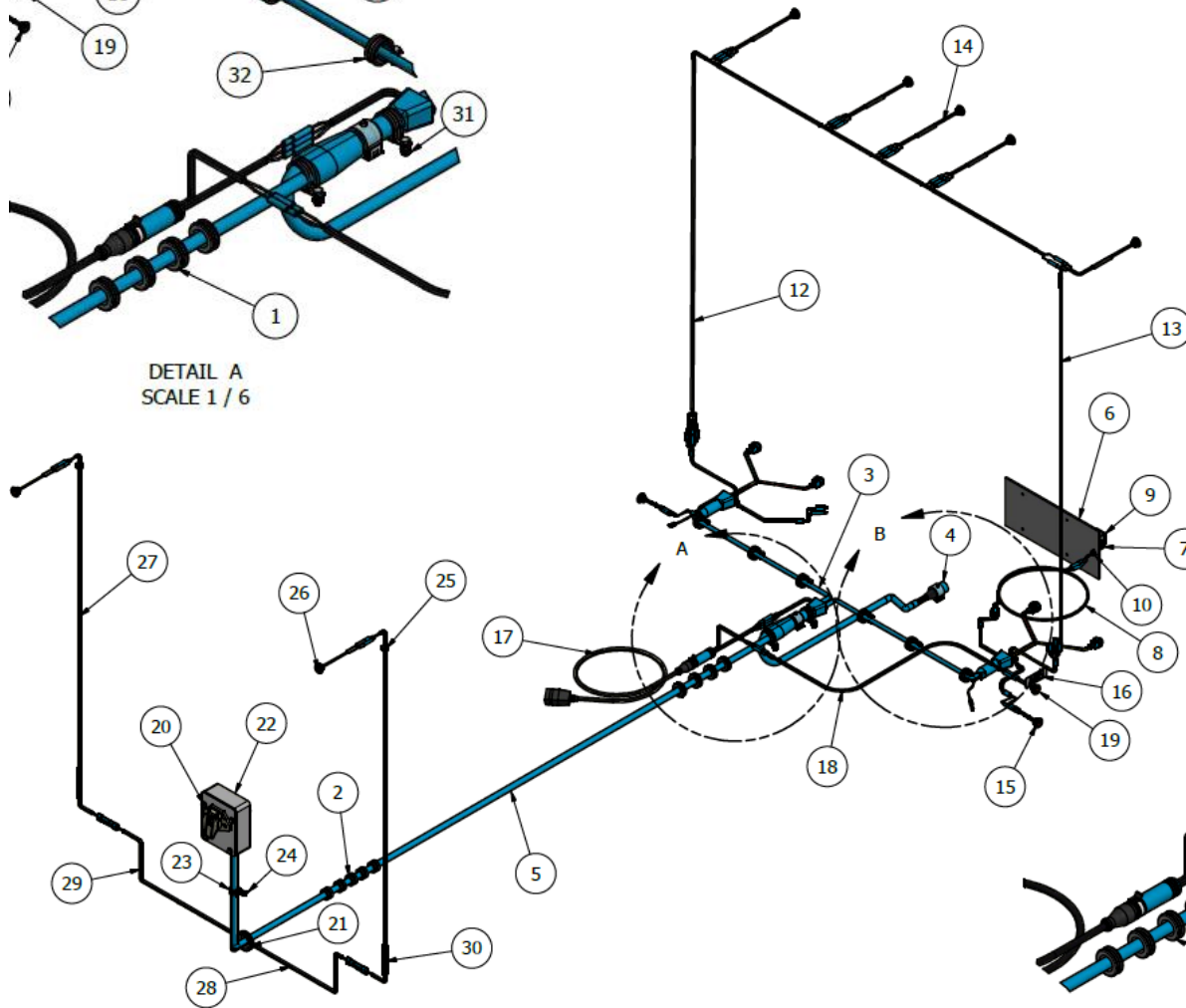
ITEM	QTY	PART NUMBER	DESCRIPTION
1	1	2400199	BRACKET, LICENSE PLATE
2	1	8000196	LICENSE LIGHT MICRONOVA
3	3	8000197	MARKER LIGHT JUMPER 36"
4	1	8000198	PINTLE HOOK LAMP MOUNTING BRACKET
5	1	8000458	GROMMET 5/8" HOLE SIZE

# ELECTRICAL ASSEMBLY, LTL28' LG

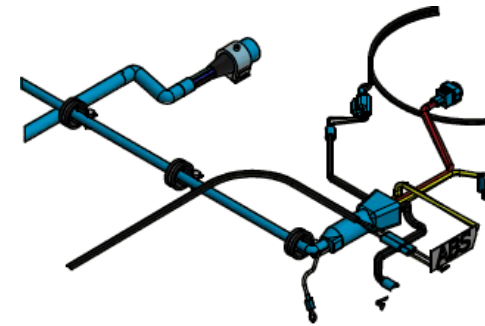
## 800M124



DETAIL A  
SCALE 1 / 6



PARTS LIST			
ITEM	QTY	PART NUMBER	DESCRIPTION
1	8	8000459	GROMMET 1 3/4"
2	4	8000477	GROMMET 1"
3	1	8000550	REAR SILL HARNESS
4	1	8000577	DUMMY PLUG REAR 7-WAY
5	1	8000598	MAIN HARNESS
6	1	2400199	BRACKET, LICENSE PLATE
7	1	8000196	LICENSE LIGHT MICRO-NOVA
8	3	8000197	MARKER LIGHT JUMPER
9	1	8000198	PINTLE HOOK LAMP MOUNT
10	1	8000458	GROMMET 5/8"
11	1	8000451	GROMMET, 1 1/16"
12	1	8000553	DOOR HEADER HARNESS
13	1	8000554	TURN SIGNAL JUMPER
14	5	8000571	MICRO-NOVA DOT DUAL RED LED
15	2	8000570	MICRO-NOVA DOT RED LED
16	1	7500200	ABS FAULT LAMP DECAL
17	1	8000560	ABS POWER HARNESS
18	1	8000561	ABS LIGHT JUMPER HARNESS
19	1	8000573	MICRO-NOVA DOT AMBER
20	4	6000298	BOLT, 5/16" - 18 x 2 1/2"
21	1	8000476	GROMMET, 2"
22	1	8000943	7-WAY SMART BOX
23	1	8000261	CLAMP, RUBBER CUSHION
24	1	6300015	RIVET, POP
25	2	8000458	GROMMET, 5/8"
26	2	8000572	MICRO-NOVA DOT AMBER
27	2	8000594	FORWARD WALL HARNESS
28	1	8000596	JUMPER HARNESS 36"
29	1	8000597	JUMPER HARNESS 96"
30	1	8000997	SPLIT LOOM
31	8	6100256	NUT 1/4" - 20
32	8	8000275	CLAMP, CUSHION 1 1/4"
33	8	6000275	BOLT, 1/4" - 20 x 3/4"

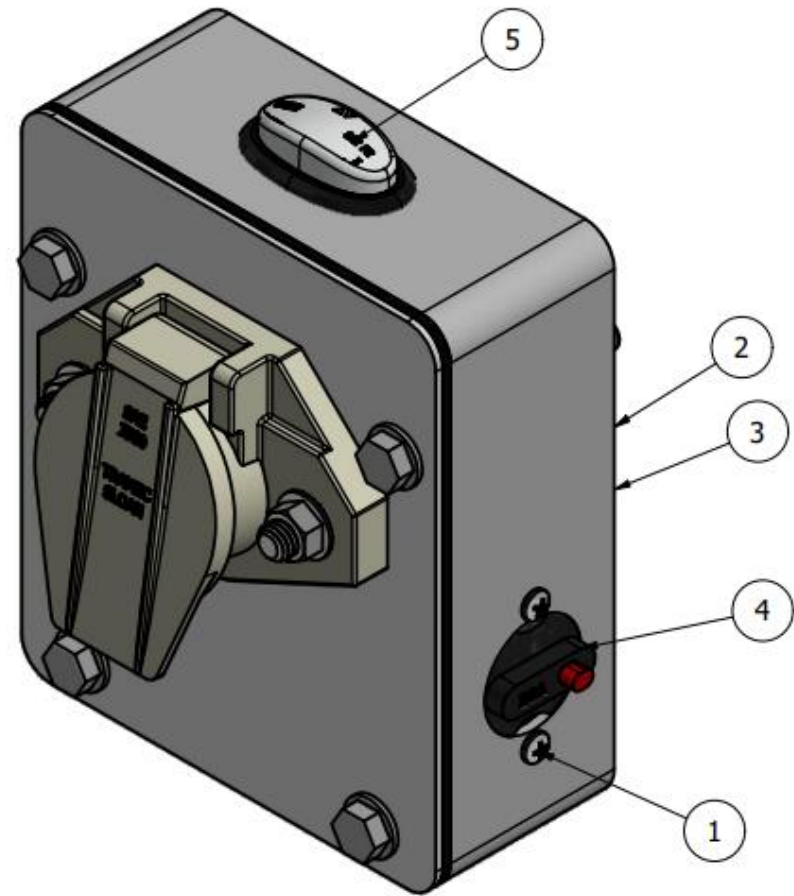
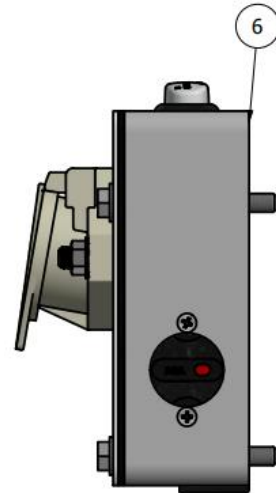
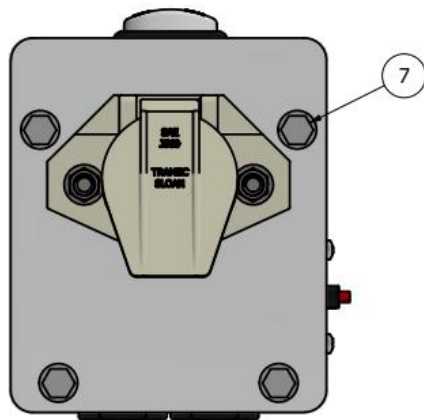
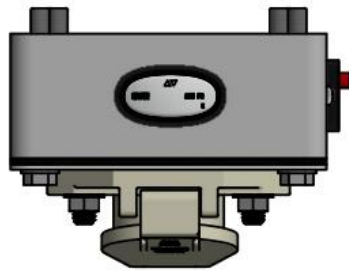


DETAIL B  
SCALE 1 / 6



# 7 WAY LIFTGATE ASSEMBLY

## 800N552



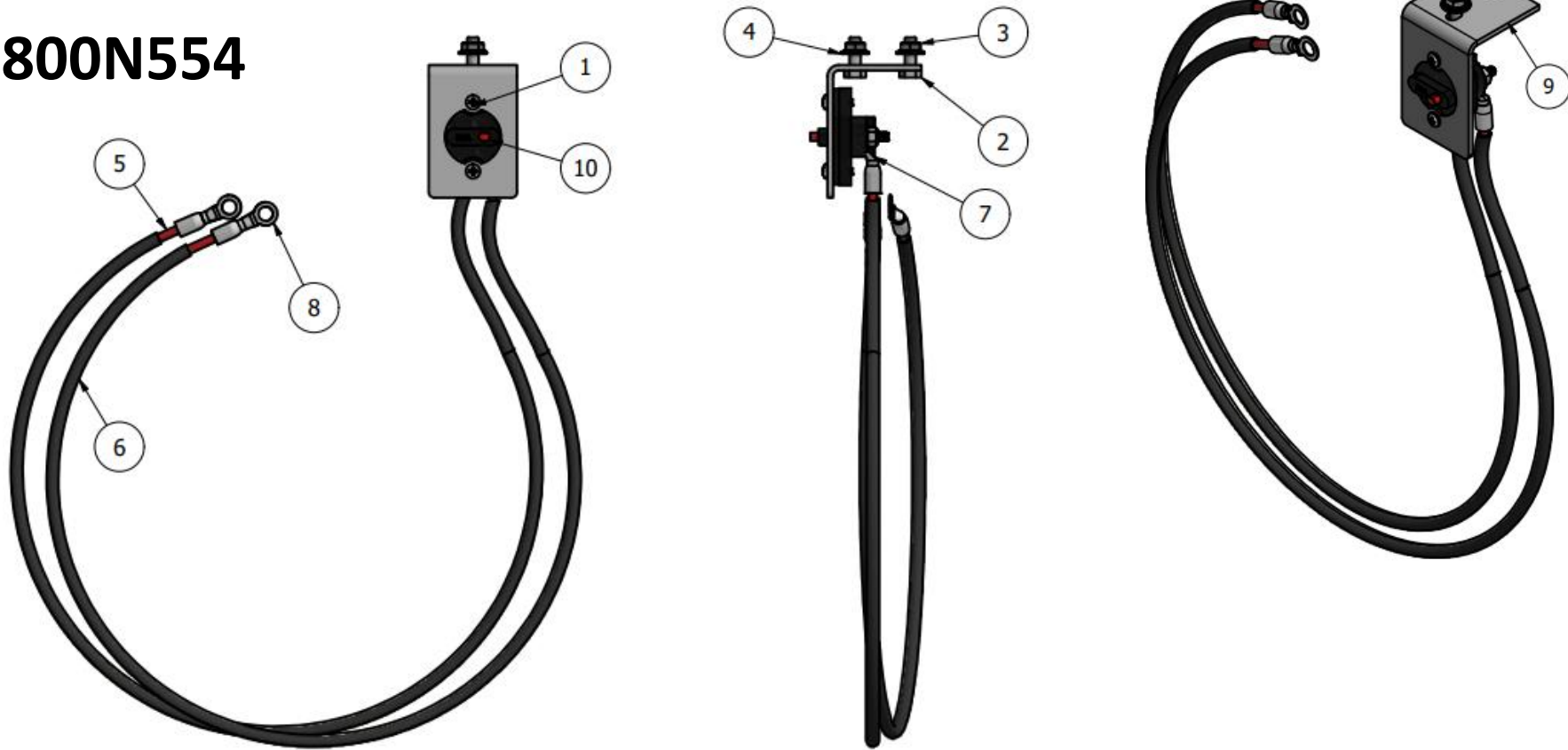
PARTS LIST			
ITEM	QTY	PART NUMBER	DESCRIPTION
	1	800N552	7 WAY LIFTGATE ASSEMBLY
1	2	6000003	MACHINE SCREW 8-32 x 3/4" STAINLESS
2	.75 FT	8000988	WIRE, WHITE 8 AWG
3	2	8001025	ELECTRICAL, CONNECTOR 8AWG RING #10
4	1	8003100	BREAKER, 30 AMP MANUAL RESET
5	1	8003104	INDICATOR LIGHT, BICOLOR
6	1	8000943	7 WAY SMAT BOX
7	4	6000298	BOLT, 5/16-18 x 2 1/2" TAPLITE SELF DRILL

7-WAY BOX

TRAMEC 38521

# CIRCUIT BREAKER ASSEMBLY LIFTGATE

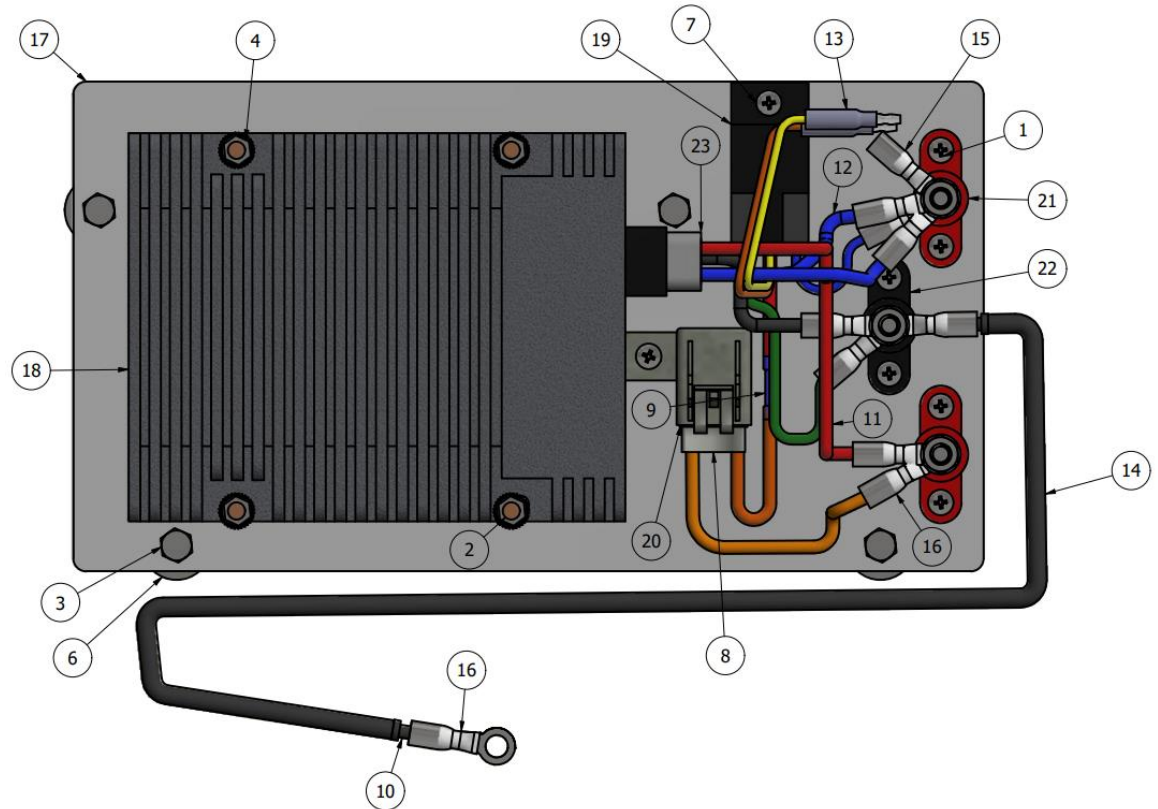
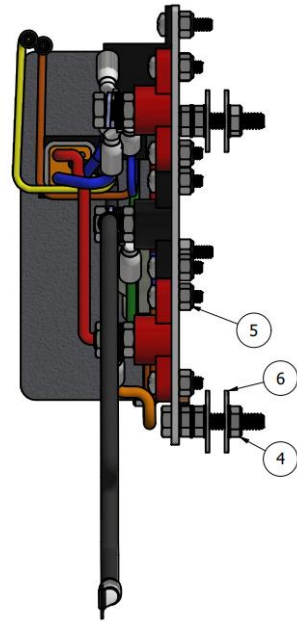
## 800N554



PARTS LIST			
ITEM	QTY	PART NUMBER	DESCRIPTION
	1	800N554	CIRCUIT BREAKER ASSEMBLY LIFTGATE
1	2	600003	MACHINE SCREW 8-32 x3/4" STAINLESS
2	2	6000275	BOLT, 1/4-20 x 3/4" GRADE 8
3	2	6100256	NUT, 1/4-20 KEP STAINLESS
4	2	6200251	WASHER 1/4" FLAT STAINLESS
5	5 FT	8000985	WIRE, RED 10 AWG
6	5	8000996	SPLIT LOOM 1/4"
7	2	8001023	ELECTRICAL, CONNECTOR 10/12 #10 RING
8	2	8001024	ELECTRICAL, CONNECTOR 10/12 5/16" RING
9	1	8003001	BRACKET, CIRCUIT BREAKER
10	1	8003100	BREAKER, 30 AMP MANUAL RESET

# CHARGER ASSEMBLY LIFTGATE

## 800N558



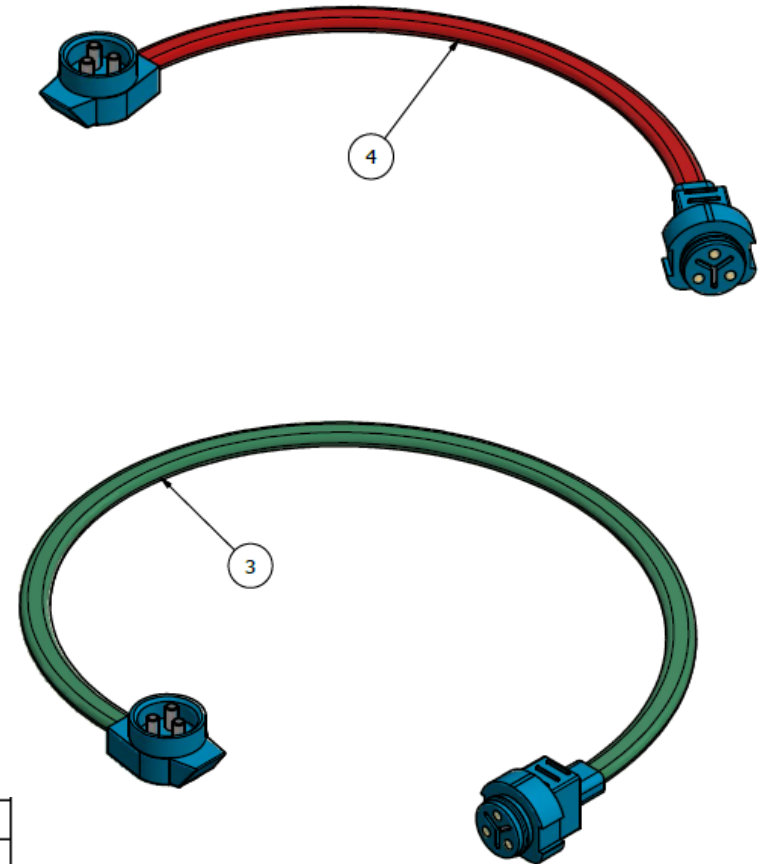
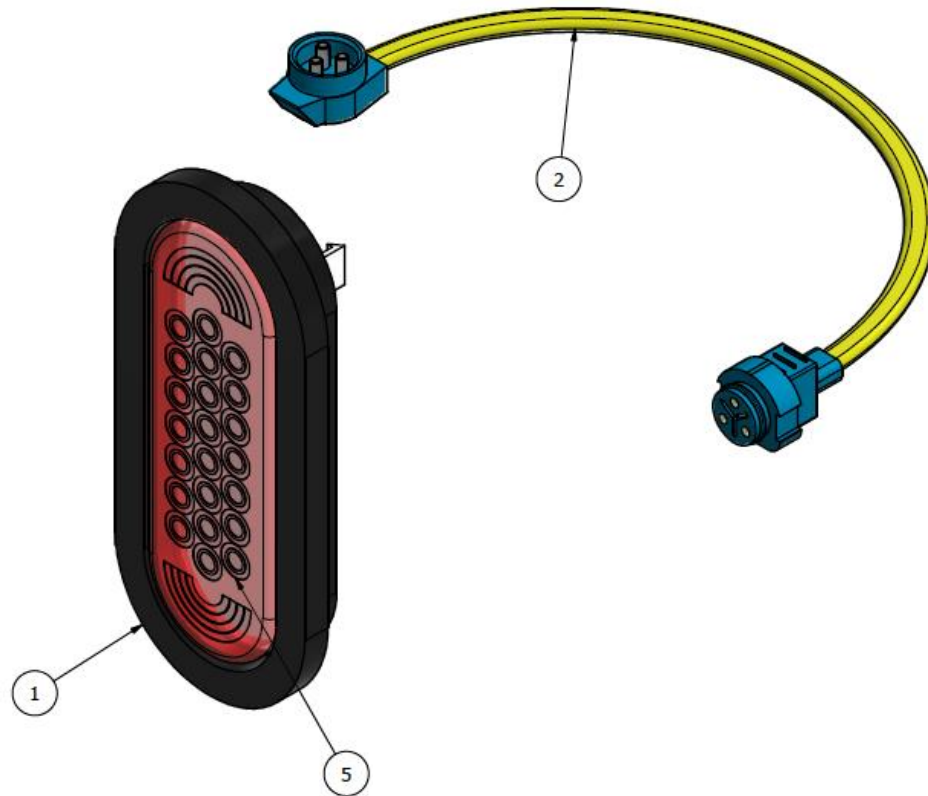
PARTS LIST				
ITEM	QTY	PART NUMBER	DESCRIPTION	
1	8	600002	MACHINE SCREW 10-24 x 3/4" STAINLESS	
2	4	6000254	BOLT 1/4"-20 x 1" GRADE 8	
3	4	6000286	BOLT 1/4"-20 x 1 1/2" STAINLESS	
4	16	6100256	NUT 1/4-20 KEP STAINLESS	
5	16	6100401	NUT, 10-24 NYLON STAINLESS	
6	8	6200242	WASHER, FENDER 1/4" STAINLESS	
7	2	6200256	WASHER, 3/16" FLAT STAINLESS	
8	1	8000199	FUSE, 5 AMP	
9	1	8000968	ELECTRICAL, BUTT CONNECTOR 14GA	
10	3.25FT	8000984	WIRE, 10AWG BLACK PRIMARY	
11	1FT	8000985	WIRE, 10AWG RED PRIMARY	
12	.75FT	8000987	WIRE, 10AWG BLUE PRIMART	
13	2	8000989	ELECTRICAL, CONNECTOR-MALE BULLET	
14	2FT	8000996	SPLIT LOOM 1/4"	
15	1	8001021	ELECTRICAL, CONNECTOR RING 8AWG	
16	9	8001024	ELECTRICAL, CONNECTOR RING 10/12 AWG	
17	1	8003000	BRACKET, CHARGER	
18	1	8003101	CHARGER, DC/DC	
19	1	8003102	RELAY ASSEMBLY	
20	1	8003103	FUSE HOLDER	
21	2	8003105	JUNCTION BLOCK RED, 5/15" STUD	
22	1	8003106	JUNCTION BLOCK BLACK, 5/15" STUD	
23	1	8003107	4 PIN CONNECTOR KIT FOR LIFTGATE CHARGER	

CHARGER:

EATON 11020C11

# VERTICAL TAILLIGHT ASSEMBLY

## 800N130



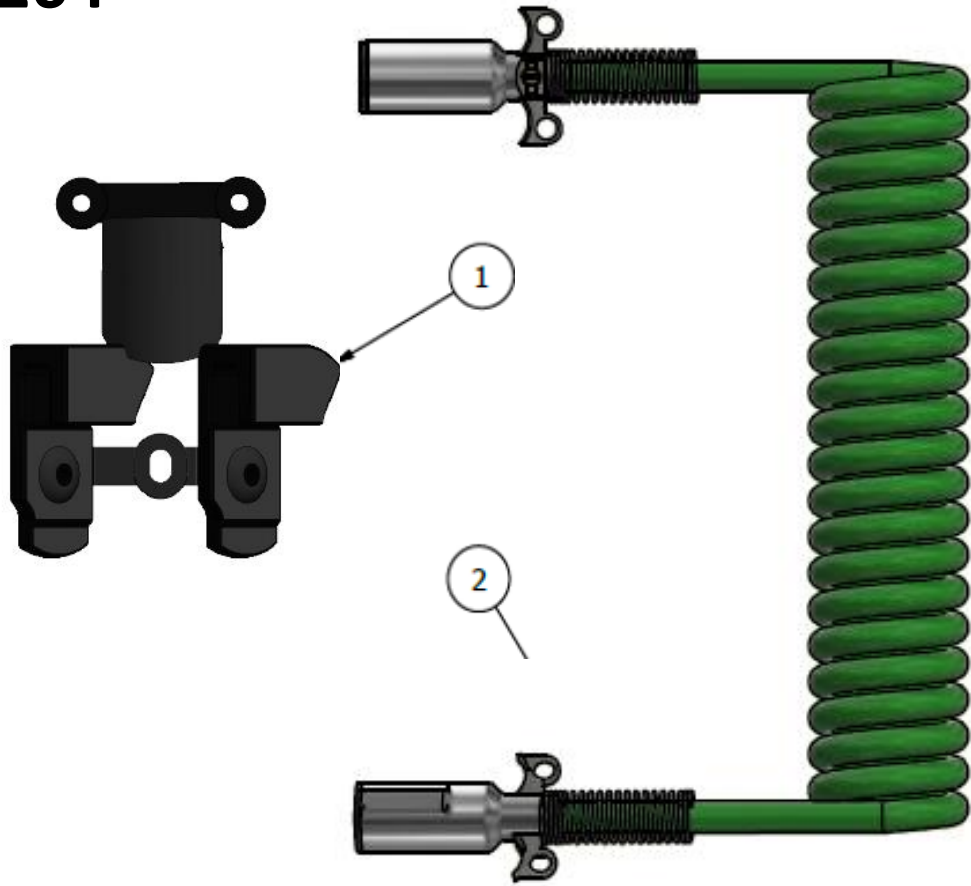
PARTS LIST			
ITEM	QTY	PART NUMBER	DESCRIPTION
1	1	8000054	GROMMET, OVAL MID-TURN
2	1	8000826	JUMPER HARNESS
3	1	8000827	JUMPER HARNESS
4	1	8000828	JUMPER HARNESS
5	1	8000904	LAMP, STOP/TAIL/TURN LED

TAIL LAMP:

GROTE 53962 US 60 OVAL

# POWER CABLE AND HOLDER ASSEMBLY

## 800N264

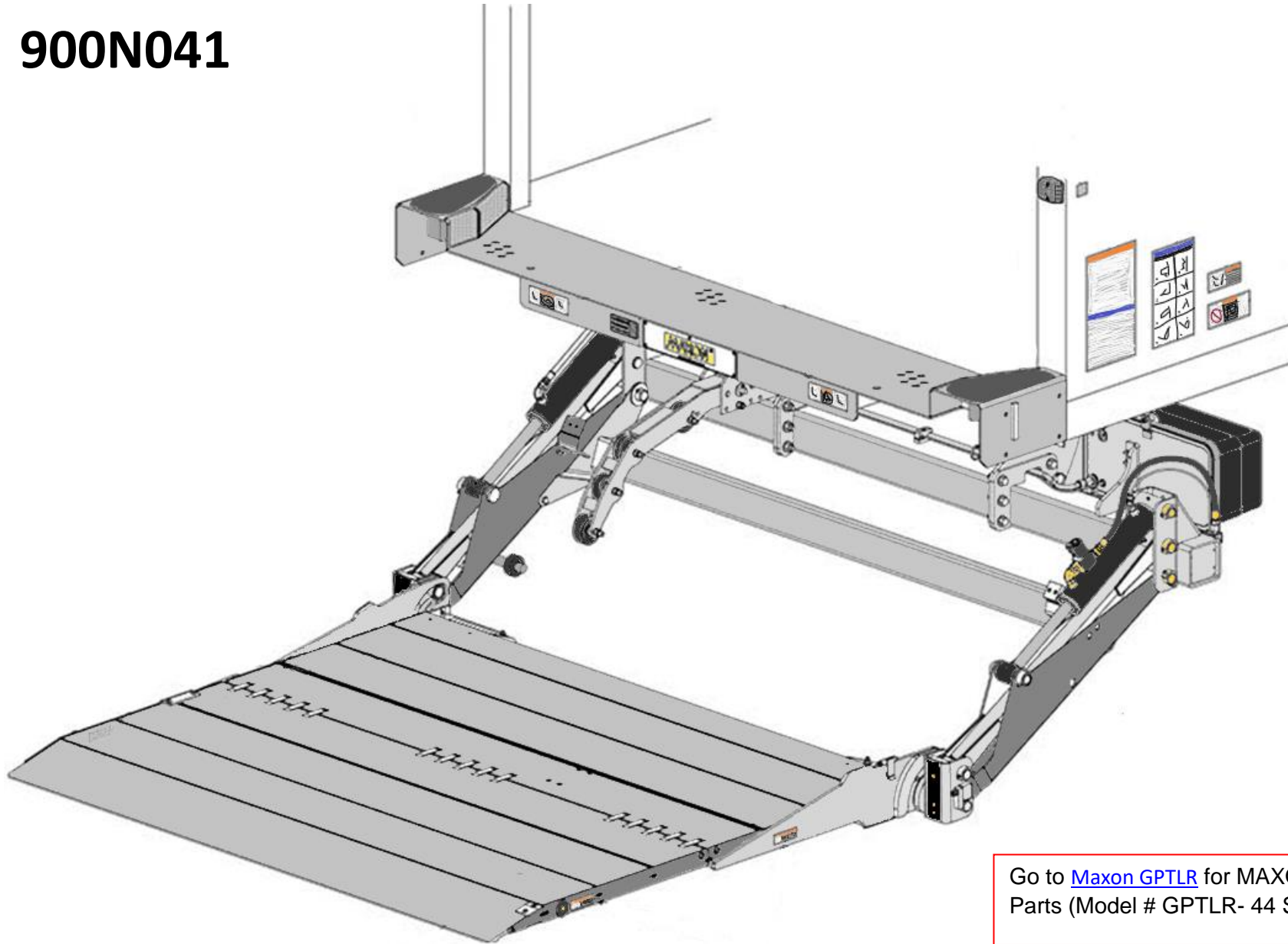


PARTS LIST			
ITEM	QTY	PART NUMBER	DESCRIPTION
1	1	8000237	CHARGING HOLDER BRACKET
2	1	8000238	CHARGING CABLE COILED 15' – LIFTGATE
3	1	6300139	RIVET, POP – AD6-16ABSLF LG
4	1	800N296	CLAMP ASSEMBLY LIFT GATE POWER CORD
	2	6000300	BOLT, 5/16" 18x1" TRILOBULAT SELF TAPP
	1	6200105	WASHER, POP RIVET BACKING 3/16"



# MAXON TUK-A-WAY ASSEMBLY, LTL28'

900N041



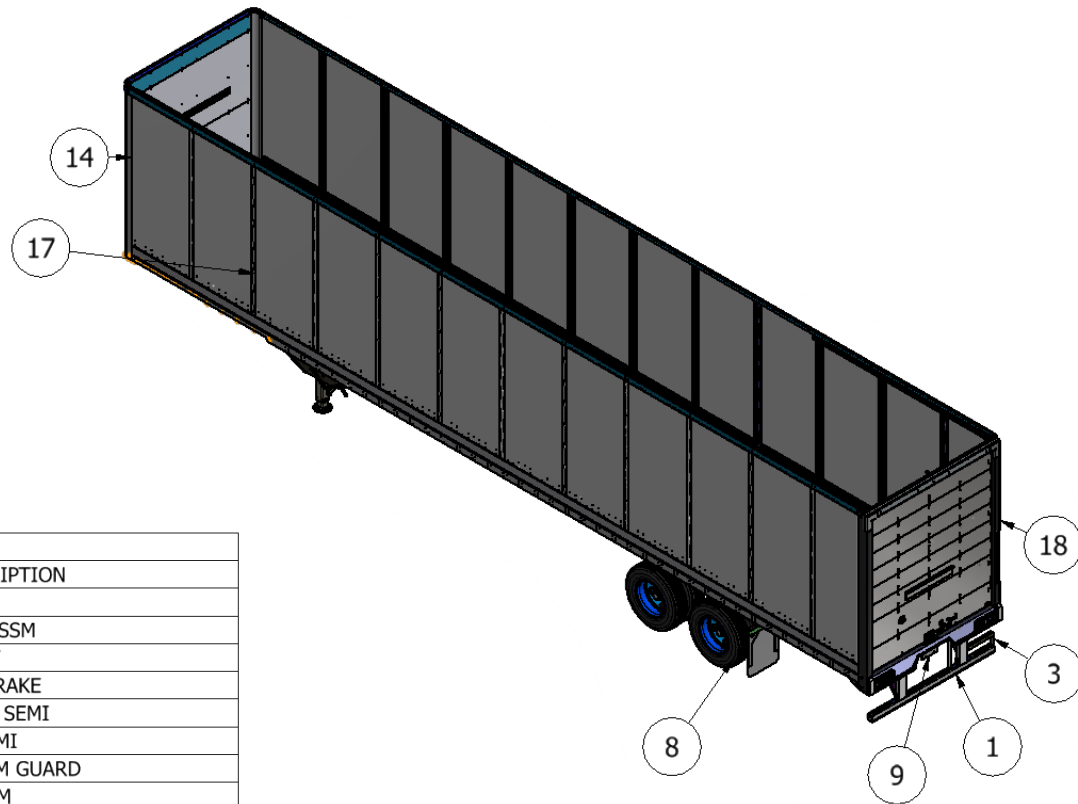
Go to [Maxon GPTLR](#) for MAXON Tuk-A-Way Parts (Model # GPTLR- 44 Series)



**48' TRAILER ASSEMBLIES  
FOR  
LTL TRAILERS**



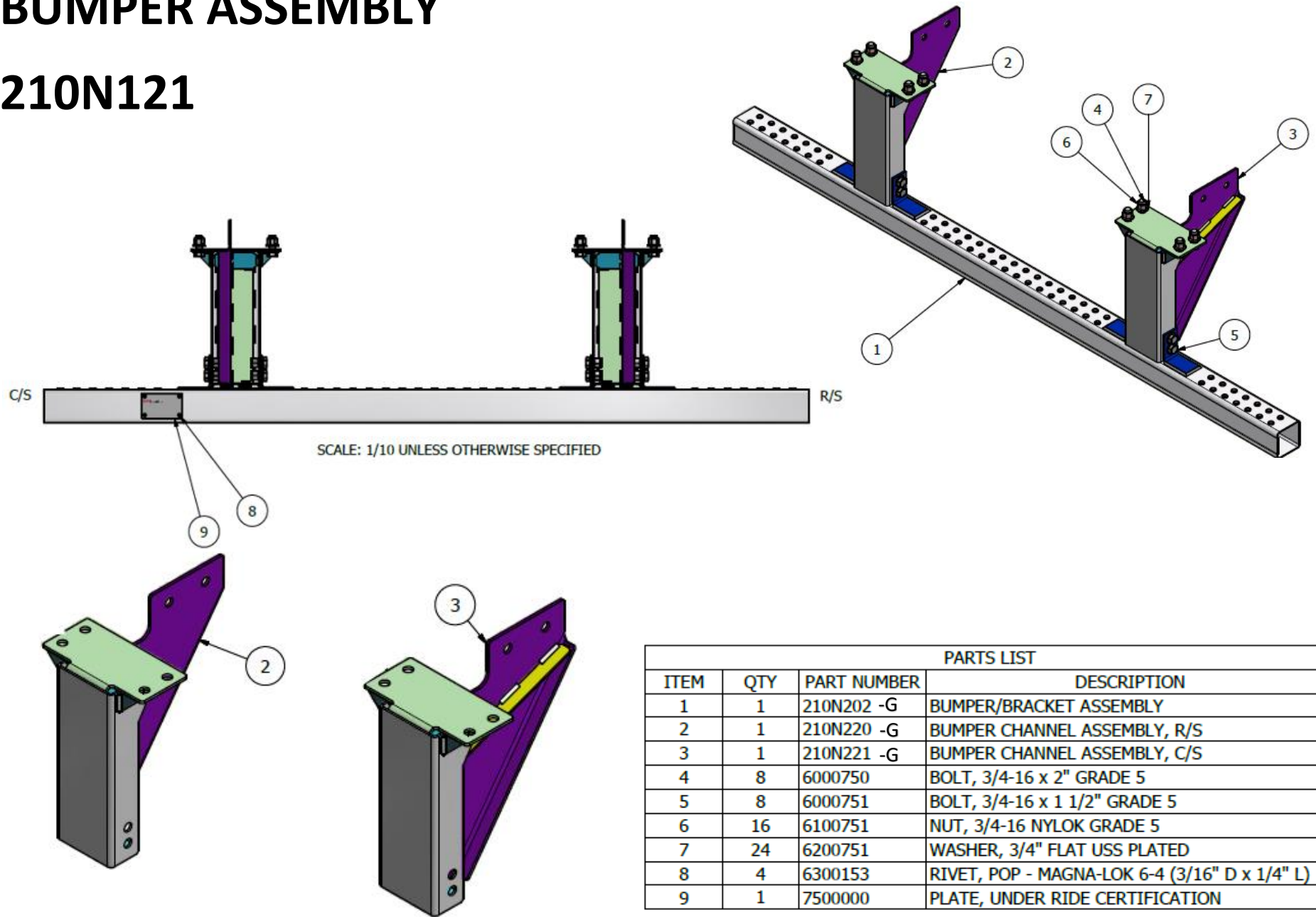
# LTL48N00A-35



PARTS LIST			
ITEM	QTY	PART NUMBER	DESCRIPTION
1	1	210N121	BUMPER ASSEMBLY
2	1	210N123	BUMPER ATTACHMENT ASSM
3	1	210N125	BUMPER STEP ASSEMBLY
4	2	220M250	AXLE ASSEMBLY, DISC BRAKE
5	1	230M068	SUSPENSION ASSEMBLY, SEMI
6	1	240M038	MUDFLAP ASSEMBLY, SEMI
7	2	240M282	WHEEL NUT ASSM, 33 MM GUARD
8	8	240N271	NEW WHEEL & TIRE ASSM
9	1	240N290	LICENSE PLATE BRACKET ASSEMBLY
10	1	310M050	UPPER COUPLER ASSEMBLY
11	1	330M052	BOGIE SUB-FRAME
12	1	340M194	FLOOR ASSEMBLY, 48'
13	1	350M041	LANDING LEG ASSEMBLY
14	1	410M127	FORWARD WALL ASSEMBLY - SEMI
15	1	420N917	HORIZONTAL TRACK, 48'
16	1	421N074	C/S SIDEWALL ASSEMBLY
17	1	422N074	R/S SIDEWALL ASSEMBLY
18	1	500M108	ROLL-UP DOOR ASSEMBLY

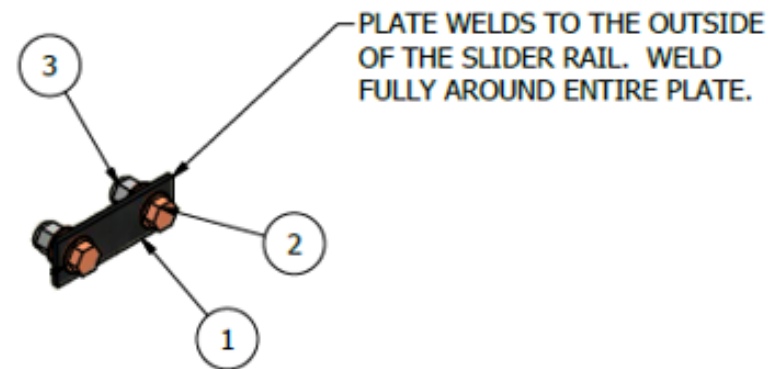
# BUMPER ASSEMBLY

## 210N121



# BUMPER ATTACHMENT, SEMI

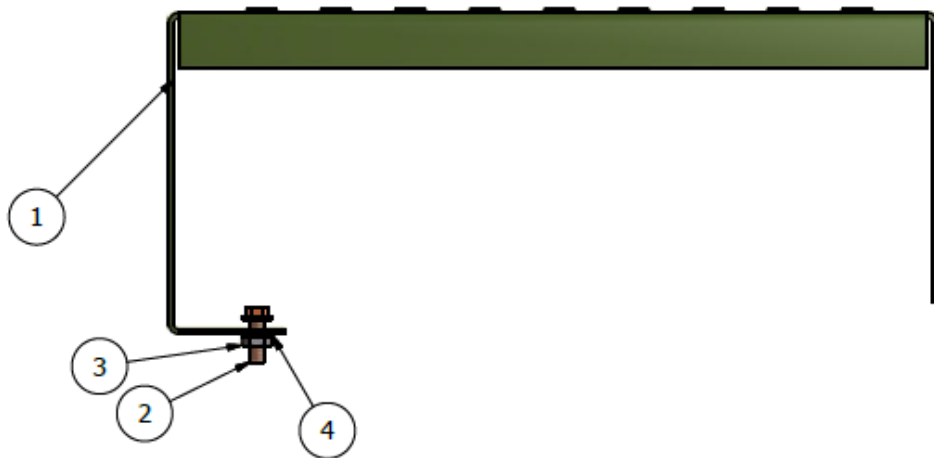
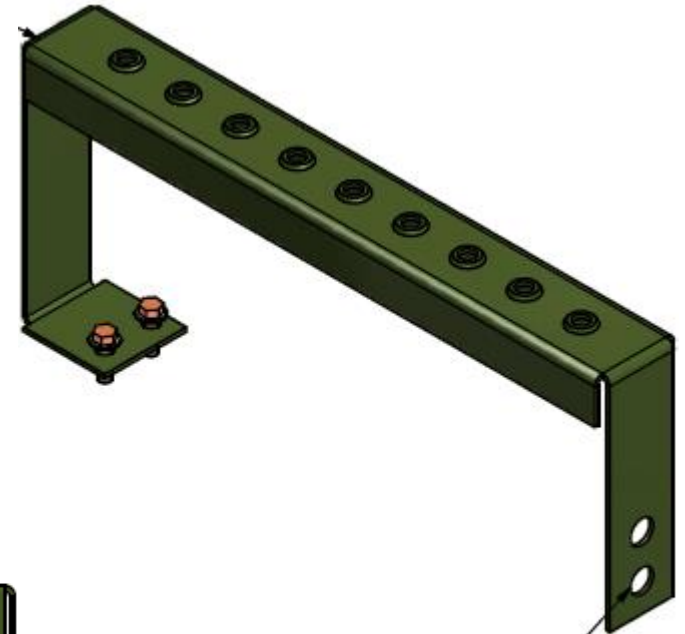
## 210N123



PARTS LIST			
ITEM	QTY	PART NUMBER	DESCRIPTION
1	2	2100524	BUMPER TO SLIDER PLATE
2	4	6000757	BOLT, 3/4"-16 x 2" GRADE 8 PLATED
3	4	6100263	NYLOK NUT, 3/4-16 GRADE 8
4	8	6200751	WASHER, 3/4" ALLOY

# BUMPER STEP ASSEMBLY

## 210N125

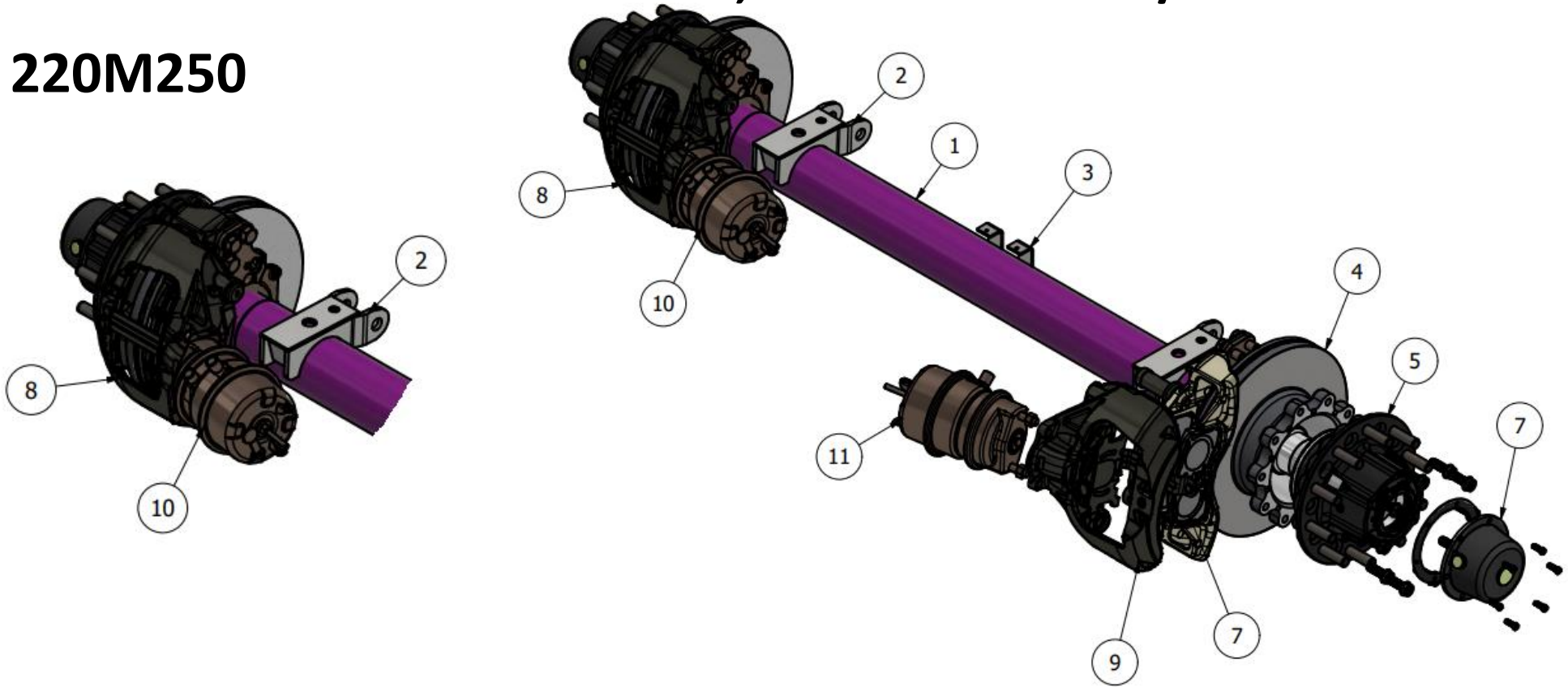


USE EXISTING BUMPER HARDWARE TO ATTACH THIS END OF THE STEP

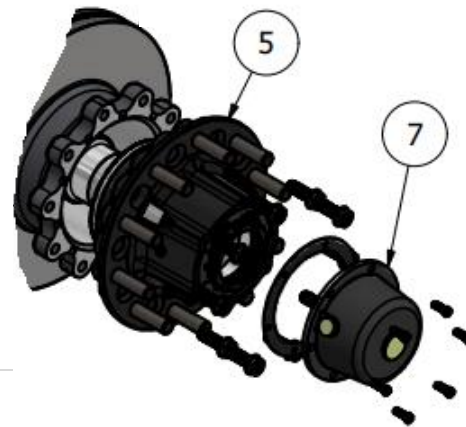
PARTS LIST			
ITEM	QTY	PART NUMBER	DESCRIPTION
1	1	2100378	BUMPER STEP
2	2	6000375	BOLT, 3/8-16 x 1 1/4" GRADE 8
3	2	6100381	NUT, 3/8-16 LOCK CROWN GRADE 8
4	4	6200378	WASHER, 3/8" FLAT SAE PLATED

# AXLE AND WHEEL ASSEMBLY, DISC BRAKES W/ OIL

## 220M250



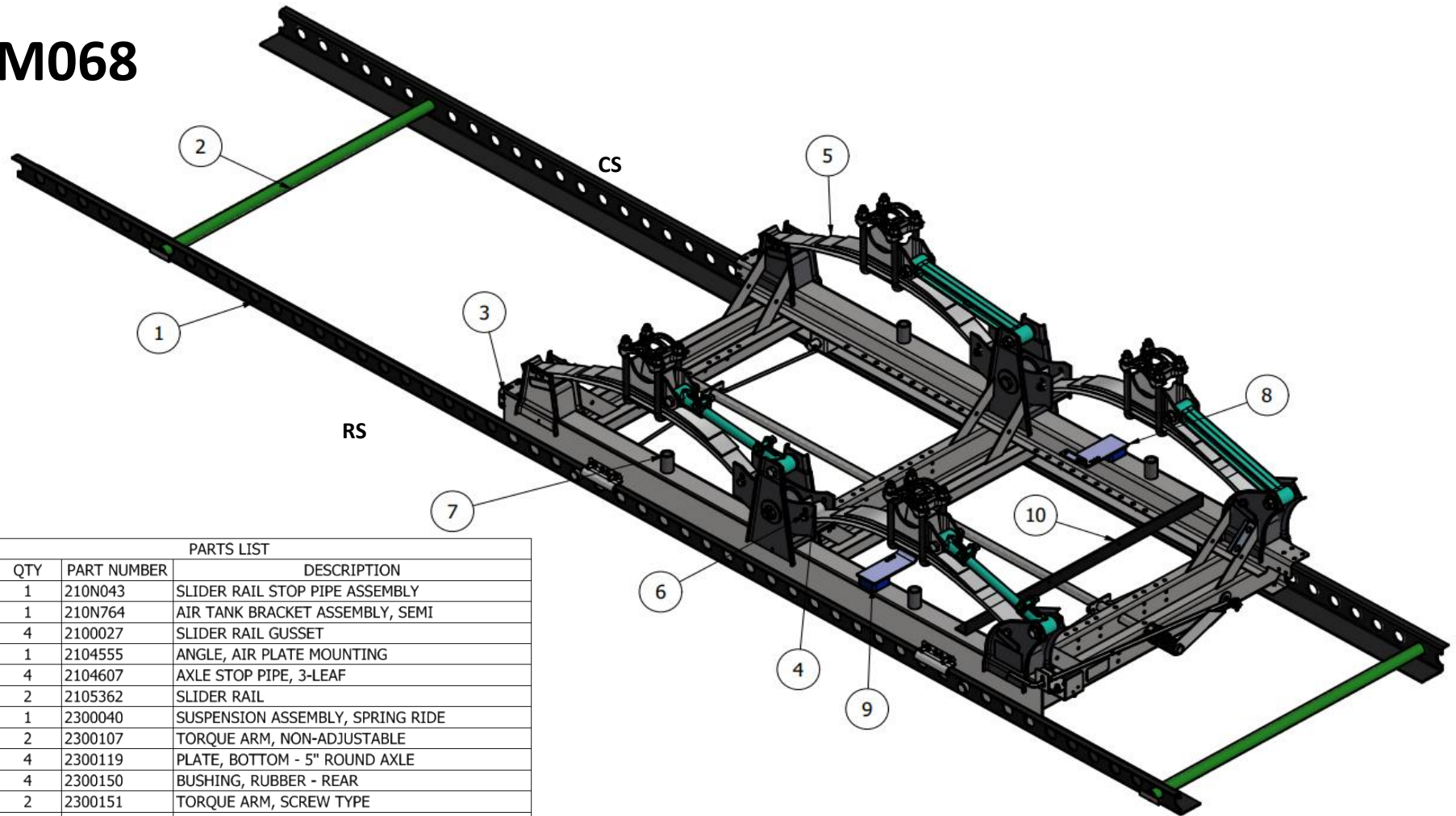
PARTS LIST			
ITEM	QTY	PART NUMBER	DESCRIPTION
1	1	2200350	AXLE BEAM, BARE
2	2	2200120	AXLE SEAT, 1 3/4"
3	2	7004521	BRACKET, AIR LINE
4+5	2	2201996	HUB/ROTOR (PRESET PLUS)
6	2	2200410	SKF HUB CAP
7	1	2202030	PAD KIT WITH HARDWARE
8	1	2202020	CALIPER, RS - LOADED
9	1	2202021	CALIPER, CS - LOADED
10	1	2202000	SPRING BRAKE CHAMBER, RS
11	1	2202001	SPRING BRAKE CHAMBER, CS





# SUSPENSION ASSEMBLY-SPRING RIDE, SEMI

## 230M068



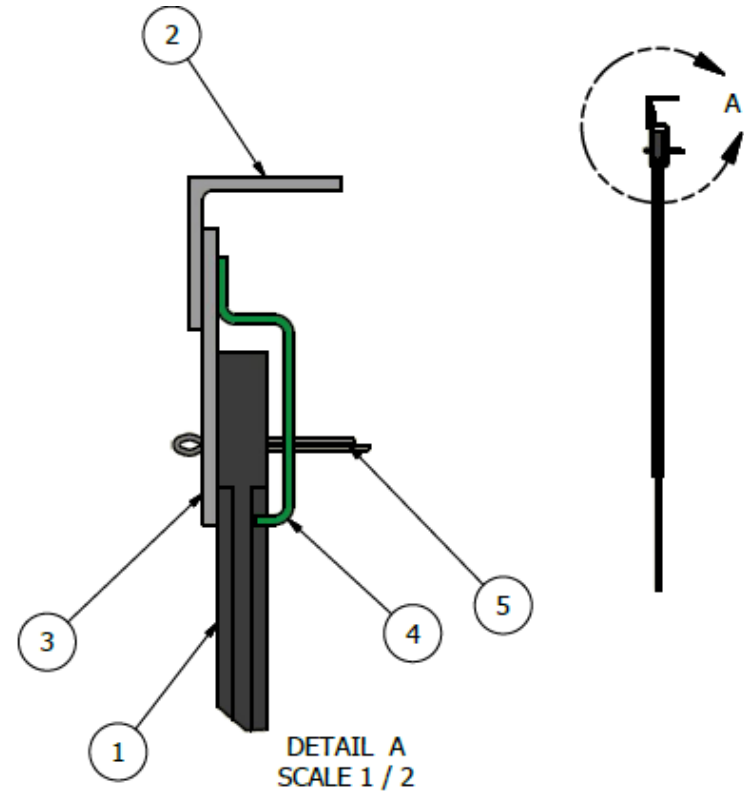
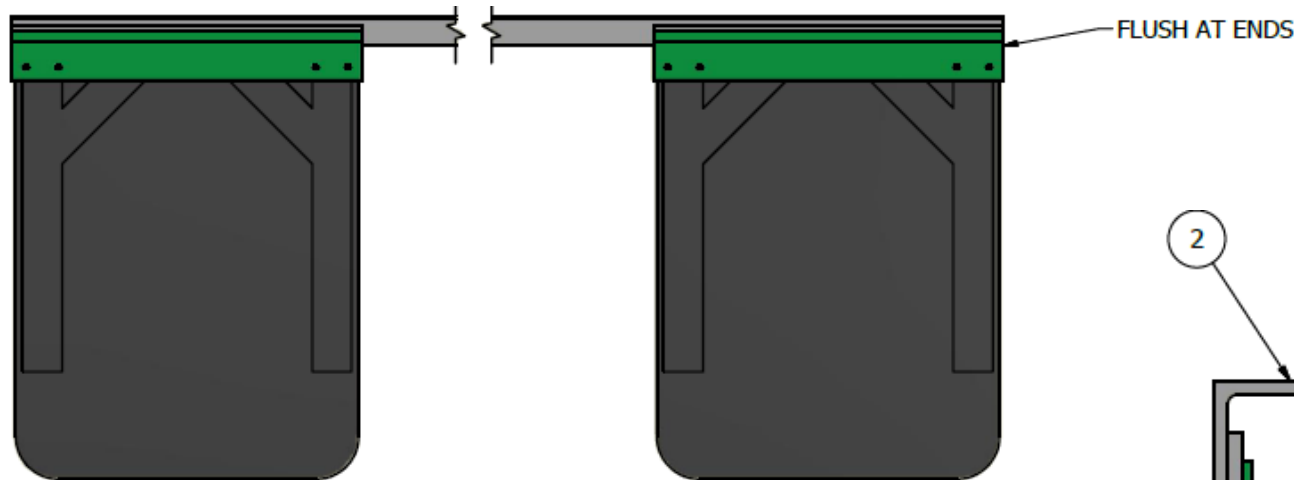
PARTS LIST				
ITEM	QTY	PART NUMBER	DESCRIPTION	
1	1	210N043	SLIDER RAIL STOP PIPE ASSEMBLY	
2	1	210N764	AIR TANK BRACKET ASSEMBLY, SEMI	
3	4	2100027	SLIDER RAIL GUSSET	
4	1	2104555	ANGLE, AIR PLATE MOUNTING	
5	4	2104607	AXLE STOP PIPE, 3-LEAF	
6	2	2105362	SLIDER RAIL	
7	1	2300040	SUSPENSION ASSEMBLY, SPRING RIDE	
8	2	2300107	TORQUE ARM, NON-ADJUSTABLE	
9	4	2300119	PLATE, BOTTOM - 5" ROUND AXLE	
10	4	2300150	BUSHING, RUBBER - REAR	
11	2	2300151	TORQUE ARM, SCREW TYPE	
12	4	2300159	SPRING, 3 LEAF, HIGH ARCH	
13	4	2300165	PLATE, TOP 1/2 ROUND	
14	8	2300904	U-BOLT, 5" ROUND, 12 1/4"	
15	4	6000631	BOLT, 5/8-18 x 4-1/2"	
16	8	6000951	BOLT, 1-14 x 5" GRADE 5	
17	4	6100631	NUT, 5/8-18	
18	4	6100876	NUT, 7/8-14 HIGH 2B	
19	8	6100951	NUT, 1-14 FLANGE LOCK	
20	4	6200631	SPRINGER, SPRING HANGER BOLT	
21	16	6200938	WASHER, 7/8" FLAT HARDENED	

**\*INVERTED TO SHOW SUSPENSION PARTS IN DETAIL**

Go to [Hutchens Industries](https://www.hutchensindustries.com) for Hutchens Parts  
(Model # Series 10 with EZ Pull)

# MUDFLAP ASSEMBLY, SEMI

## 240M038

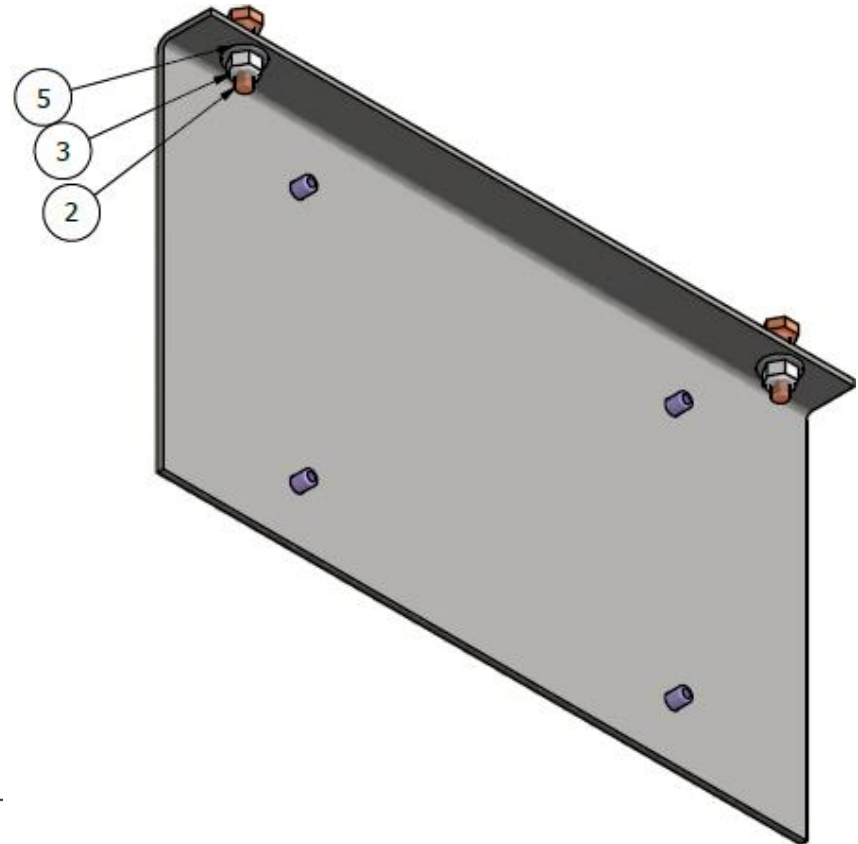
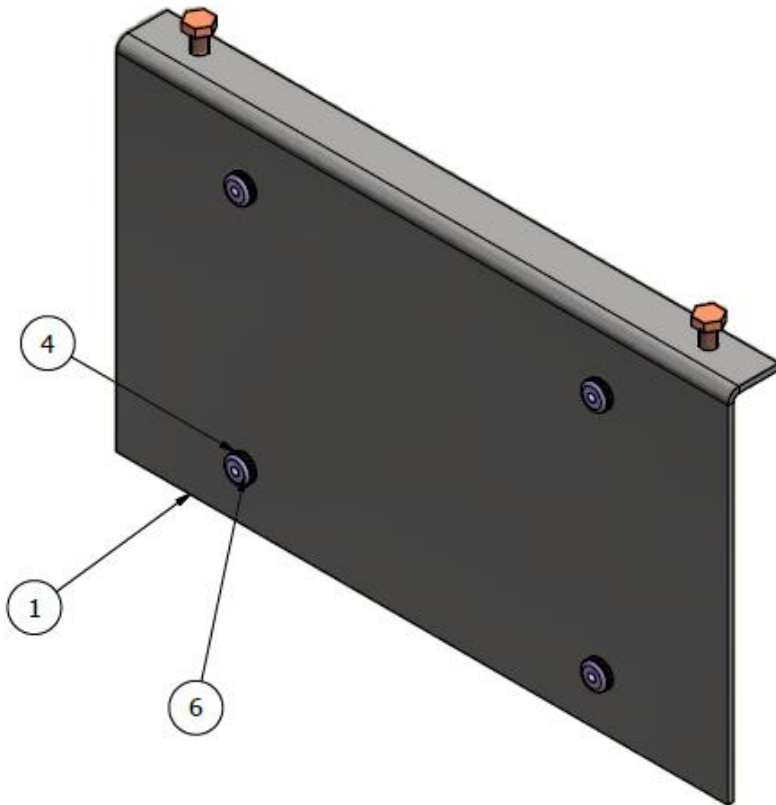


PARTS LIST			
ITEM	QTY	PART NUMBER	DESCRIPTION
1	2	2400242	MUDFLAP, QUICK-CHANGE
2	1	2400250	ANGLE, MUDFLAP MOUNT, SEMI
3	2	2400251	PLATE, MUDFLAP MOUNTING
4	2	2400272	MUDFLAP BRACKET, QUICK-CHANGE
5	4	6400403	COTTER PIN, 5/32" x 2"



# LICENSE PLATE BRACKET ASSEMBLY, SEMI

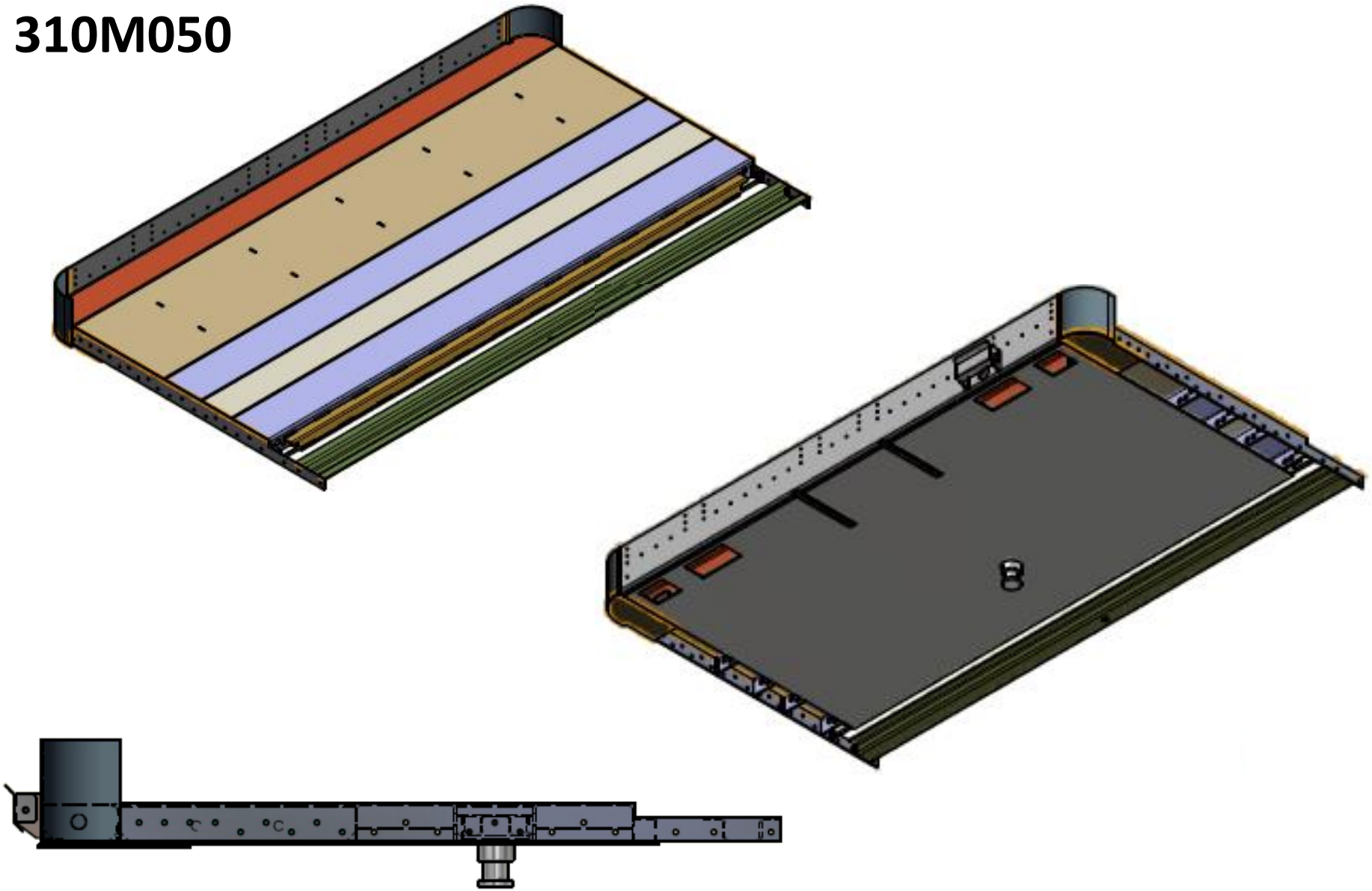
## 240N290



PARTS LIST			
ITEM	QTY	PART NUMBER	DESCRIPTION
1	1	2400290	BRACKET, LICENSE PLATE
2	2	6000254	BOLT, 1/4-20 x 1" GRADE 8 PLATED
3	2	6100253	NUT, 1/4-20 NYLOK GRADE 5 PLATED
4	8	6200101	WASHER, NYLON - 1/4" x 1/2" x 1/16"
5	2	6200252	WASHER, 1/4" SAE FLAT PLATED
6	4	6300128	RIVET, POP - SSDSS-8-4 (1/4" D x 1/4" L)

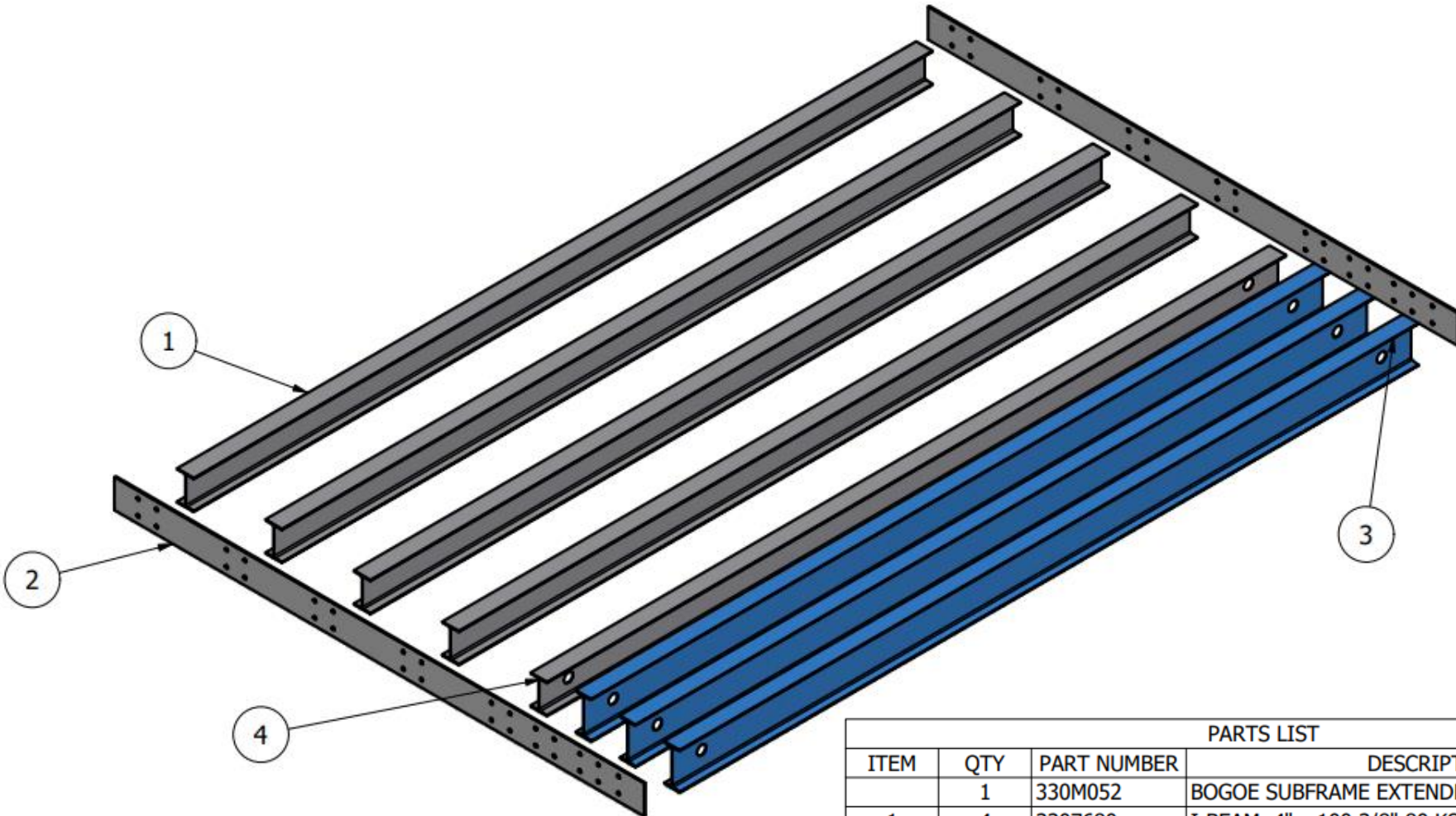
# UPPER COUPLER ASSEMBLY, SEMI

310M050



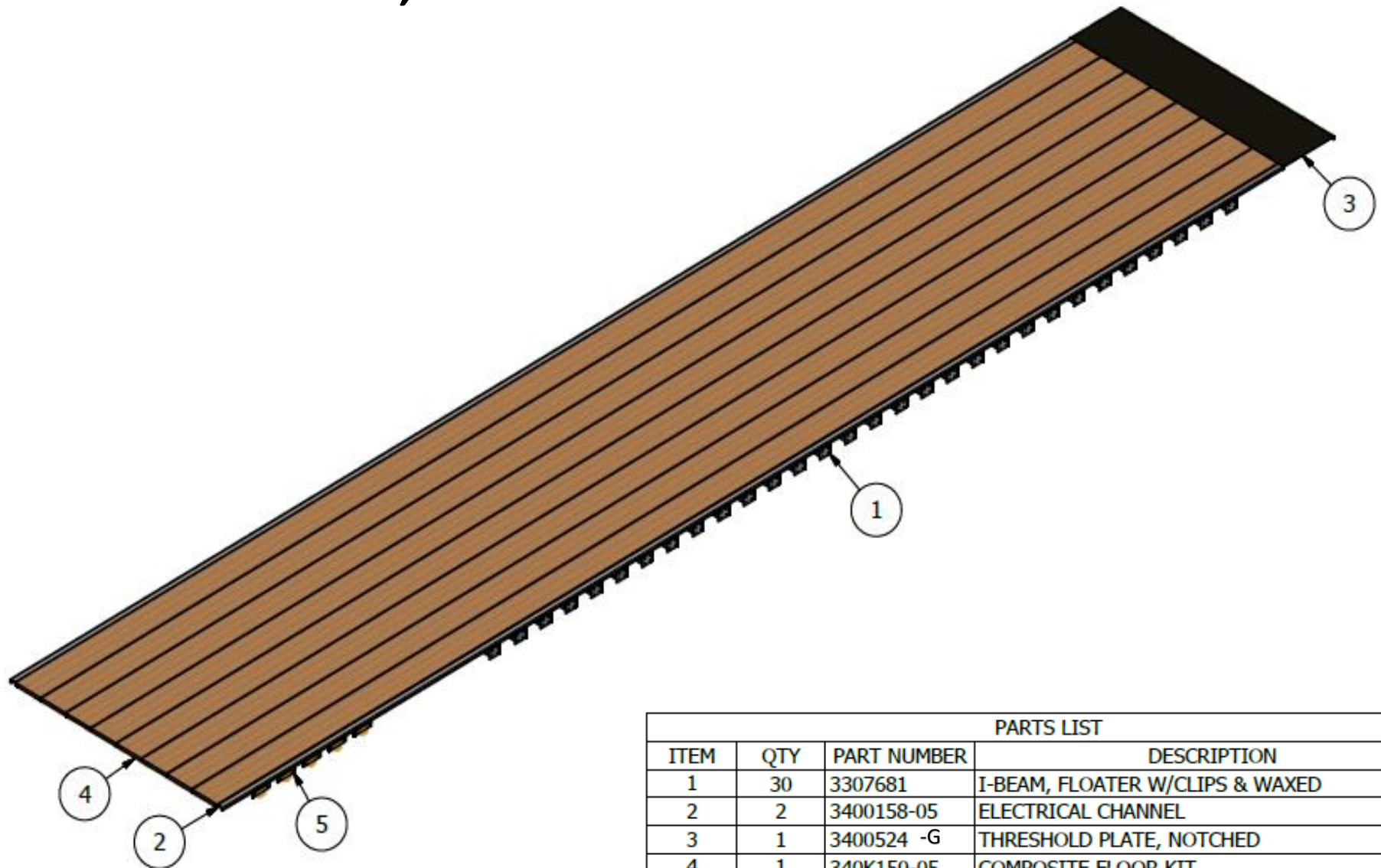
# BOGIE SUBFRAME EXTENDED SIDEPLATE ASSEMBLY

## 330M052



PARTS LIST			
ITEM	QTY	PART NUMBER	DESCRIPTION
	1	330M052	BOGIE SUBFRAME EXTENDED SIDEPLATE ASSY
1	4	3307680	I-BEAM, 4" x 100 3/8" 80 KSI
2	2	3300035	BOGIE SUB-FRAME SIDE PLATE
3	3	3307684	I-BEAM, 5" x 100 3/8", 80 KSI
4	1	3307683	I-BEAM, 4" x 100 3/8" 80 KSI

# FLOOR ASSEMBLY, 48'

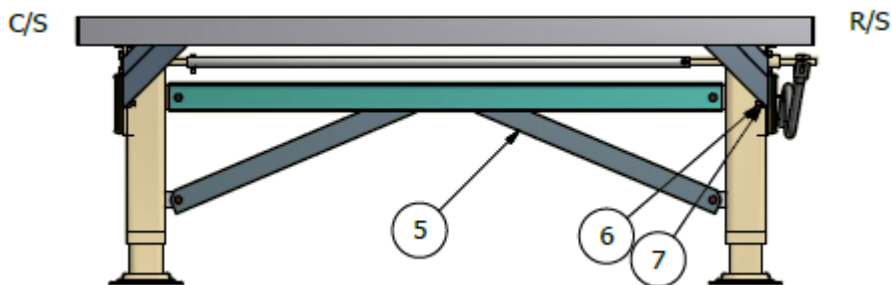
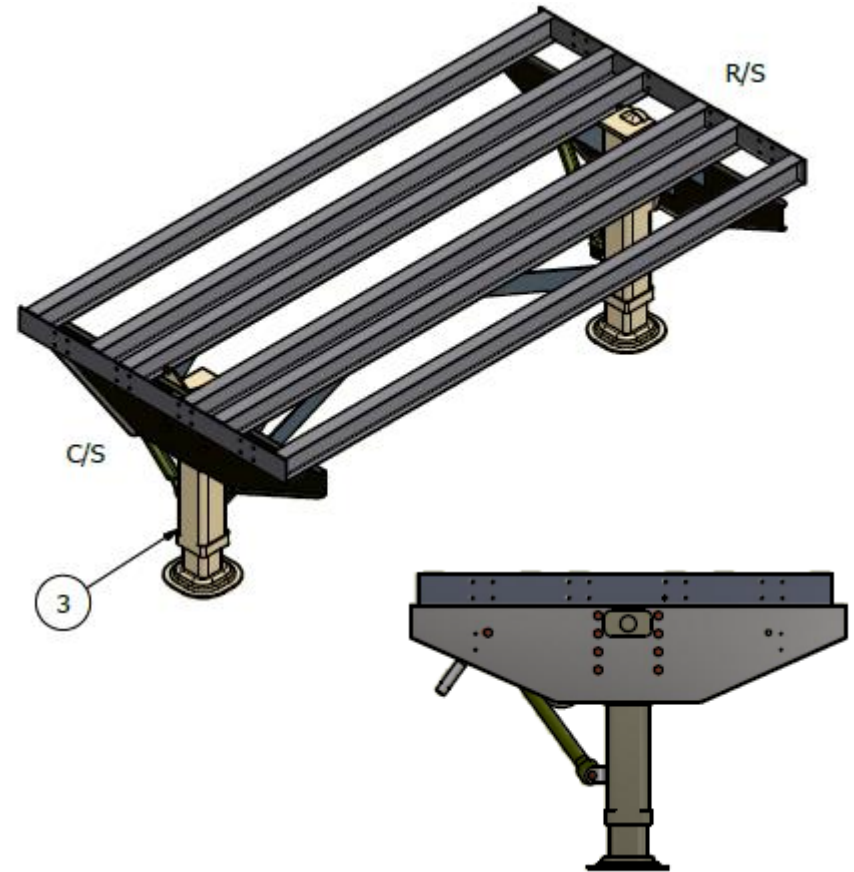
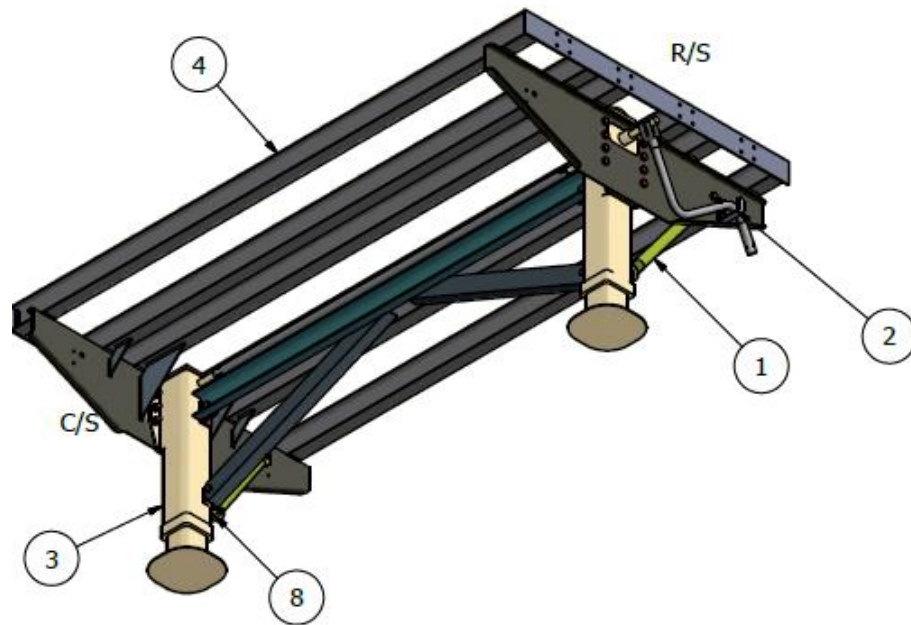


PARTS LIST			
ITEM	QTY	PART NUMBER	DESCRIPTION
1	30	3307681	I-BEAM, FLOATER W/CLIPS & WAXED
2	2	3400158-05	ELECTRICAL CHANNEL
3	1	3400524 -G	THRESHOLD PLATE, NOTCHED
4	1	340K150-05	COMPOSITE FLOOR KIT
5	5	340N217	FLOOR HAT SECTION ASSEMBLY
6	720	6400213	FLOOR SCREW, 5/16-18 x 2" FLAT TORX HEAD
7	0.6 GL	7500615	WAX UNDERCOAT, BLACK



# LANDING LEG ASSEMBLY

## 350M041



PARTS LIST			
ITEM	QTY	PART NUMBER	DESCRIPTION
1	2	3507232	REAR L.L. STRUT
2	1	350N045	CRANK HANDLE HOLDER
3	1	350N046	LANDING LEG ASSEMBLY
4	1	350N047	LANDING LEG SKIRT ASSEMBLY
5	1	350N049 -G	K-BRACE ASSEMBLY
6	24	6000627	BOLT, 5/8-18 x 1 3/4
7	24	6100626	NUT, 5/8-18 PINCH LOCK GRADE 5 PLATED
8	4	6200626	WASHER, 5/8 FLAT USS PLATED

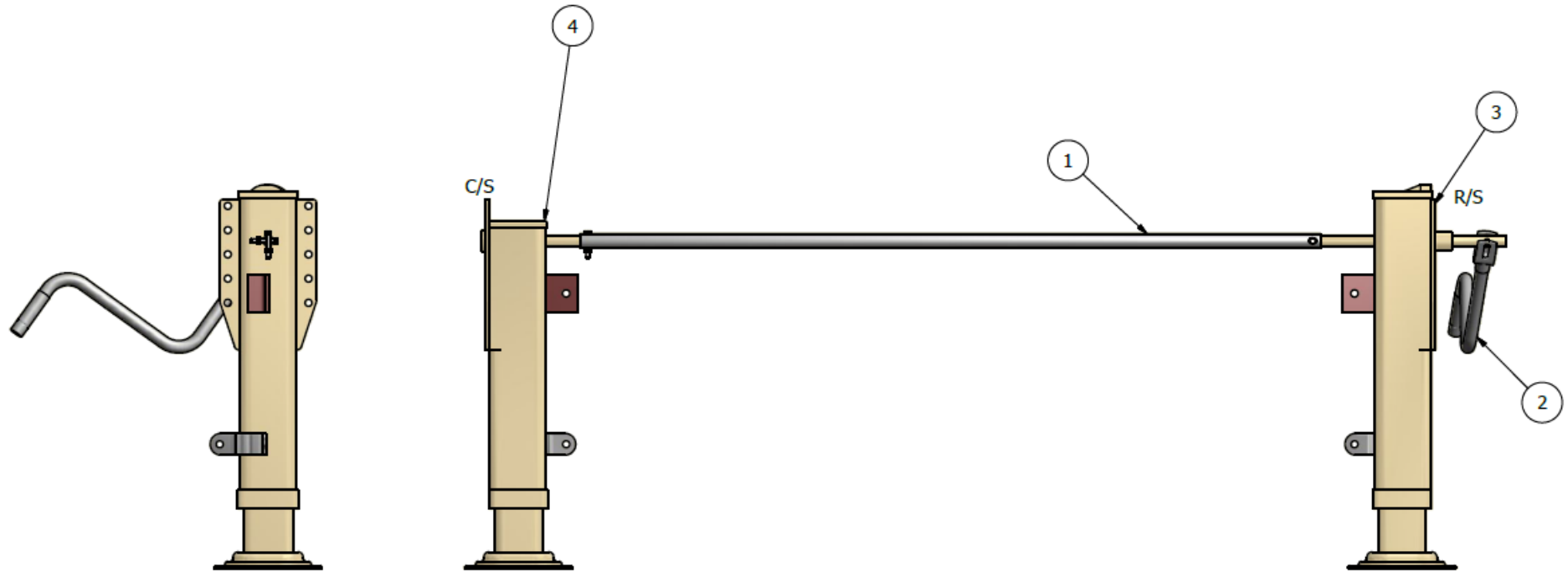
# CRANK HANDLE HOLDER ASSEMBLY

## 350N045

PARTS LIST			
ITEM	QTY	PART NUMBER	DESCRIPTION
1	1	3500559 -G	HOLDER, CRANK HANDLE
2	2	6000275	BOLT, 1/4 - 20 x 3/4" GRADE 8 PLATED
3	2	6100258	NUT, 1/4 - 20 LOCK
4	2	6200252	WASHER, 1/4" SAE FLAT PLATED

# LANDING LEG ASSEMBLY

## 350N046

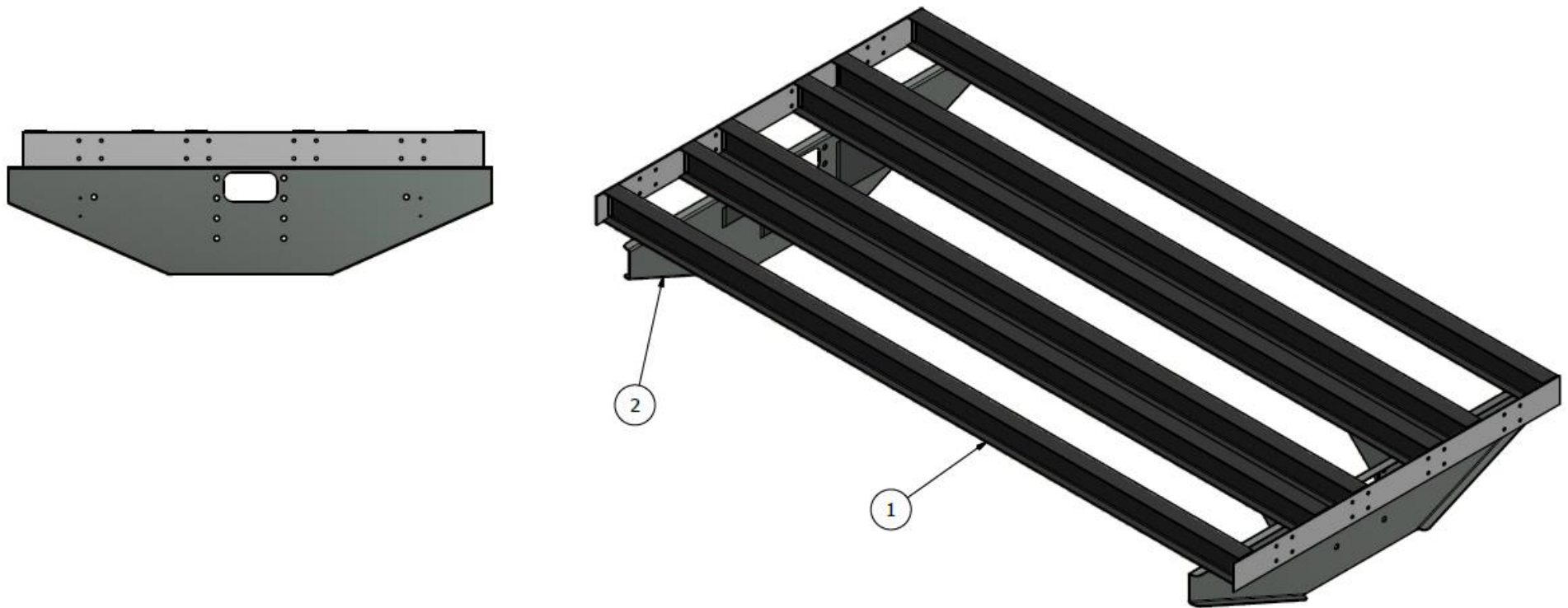


PARTS LIST			
ITEM	QTY	PART NUMBER	DESCRIPTION
1	1	3500140	CROSS SHAFT, LANDING LEG, 68.75"
2	1	3500148	LANDING LEG CRANK HANDLE
3	1	3500564	MASTER LANDING LEG, INBOARD
4	1	3500565	SLAVE LANDING LEG, INBOARD



# LANDING LEG SKIRT ASSEMBLY

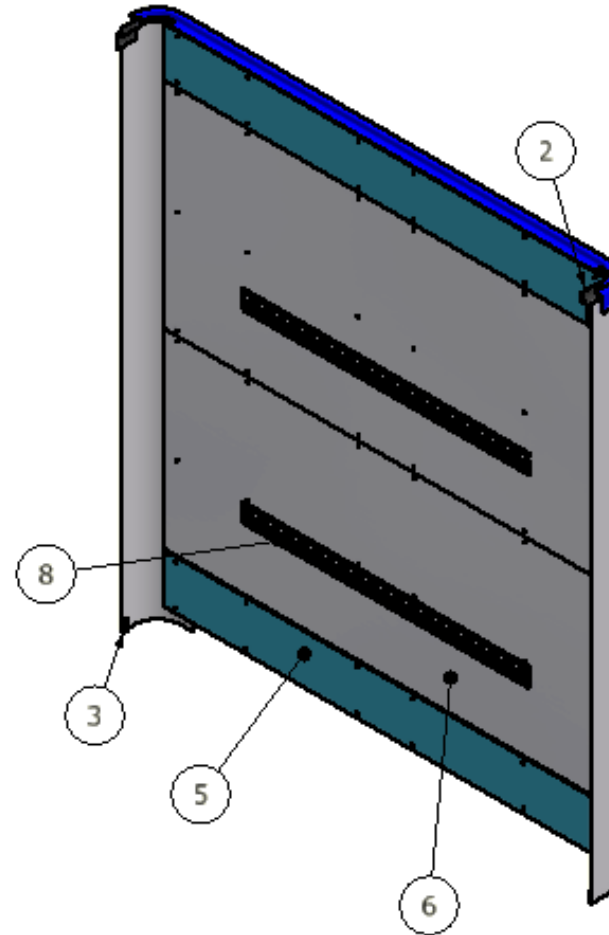
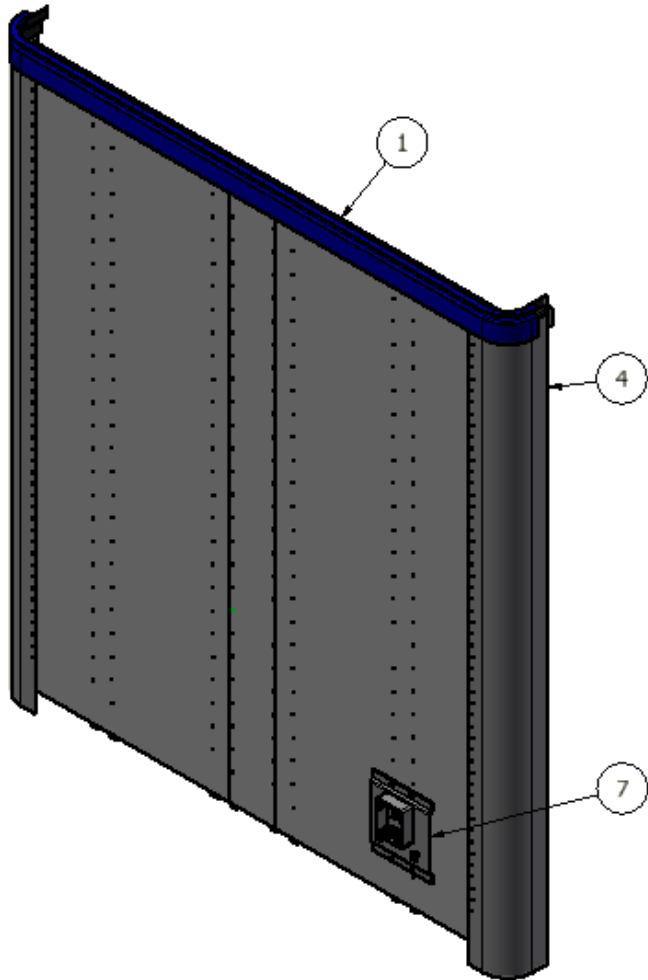
## 350N047



PARTS LIST			
ITEM	QTY	PART NUMBER	DESCRIPTION
1	1	320N041	L.L. CROSS MEMBER ASSEMBLY
2	2	350N048 -G	L.L. SKIRT SUB-ASSEMBLY

# FORWARD WALL ASSEMBLY, 48' & 53'

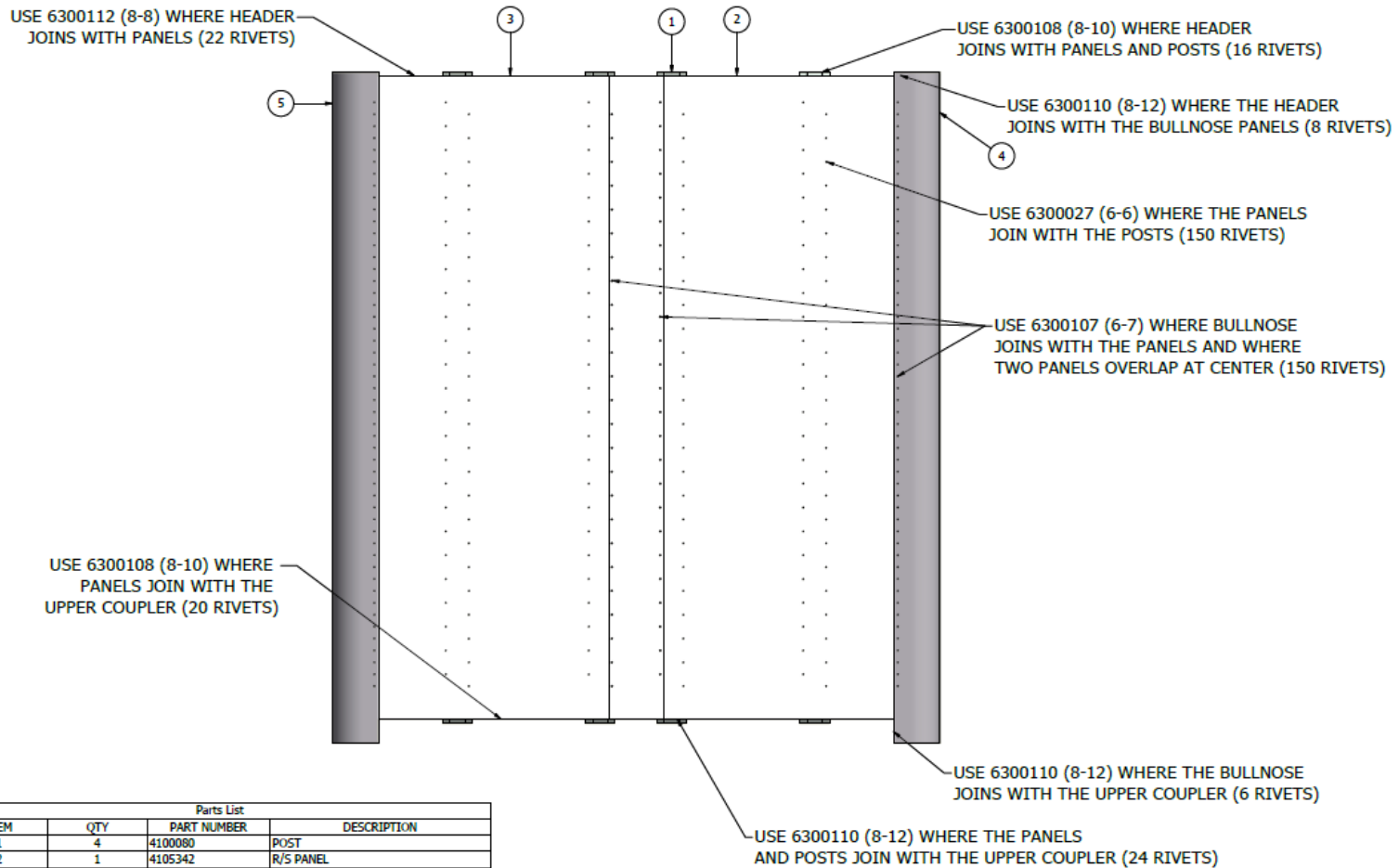
## 410M127



PARTS LIST			
ITEM	QTY	PART NUMBER	DESCRIPTION
1	1	4100129	FWD WALL HEADER
2	2	4100407	UPPER RAIL SUPPORT
3	2	4100430	BULLNOSE SHIM
4	1	410N117	PANEL ASSEMBLY
5	1	410N144	FORWARD WALL SCUFF LINER
6	1	410N147	FWD WALL LINER - SEMI
7	1	410N149	AIR KIT PLATE ASSEMBLY
8	1	410N151	HORIZONTAL TRACK ASSEMBLY

# PANEL ASSEMBLY

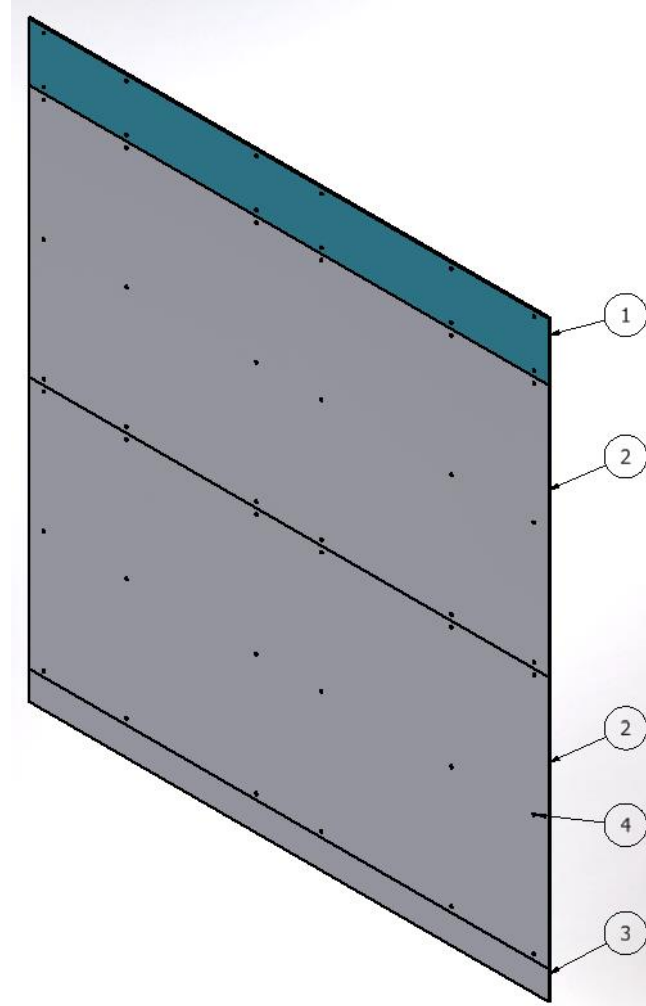
## 410N117



Parts List			
ITEM	QTY	PART NUMBER	DESCRIPTION
1	4	4100080	POST
2	1	4105342	R/S PANEL
3	1	4105343	C/S PANEL
4	1	4105344	R/S BULLNOSE EXTRUSION
5	1	4105345	C/S BULLNOSE EXTRUSION
6	2	6000363	BOLT, 3/8"-16 x 1 1/4"
7	2	6000364	BOLT, 3/8"-16 x 1 3/4"
8	4	6100377	NUT, 3/8"-16
9	0.290 lb	6300027	RIVET, SOLID - AN455AD 6-6
10	0.313 lb	6300107	RIVET, SOLID - AN455AD 6-7
11	0.185 lb	6300108	RIVET, SOLID - AN455AD 8-10
12	0.219 lb	6300110	RIVET, SOLID - AN455AD 8-12
13	0.099 lb	6300112	RIVET, SOLID - AN455AD 8-8

# FORWARD WALL LINER ASSEMBLY, 48' & 53'

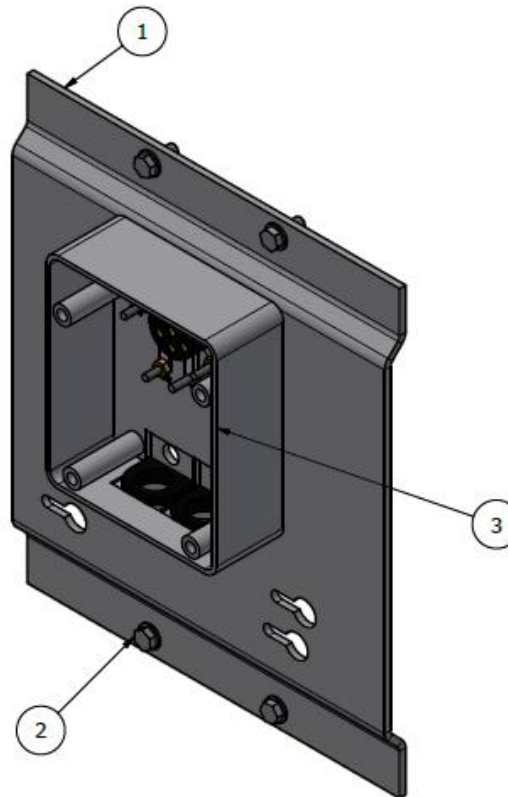
410N147



ITEM	QTY	PART NUMBER	DESCRIPTION
1	1	4100064	FORWARD WALL KICK PLATE
2	2	4100065	FORWARD WALL LINER
3	1	4100069	FORWARD WALL LINER, TOP, SEMI
4	48	6400207	SCREW, 1/4-20 x 1" TORX HEAD, COUNTERSUNK

# AIR KIT PLATE ASSEMBLY

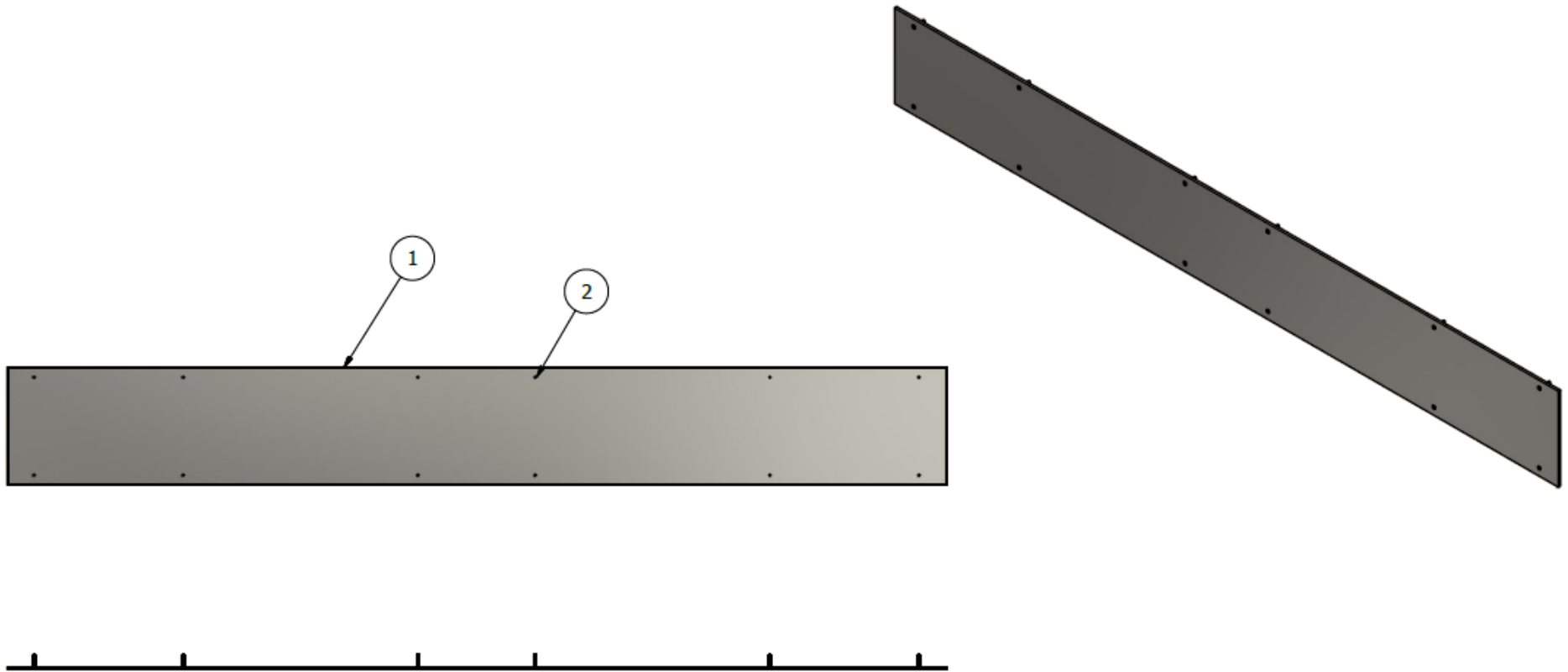
## 410N149



PARTS LIST			
ITEM	QTY	PART NUMBER	DESCRIPTION
1	1	4100700	AIR KIT PLATE
2	4	6000312	5/16"-18 x 3/4" ROLOC SELF TAPPING SCREW
3	1	8000943	7-WAY SMART BOX (PART OF 800N344)

# FORWARD WALL SCUFF LINER

## 410N144

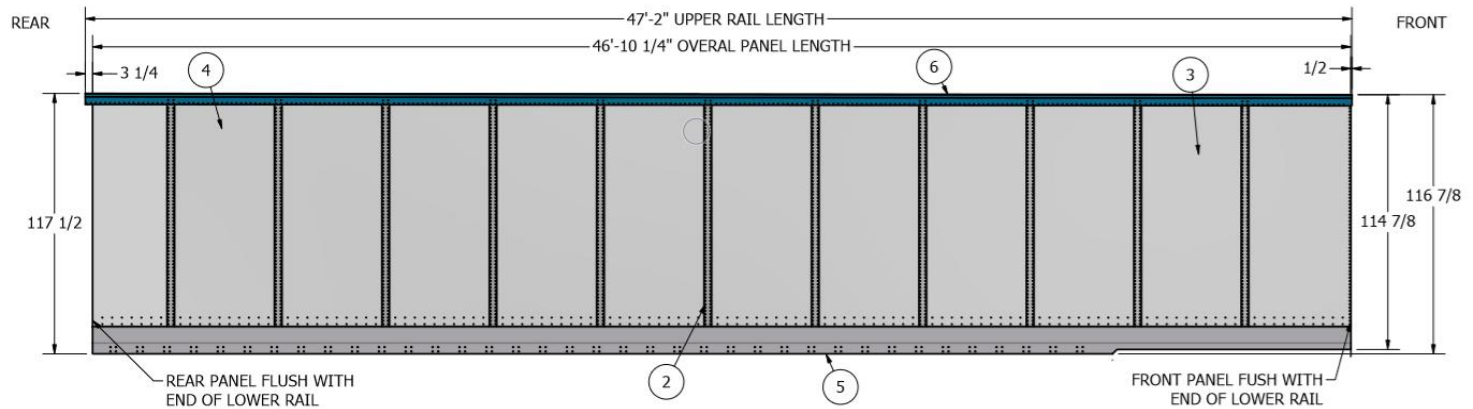


PARTS LIST			
ITEM	QTY	PART NUMBER	DESCRIPTION
1	1	4100064	FORWARD WALL KICK PLATE
2	12	6400214	SCREW, 1/4-20 x 1 1/2" FLOOR TORX HEAD

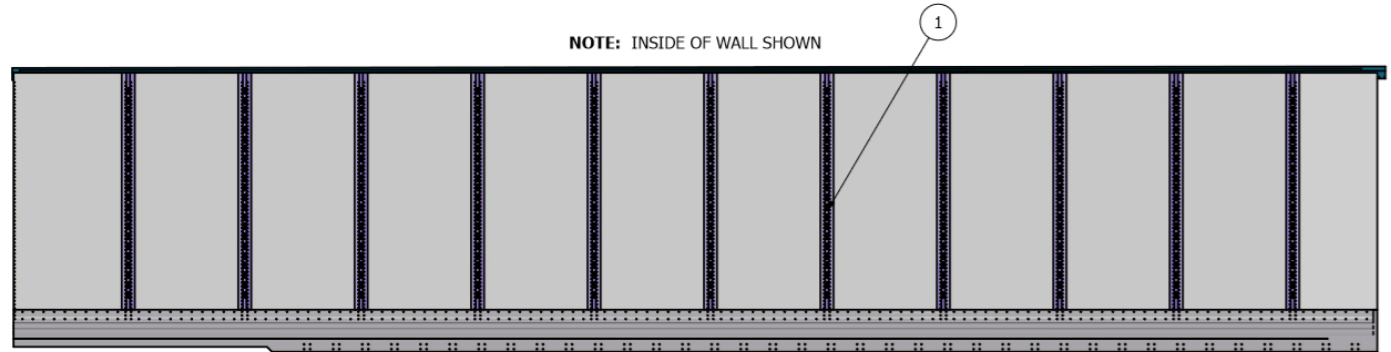


# C/S SIDEWALL ASSEMBLY, 48' NATURAL INNER SURFACE

## 421N074



NOTE: INSIDE OF WALL SHOWN

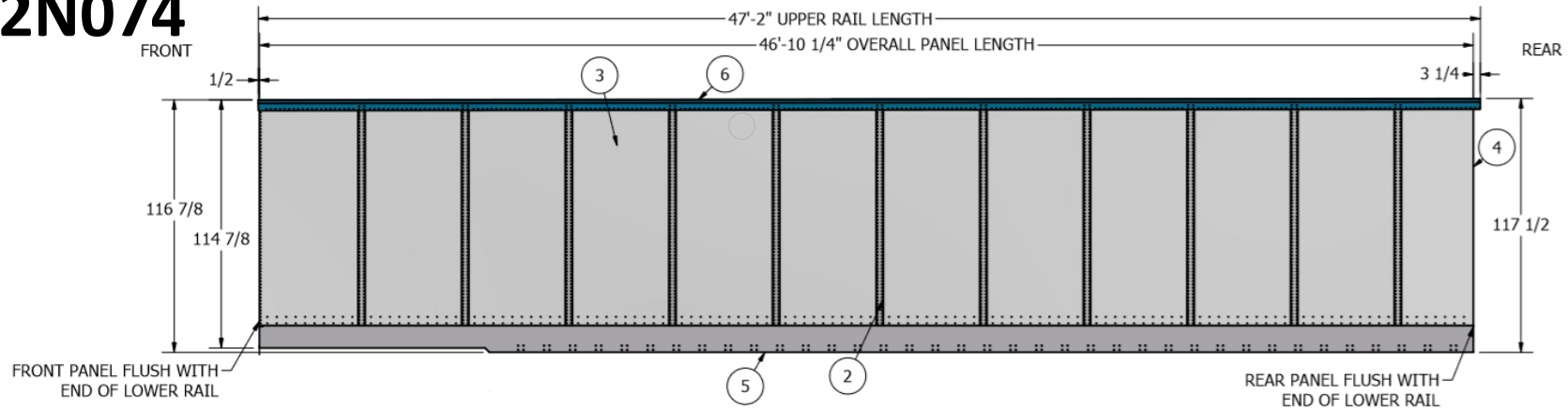


PARTS LIST			
ITEM	QTY	PART NUMBER	DESCRIPTION
1	11	4201116	LOGISTIC SIDEWALL POST
2	11	4201118	OUTER STRIP, PUNCHED
3	11	4201186	COMPOSITE SIDEWALL PANEL
4	1	4201188	REAR SIDEWALL PANEL
5	1	4202020	LOWER RAIL, C/S
6	1	4203020	48' UPPER RAIL - C/S
7	165	6000352	PIN, HUCK C6LB-R12-6GA ZINC
8	18	6000363	BOLT, 3/8-16 x 1-1/4 TORX
9	165	6100352	COLLAR, HUCK - GALVANIZED
10	18	6100377	NUT, 3/8-16 NYLOK PLATED
11	0.35 lb	6300097	RIVET, SOLID - AN455AD 8-16
12	0.04 lb	6300098	RIVET, SOLID - AN455AD 8-18
13	7.11 lb	6300108	RIVET, SOLID - AN455AD 8-10
14	2.07 lb	6300110	RIVET, SOLID - AN455AD 8-12
15	1.96 lb	6300129	RIVET, SOLID - AN455AD 8-14

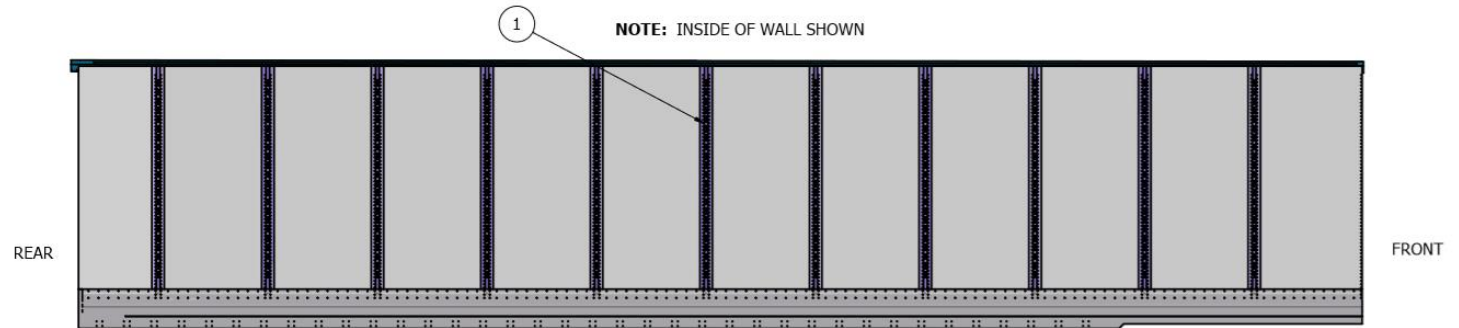
# R/S SIDEWALL ASSEMBLY, 48' NATURAL INNER SURFACE

## 422N074

NOTE: OUTSIDE OF WALL SHOWN



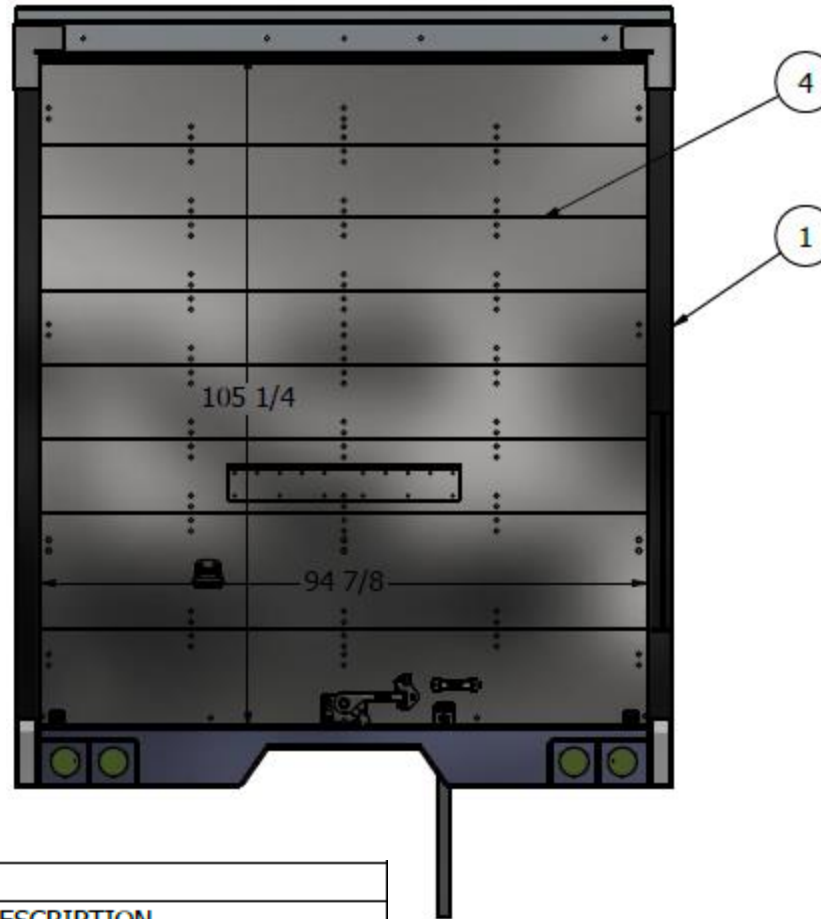
NOTE: INSIDE OF WALL SHOWN



PARTS LIST			
ITEM	QTY	PART NUMBER	DESCRIPTION
1	11	4201116	LOGISTIC SIDEWALL POST
2	11	4201118	OUTER STRIP, PUNCHED
3	11	4201186	COMPOSITE SIDEWALL PANEL
4	1	4201188	REAR SIDEWALL PANEL
5	1	4202019	LOWER RAIL, R/S
6	1	4203019	48' UPPER RAIL - R/S
7	165	6000352	PIN, HUCK C6LB-R12-6GA ZINC
8	18	6000363	BOLT, 3/8-16 x 1-1/4 TORX
9	165	6100352	COLLAR, HUCK - GALVANIZED
10	18	6100377	NUT, 3/8-16 NYLOK PLATED
11	0.35 lb	6300097	RIVET, SOLID - AN455AD 8-16
12	0.04 lb	6300098	RIVET, SOLID - AN455AD 8-18
13	7.11 lb	6300108	RIVET, SOLID - AN455AD 8-10
14	2.07 lb	6300110	RIVET, SOLID - AN455AD 8-12
15	1.96 lb	6300129	RIVET, SOLID - AN455AD 8-14

# ROLL UP DOOR ASSEMBLY

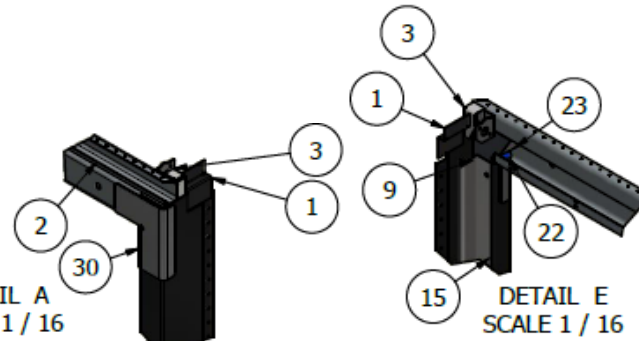
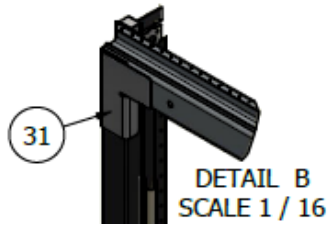
## 500M108



PARTS LIST			
ITEM	QTY	PART NUMBER	DESCRIPTION
1	1	430M040 -G	DOOR FRAME ASSEMBLY
2	1	4300593 -G	DOOR FRAME GUSSET - C/S
3	1	4300594 -G	DOOR FRAME GUSSET - R/S
4	1	4300630	DOOR, ROLL-UP, 1/4" COMPOSITE

# DOOR FRAME ASSEMBLY

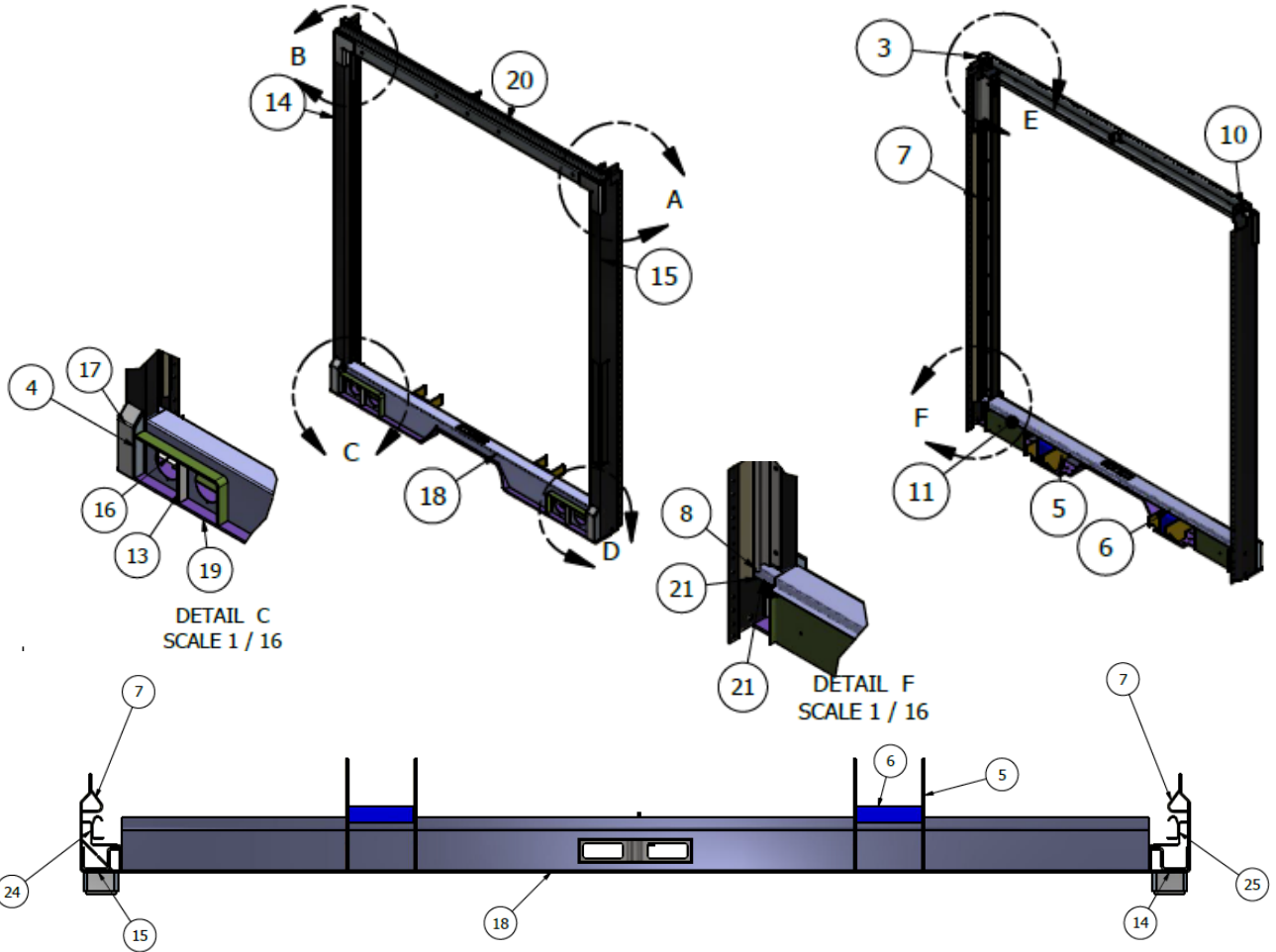
## 430M040



**TRAILER MODELS:**

LTL28N00A-30	LTL48N00A-25
LTL28N00A-32	LTL48N00A-35
LTL28N00A-33	LTL48N00A-36
LTL28N00A-34	LTL48N00A-37
LTL28N00A-35	LTL48N00A-38

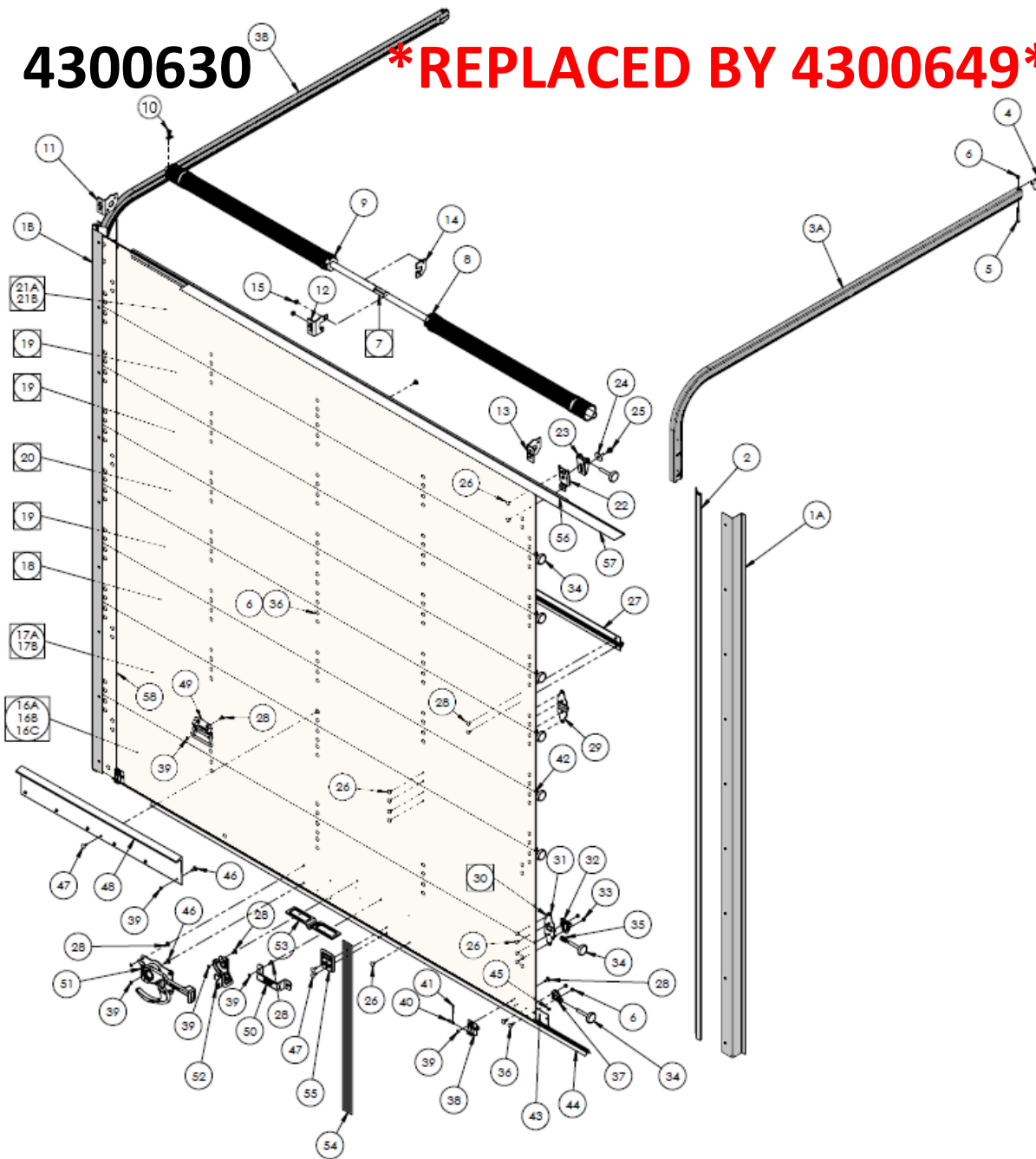
PARTS LIST			
ITEM	QTY	PART NUMBER	DESCRIPTION
1	2	4100407	SUPPORT, UPPER RAIL 53'
2	1	4300206	ANGLE, RAIN GUTTER - CARBON
3	1	4300564	C/S DOOR FRAME GUSSET
4	4	4300567	DOOR FRAME CORNER GUARD
5	4	4300570	BUMPER MOUNT GUSSET
6	2	4300571	BUMEPR MOUNTING PLATE
7	2	4300582	DOOR TRACK GUARD
8	2	4300583	DOOR POST SPACER
9	2	4300584	FRONT CORNER GUSSET
10	1	4300590	R/S DOOR FRAME GUSSET
11	2	4300591	TAIL LIGHT COVER PLATE
12	2	4300598	DOOR POST REINFORCEMENT
13	2	4300632	TAIL LIGHT CENTER GUARD, HD
14	1	4300636-G	R/S DOOR POST
15	1	4300637-G	C/S DOOR POST
16	2	4300638	TAIL LIGHT GUARD, HD
17	2	4300639	DOOR FRAME REINFORCEMENT
18	1	4300642 -G	DOOR SILL - FORMED
19	1	4300643	DOOR SILL SUPPORT PLATE
20	1	4300979-G	DOOR HEADER
21	2	4300993	GUSSET, DOOR SILL FILLER
22	2	4306229	HEADER HARNESS PROTECTOR
23	2	4306236	REAR CORNER GUSSET
24	1	50403.013368	C/S VERTICAL TRACK
25	1	50403.023368	R/S VERTICAL TRACK
26	1	59314.1000	C/S SPRING BRACKET
27	1	59314.2000	R/S SPRING BRACKET
28	1	59317	CENTER SPRING BRACKET
29	1	70339	TODCO DOOR LATCH PLATE
30	1	9000025	C/S DOOR FRAME BRACKET
31	1	9000026	R/S DOOR FRAME BRACKET



# TODCO ROLL UP DOOR REPLACEMENT

4300630

**\*REPLACED BY 4300649\***

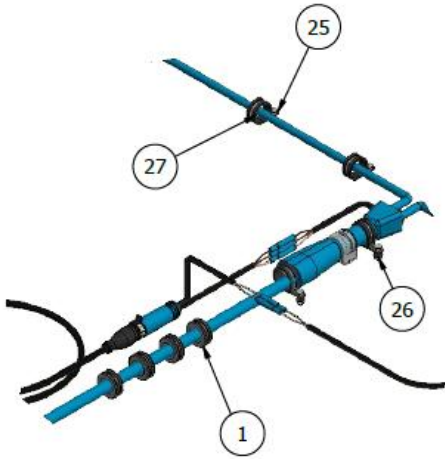


ITEM	PART NUMBER	DESCRIPTION	QTY
1A	50403.013356	VERTICAL TRACK - 104 7/8" CURBSIDE	1
1B	50403.023356	VERTICAL TRACK - 104 7/8" ROADSIDE	1
2	70584.3488	1 1/2" BRUSH PUSH IN SEAL (109")	2
3A	50223.0144800576	6" R HORIZONTAL TRACK - 104" CURBSIDE	1
3B	50223.0244800576	6" R HORIZONTAL TRACK - 104" ROADSIDE	1
4	70483.1000	2" TRACK STOP - RUBBER BUMPER	2
5	80105.4200	BOLT, HEX HD 1/4-20 x 2-1/2	2
6	89231.2000	KEPS NUT - 1/4-20	16
7	59334.18832072	CB ASSY COMPLETE - .88x32 SPRING x 96" SHAFT	1
8	59333.18832	CURB SIDE SPRING ASSEMBLY - .188x32	1
9	59332.18832	ROADSIDE SPRING ASSEMBLY - .188x32	1
10	80401.5240	COTTER PIN - 5/32 x 1 1/2	2
11	59314.2000	HEAD PLATE - DUAL SPRING (RH)	1
12	59315.2000	CENTER PLATE - DUAL SPRING	1
13	59314.1000	HEAD PLATE - DUAL SPRING (LH)	1
14	59316.0000	CENTER CLAMP - DUAL SPRING	1
15	89155.1000	FLANGE LOCK NUT - 5/16-18	12
16A	130000150x9763CO	7.5mm BOTTOM PANEL - 15x97 5/8" COMPLETE	1
16B	130000150x9763LL	7.5mm BOTTOM PANEL - 15x97 5/8" LESS LOCK	1
16C	130000150x9763NH	7.5MM BOTTOM PANEL - 15x97 5/8" NO EXTRIOR HARDWARE	1
17A	130001180x9763CO	7.5mm INTERMEDIATE PANEL - 18x97 5/8 COMPLETE	1
17B	130001180x9763NH	7.5mm INTERMEDIATE PANEL - 18x97 5/8 NO HARDWARE	1
18	130001115x9763FP	7.5mm INT PANEL- 11 1/2x97 5/8 W/FORKLIFT PLATE	1
19	130001115x9763NH	7.5mm INT PANEL- 11 1/2x97 5/8 NO HARDWARE	3
20	130001115x9763RE	7.5mm INT PANEL- 11 1/2x97 5/8 W/REINF. STRAP INSTALL	1
21A	130002136x9763CO	7.5mm TOP PANEL - 13 5/8x97 5/8 COMPLETE	1
21B	130002136x9763NH	7.5mm TOP PANEL - 13 5/8x97 5/8 NO HARDWARE	1
22	69432.0000.05	TOP FIXTURE BASE - BLACK	2
23	69431.0000.05	TOP FIXTURE SLIDE - BLACK	2
24	80302.2648	FLATWASHER - 1 1/2"	2
25	89049.0000	E-LOC BOLT - 3/8 x 1/2"	2
26	89210.0016	STEEL RIVET, 1/4x0.50	139
27	70569.3008	REFINFORCEMENT STRAP (94")	4
28	89210.0019	STEEL RIVET, 1/4 x 0.594	41
29	70159.0000	CENTER HINGE ASSEMBLY	21
30	70514.0000	END HINGE ASSEMBLY (INCLUDES 311, 32, 33)	14
31	70513.0000	END HINGE (LESS CAP AND NUTS)	14
32	70161.0000	HINGE ROLLER CAP	14
33	89042.2000	1/4-20 NYLOCK NUT	28
34	70225.0000	NYLON 2" ROLLER	18
35	80020.0000	ROLLER SPACER WASHER	16
36	80015.0024	CARRIAGE BOLT - 1/4-20 x 3/4"	14
37	70309.0000.05	REMOVABLE ROLLER HOLDER - BLACK	2
38	59193.0000.41	HD CABLE BRACKET - TECH WHITE	2
39	89275.0000	SS CONICAL WASHER	38
40	61026.0000	CABLE ANCHOR PIN	2
41	80401.3160	COTTER PIN 3/32 x 1	2
42	70534.3264	JOINT SEAL (102")	7
43	70565.3136	7.5mm ENCAPSULATED BOTTON ANGLE (98")	1
44	70578.3136	ARMORPLATE BOTTOM SEAL - 4 LIP VINYL (98")	1
45	89100.1000	DRIVE RIVET - 3/16 x 9/32	2
46	89210.0023	STEEL RIVET, 1/4 x .718	21
47	89210.0026	STEEL RIVET, 1/4 x .813	3
48	70306.1152.41	36" FORKLIFT PLATE - TECH WHITE	1
49	69325.0000.41	DROP LIFT HANDLE - TECH WHITE	1
50	61401.0000.41	TODCO LIFT HANDLE - TECH WHITE	1
51	70223.0000.41	OFFSET LEVER MS LOCK - TECH WHITE	1
52	69572.0000.41	MS LOCK SECONDARY KEEPER - TECH WHITE	1
53	70339.0000	FLUSH MOUNT CATCH BOX	1
54	70393.1408	PULL STRAP 44" BLACK	1
55	69832.0000.41	PULL STRAP RETAINER - TECH WHITE	1
56	70566.3136	7.5mm HEAD SEAL RETAINER (98")	1
57	69718.0032	RUBBER HEAD SEAL	8.136 FT
58	59003.0000	130" CABLE (PAIR)	1
59	70318.0000	SAFETY & WARNING DEACL (NOT SHOWN)	1
60	70319.0000	SPRING WARNING DEACL (NOT SHOWN)	1
62	70545.0000	INSTALL & MAINTENANCE DEACL (NOT SHOWN)	1
63	70405.0000	TODCO OWNERS MANUAL (NOT SHOWN)	1

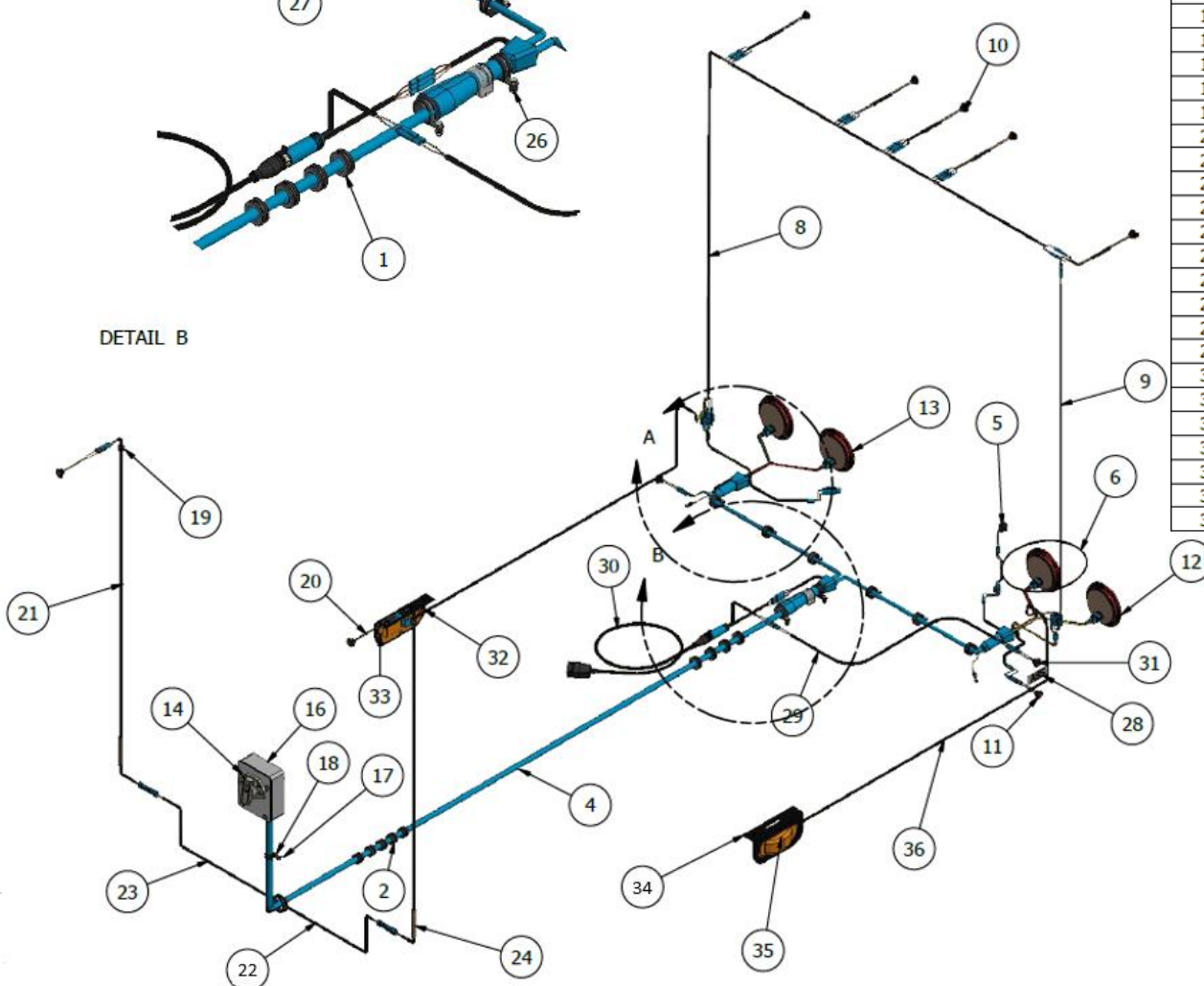


# ELECTRICAL ASSEMBLY, LTL48'

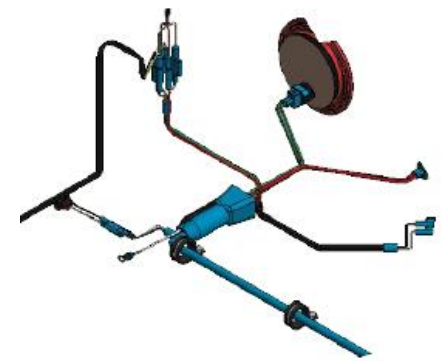
## 800M123



DETAIL B



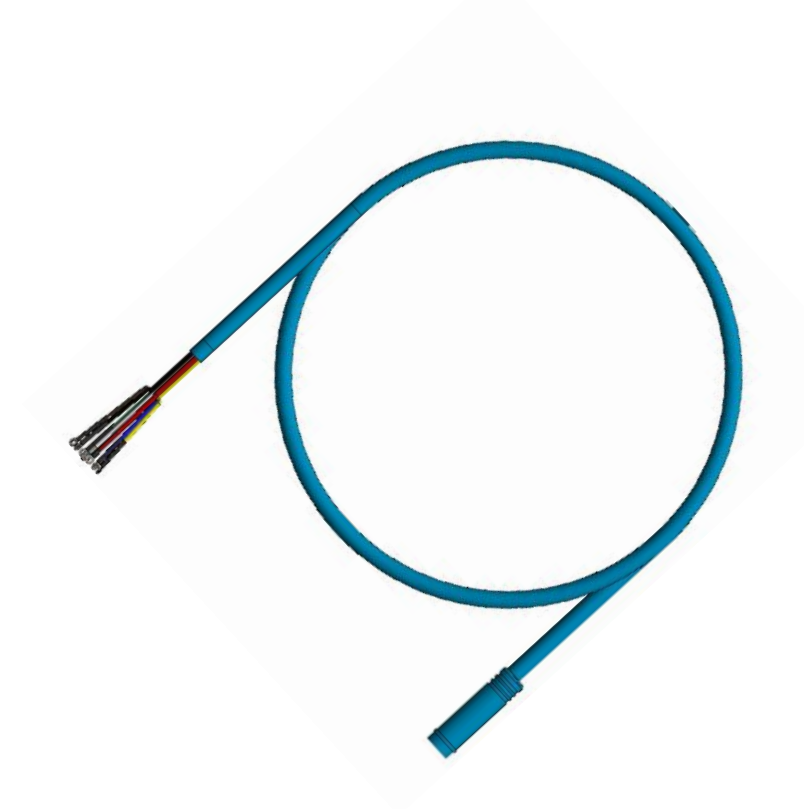
PARTS LIST			
ITEM	QTY	PART NUMBER	DESCRIPTION
1	8	8000459	GROMMET 1 3/4"
2	4	8000477	GROMMET 1"
3	1	8000550	REAR SILL HARNESS
4	1	8000592	MAIN HARNESS
5	1	8000196	LICENSE LIGHT
6	1	8000197	MARKER LIGHT JUMPER
7	2	8000451	GROMMET 1 1/16"
8	1	8000553	DOOR HEADER HARNESS
9	1	8000554	TURN SIGNAL JUMPER
10	5	8000571	MICRO-NOVA DOT DUAL RED LED
11	2	8000570	MICRO-NOVA DOT RED LED
12	12	6300119	RIVET,POP
13	4	8000875	TAIL LIGHT 4"
14	4	6000298	BOLT, 5/16" - 18 x 2 1/2"
15	1	8000476	GROMMET2"
16	1	8000943	7-WAI SMART BOX
17	1	6300015	RIVET, POP
18	1	8000261	CLAMP, RUBBER CUSHION
19	2	8000458	GROMMET 5/8"
20	2	8000572	MICRO-NOVA AMBER DOT LED
21	2	8000594	FORWARD WALL HARNESS
22	1	8000596	JUMPER HARNESS 36"
23	1	8000597	JUMPER HARNESS 96"
24	1	8000997	SPLIT LOOM
25	8	6000275	BOLT, 1/4" -20 x 3/4"
26	8	6100256	NUT 1/4" - 20
27	8	8000275	CLAMP, CUSHION 1 1/4"
28	1	7500200	ABS FAULT DECAL
29	1	8000561	ABS LIGHT JUMPER HARNESS
30	1	8000564	ABS POWER HARNESS-SEMI
31	1	8000573	MICRO-NOVA AMBER LED
32	2	6300126	RIVET, POP
33	2	6300153	RIVET, POP
34	2	8000064	MOUNTING BRACKET, OVAL MID-TURN
35	2	8000132	MID-TURN LED FLANGE MOUNT
36	2	8004809	MID-TURN HARNESS



DETAIL A

# MAIN HARNESS 648", LTL45' & 48'

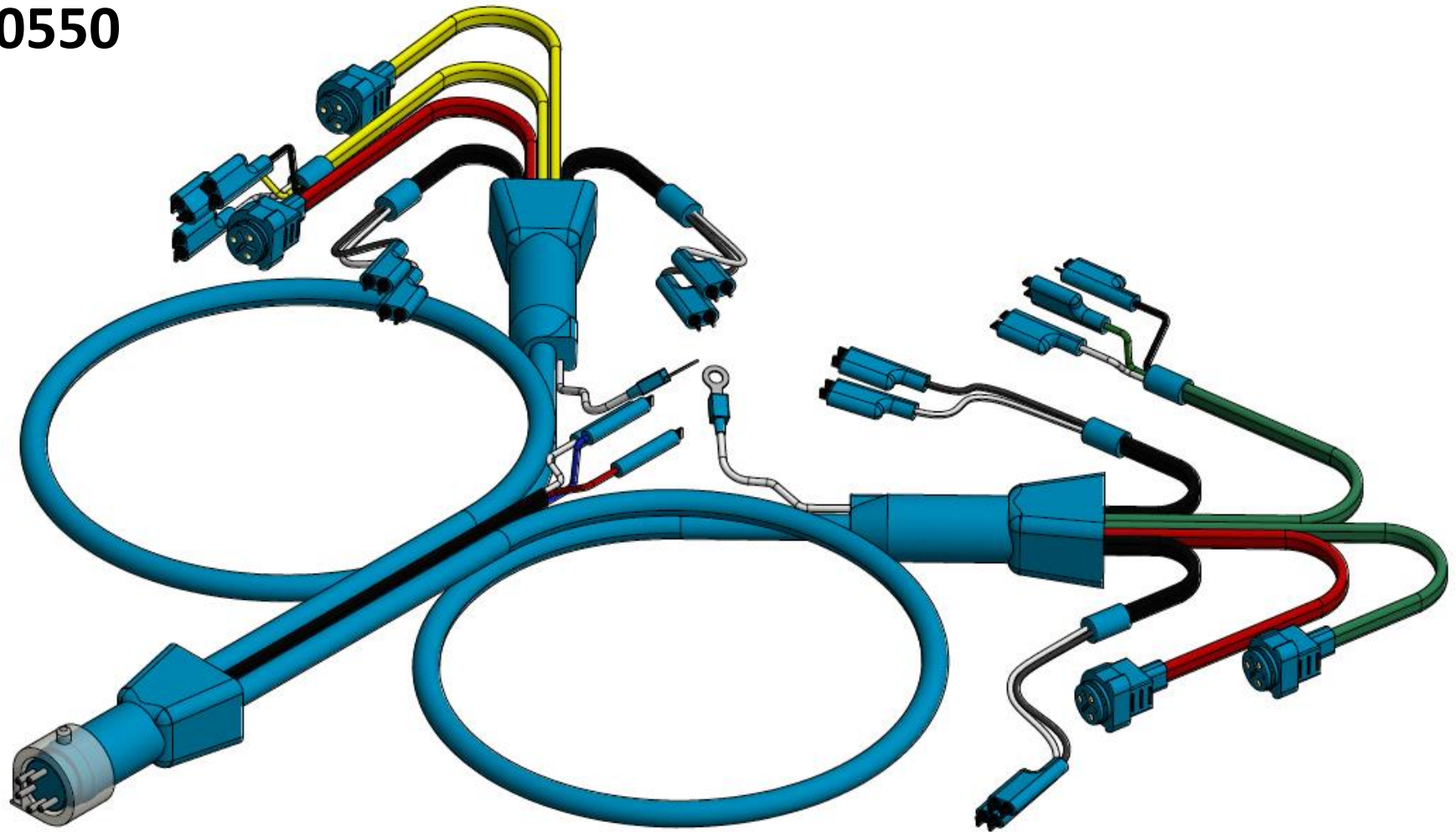
8000592





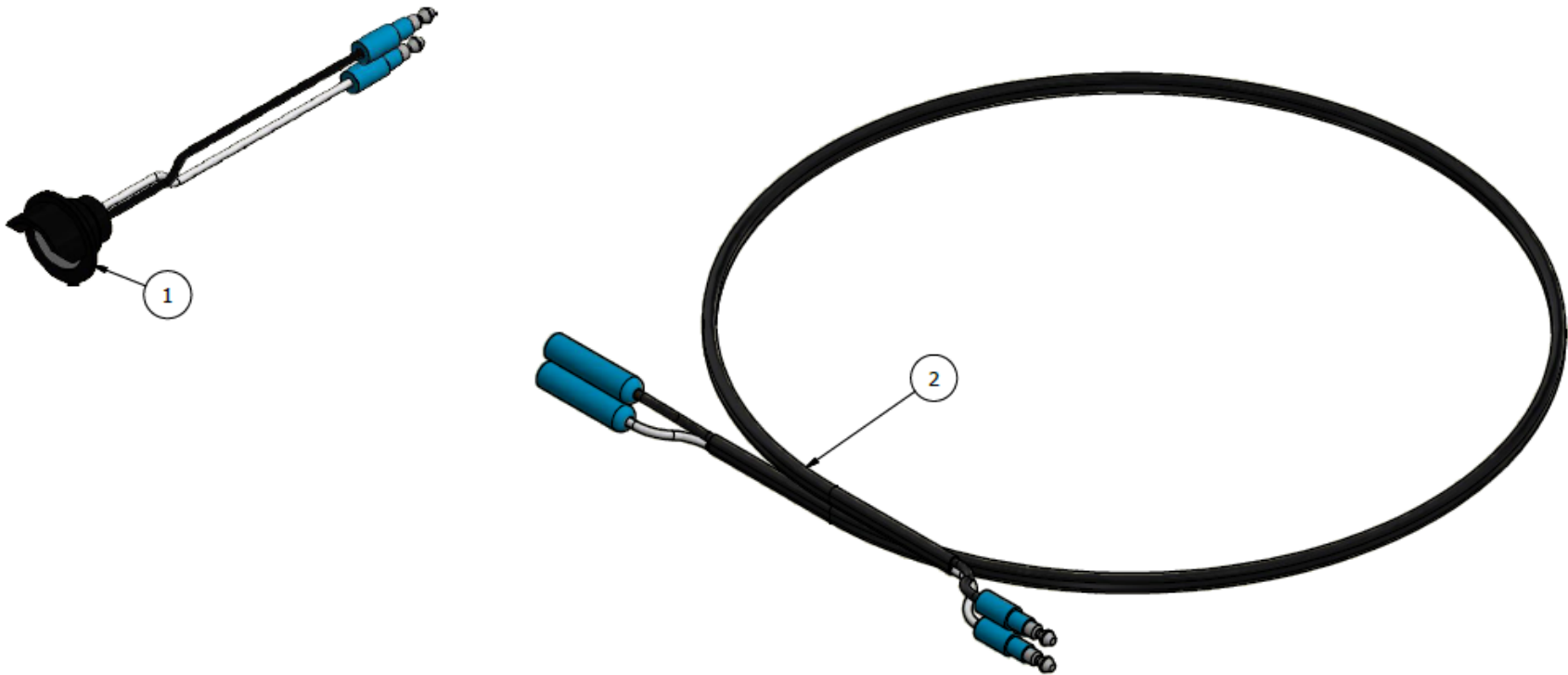
# REAR HARNESS-ABS

8000550



# PINTLE HOOK/ LICENSE LAMP ASSEMBLY

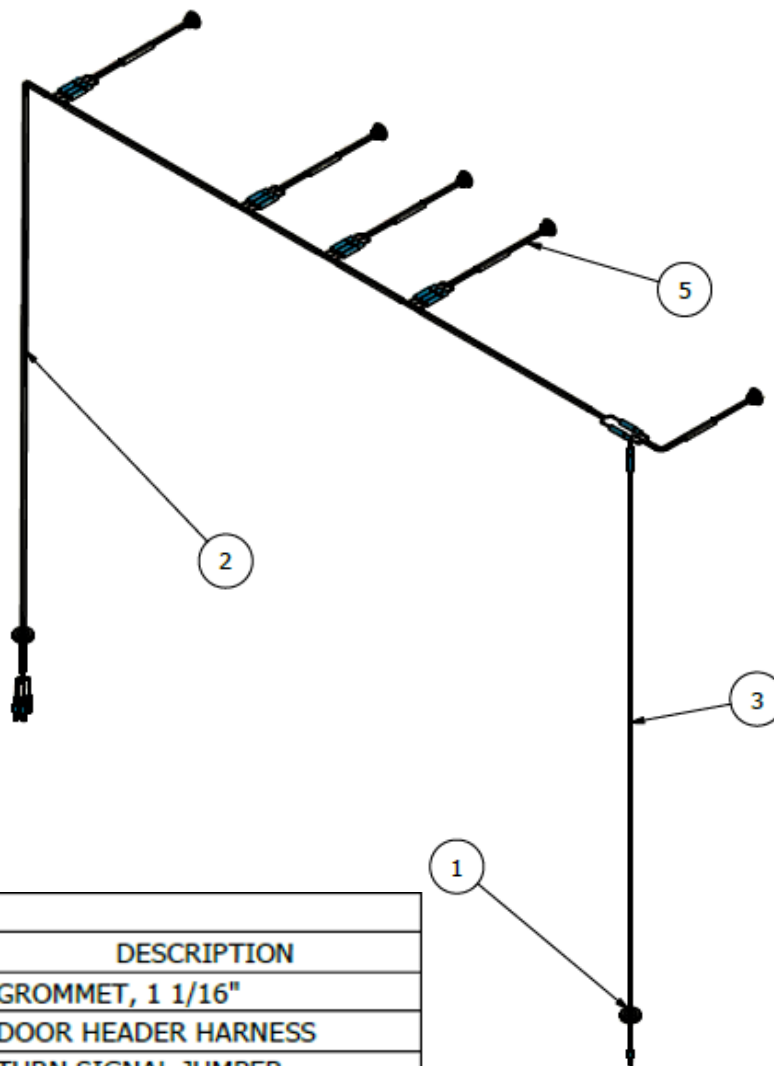
## 800N267



PARTS LIST			
ITEM	QTY	PART NUMBER	DESCRIPTION
1	1	8000196	LICENSE LIGHT MICRO-NOVA
2	1	8000197	MARKER LIGHT JUMPER 36"

# DOOR HEADER ELECTRICAL ASSEMBLY

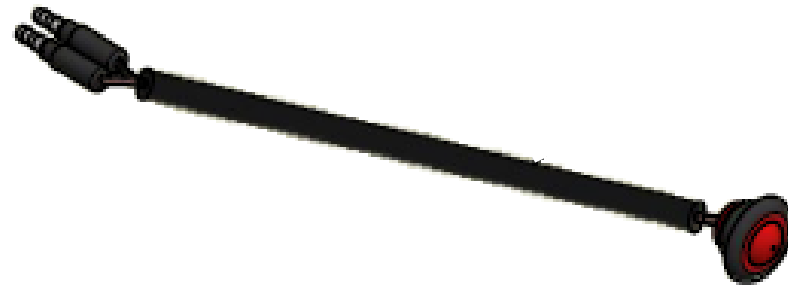
## 800N325



PARTS LIST			
ITEM	QTY	PART NUMBER	DESCRIPTION
1	2	8000451	GROMMET, 1 1/16"
2	1	8000553	DOOR HEADER HARNESS
3	1	8000554	TURN SIGNAL JUMPER
4	5	8000571	MICRO-NOVA DOT RED LAMP

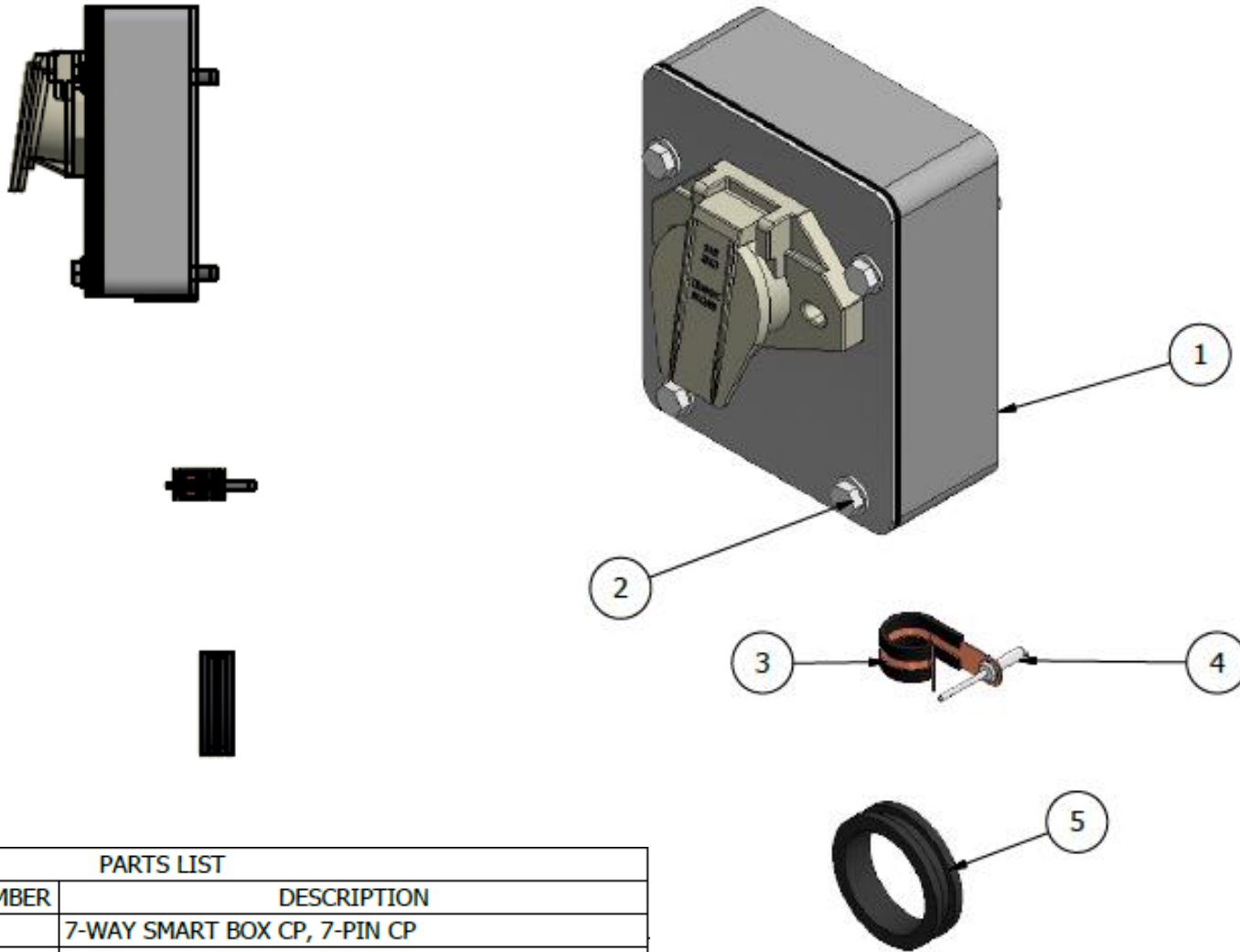
# LOWER/ REAR MARKER LIGHT ASSEMBLY

800N326



# 7-WAY ASSEMBLY FORWARD WALL

## 800N344



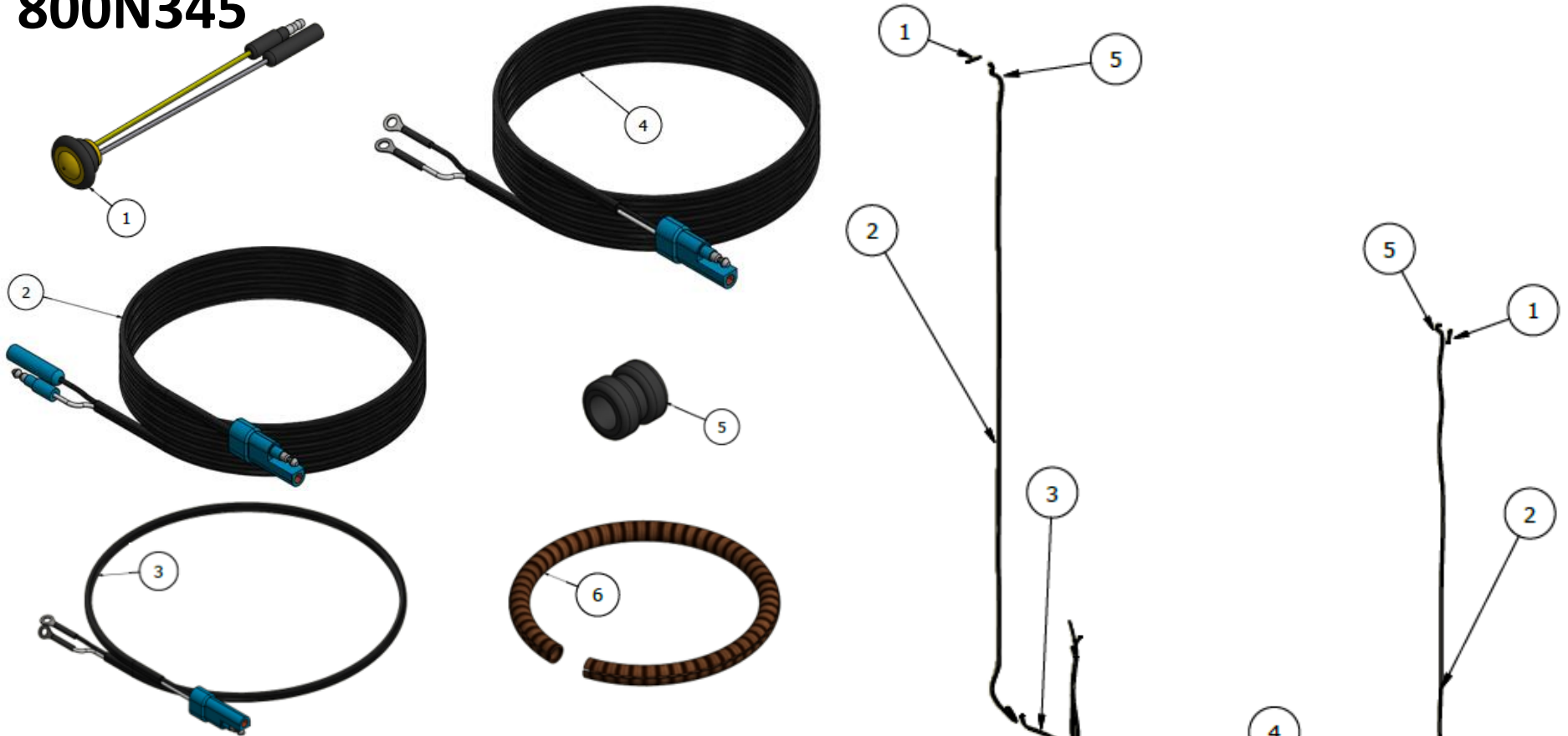
PARTS LIST			
ITEM	QTY	PART NUMBER	DESCRIPTION
1	1	8000943	7-WAY SMART BOX CP, 7-PIN CP
2	4	6000298	BOLT, 5/16-18 x 2 3/4" TRILOBULAR SELF-TAPPING
3	1	8000261	CLAMP, RUBBER CUSHING - 3/4"
4	1	6300015	RIVET, POP - 6-9 CLOSED END
5	1	8000476	GROMMET, 2" HOLE, 1 3/4" ID

7-WAY BOX:

TRAMEC 38521

# FORWARD WALL ELECTRICAL ASSEMBLY

## 800N345



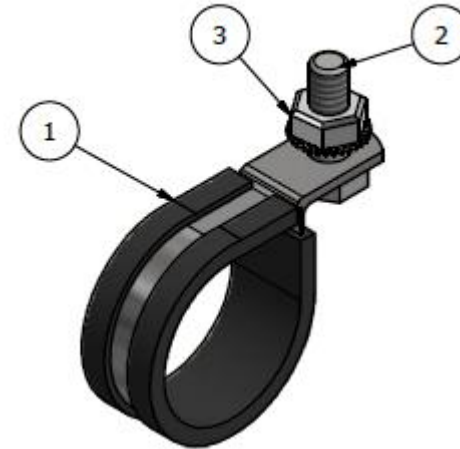
PARTS LIST

ITEM	QTY	PART NUMBER	DESCRIPTION
1	2	8000572	MICRO-NOVA DOT AMBER, LED
2	2	8000594	FORWARD HARNESS CS & RS
3	1	8000596	JUMBER HARNESS 36" RS MARKER
4	1	8000597	JUMBER HARNESS 96" CS MARKER
5	2	8000458	GROMMET 5/8" HOLE
6	2	8000997	SPLIT LOOM 3/8"



# REAR SILL FASTENER ASSEMBLY

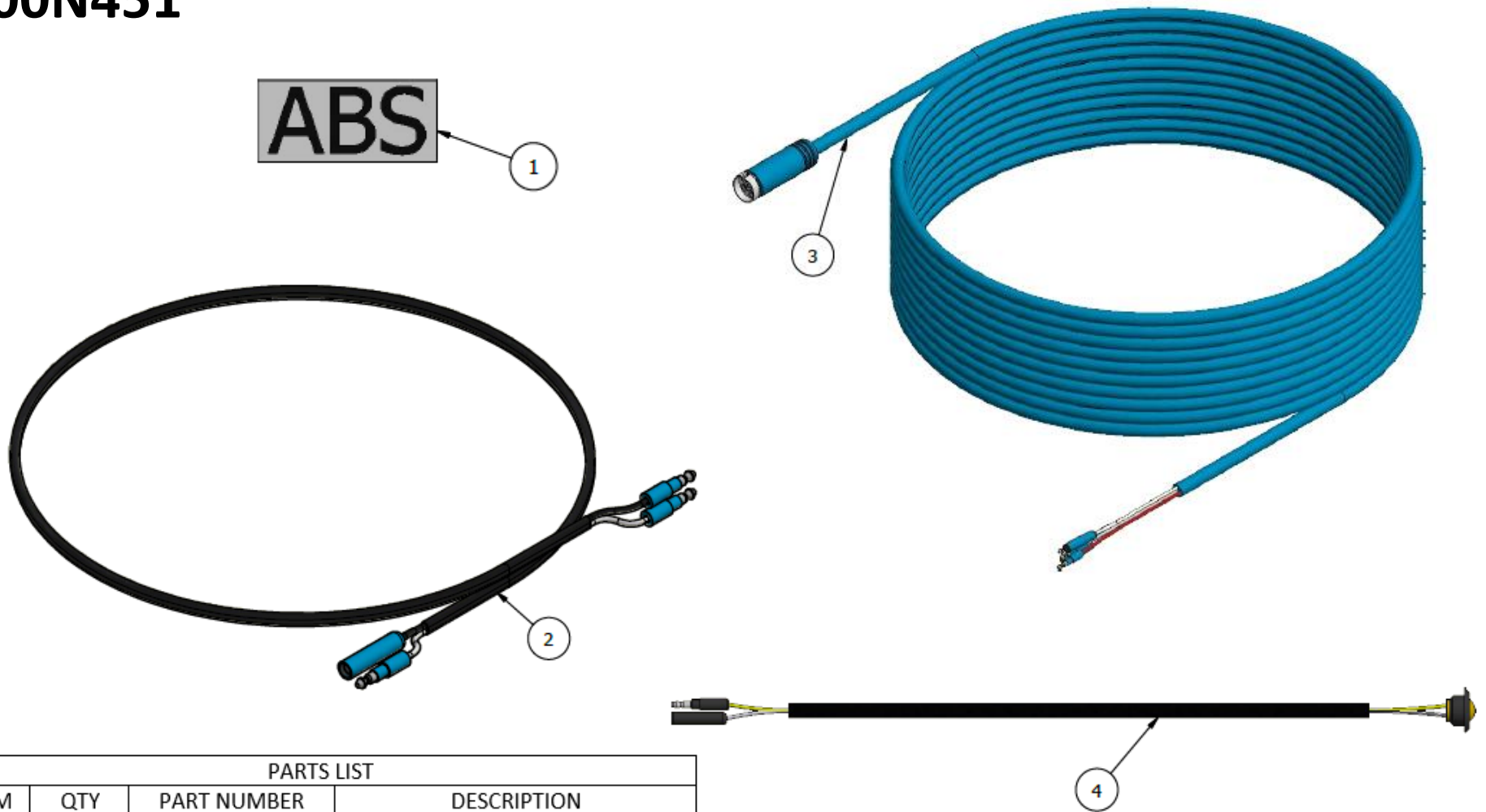
## 800N346 & 800N347



PARTS LIST			
ITEM	QTY	PART NUMBER	DESCRIPTION
1	8	8000275	CLAMP, RUBBER CUSHION 1 1/4"
2	8	6000275	BOLT 1/4"-20 x 3/4" GRADE 8 PLATED
3	8	6100256	NUT 1/4"-20 KEP STAINLESS

# ABS LIGHT ASSEMBLY, LTL SEMI

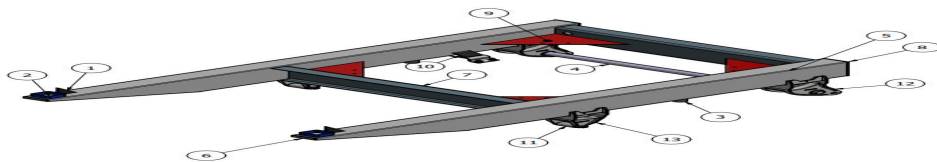
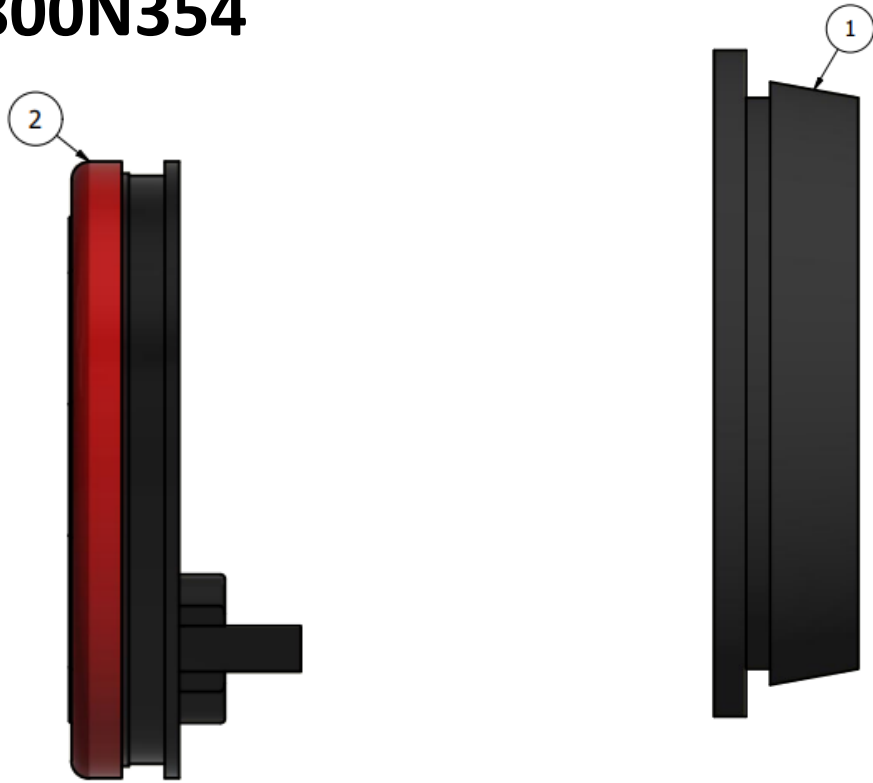
## 800N451



PARTS LIST			
ITEM	QTY	PART NUMBER	DESCRIPTION
1	1	7500200	ABS DECAL
2	1	8000561	ABS LIGHT JUMPER 54"
3	1	8000564	ABS POWER HARNESS 26'
4	1	8000573	MICRO-NOVA DOT AMBER LAMP

# TAILLIGHT ASSEMBLY

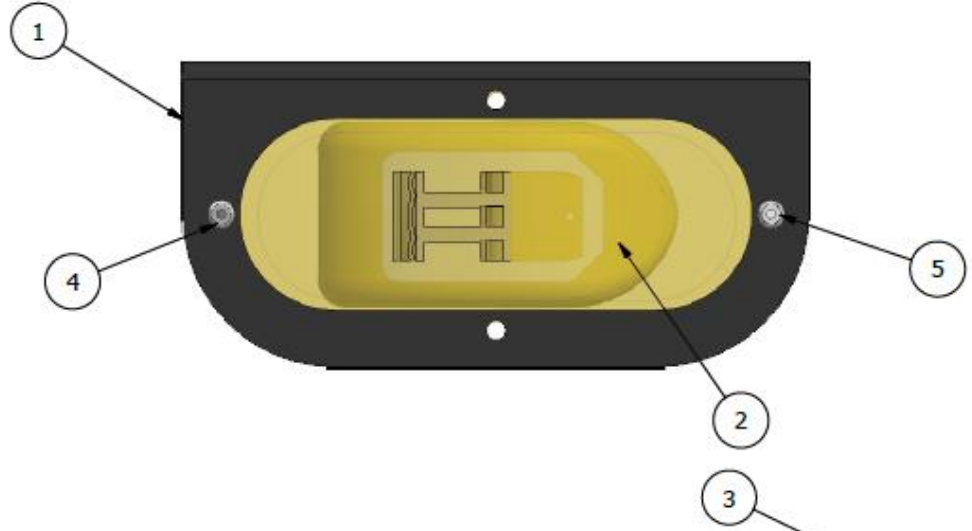
800N354



TAIL LIGHT:  
GROTE 53252-3

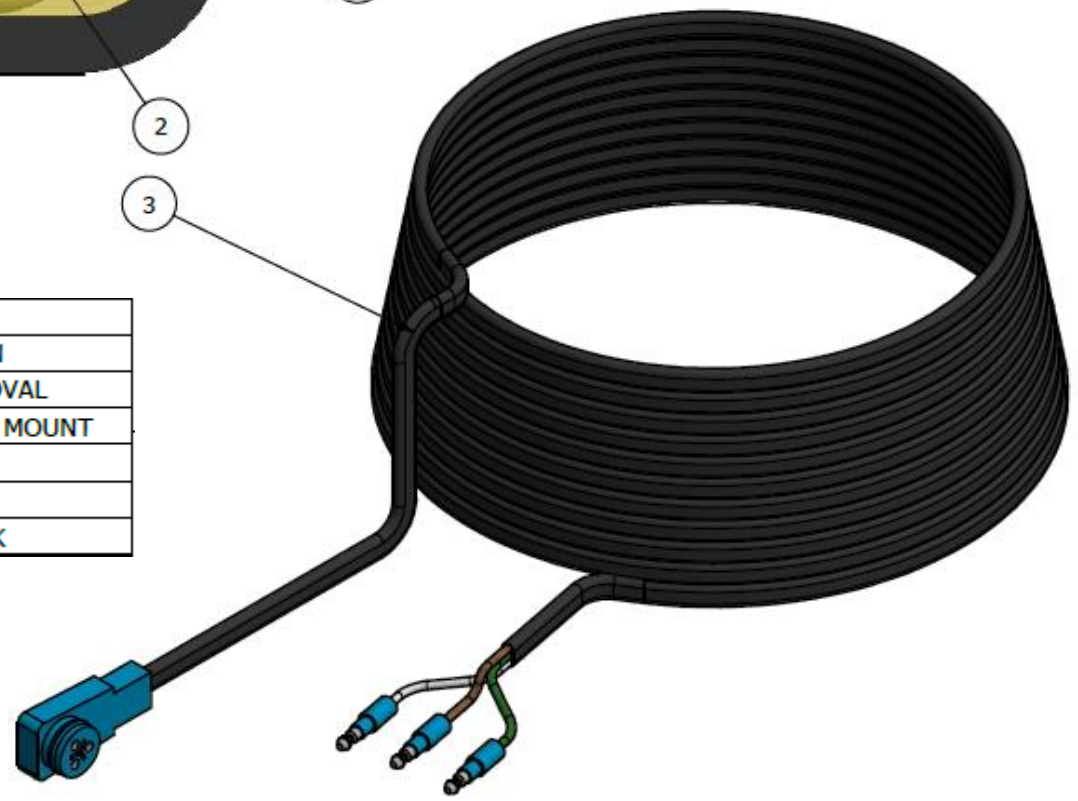
# MID TURN ELECTRICAL ASSEMBLY, LTL 48'

## 800N536



PARTS LIST			
ITEM	QTY	PART NUMBER	DESCRIPTION
1	2	8000064	MOUNTING BRACKET, OVAL
2	2	8000132	MID-TURN LED FLANGE MOUNT
3	2	8004809	MID-TURN HARNESS
4	2	6300126	RIVET, POP
5	2	6300153	RIVET, POP-MAGNA-LOK

MID TURN SIGNAL:  
GROTE 01-5420-33



# AIR BRAKE ASSEMBLY, LTL 48'

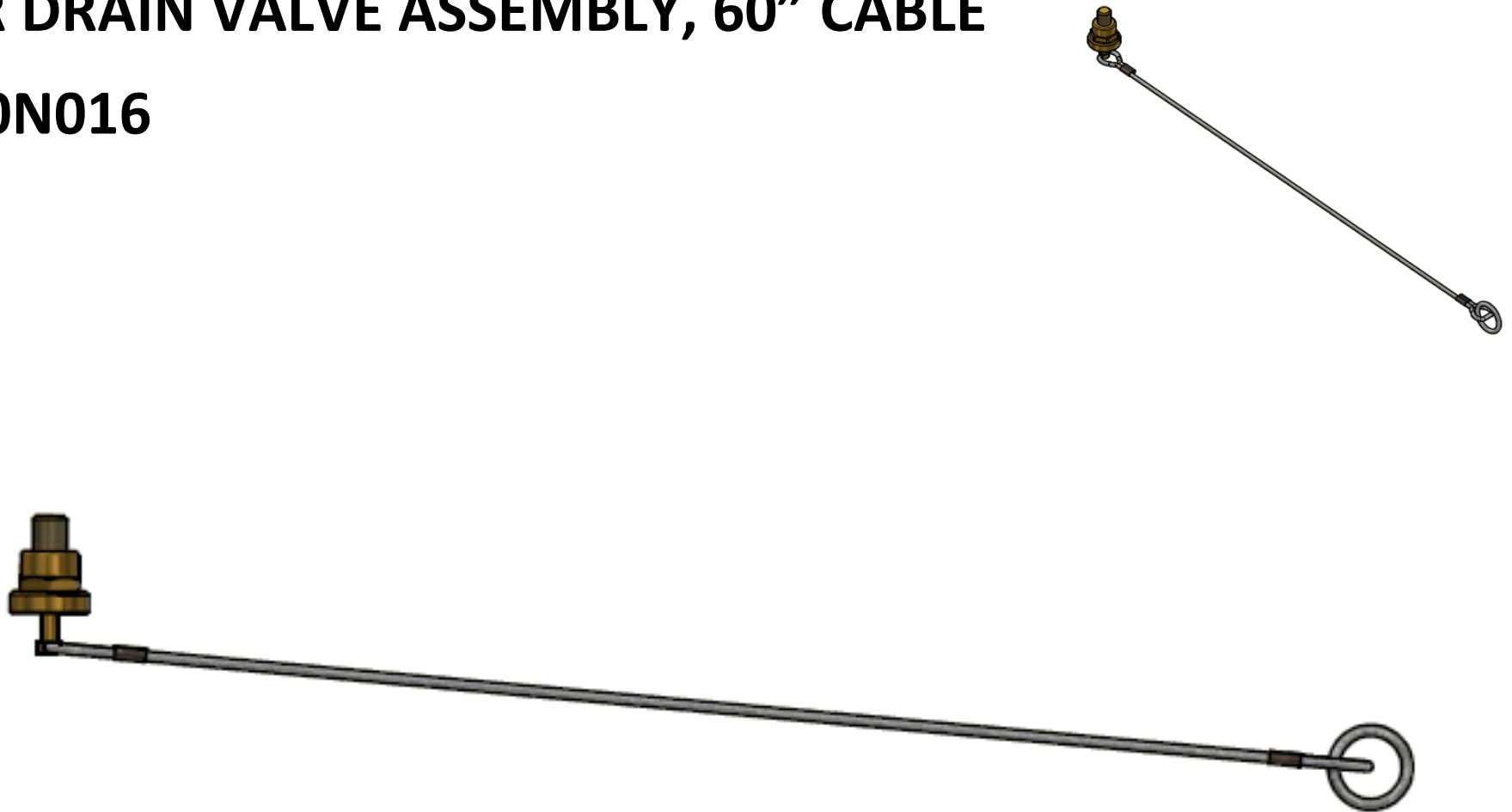
## SPRING RIDE, WABCO ABS

### 700M132

PARTS LIST			
ITEM	QTY	PART NUMBER	DESCRIPTION
1	2	210N071	SUPPORT SPRING ASSEMBLY, 16.5"
2	1	700N016	AIR DRAIN VALVE ASSM, 60" CABLE
3	2	700N142	AIR BRAKE CHAMBER CONNECTOR ASSM
4	1	700N253	BOGIE HOSE HANGER ASSM
5	1	700N376	VALVE ASSM, SPRING BRAKE
6	1	700N377	MOUNTING PLATE ASSM, AIR BRAKE VAVLE
7	1	700N378	AIR FILTER ASSM
8	1	700N379	VALVE ASSM, ABS
9	1	700N380	RELAY VALVE ASSM
10	1	700N389	AIR TANK ASSM, SEMI
11	1	700N403	AI BRAKE HOSE ASSEMBLY
12	1	700N406	GLADHAND ASSEMBLY, SEMI
13	1	700N411	BOGIE HOSE HANGER ASSEMBLY
14	1	700N520	AIR BRAKE CLAMP ASSM
15	8	8000478	GROMMET, 13/16" HOLE

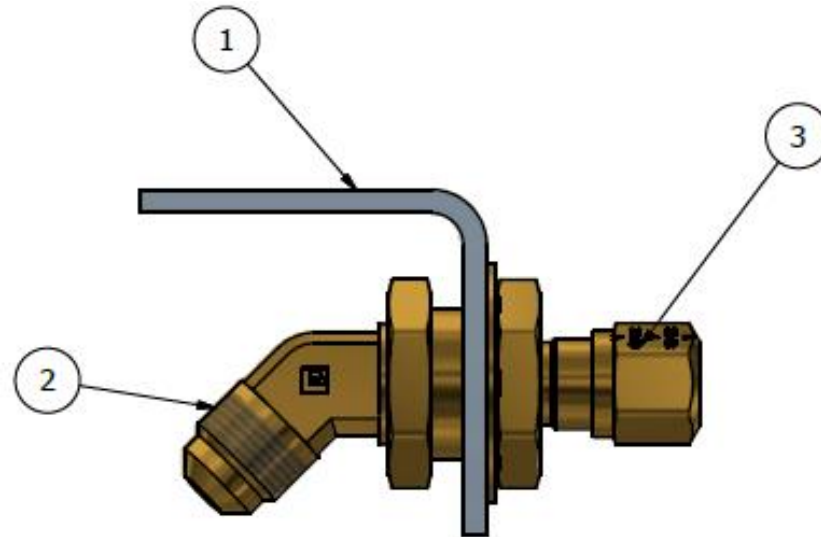
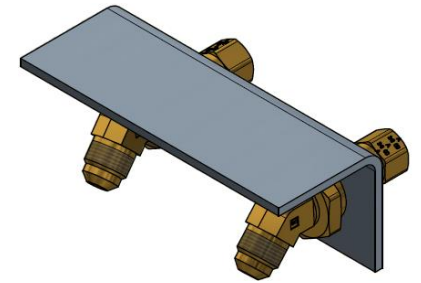
# AIR DRAIN VALVE ASSEMBLY, 60" CABLE

## 700N016





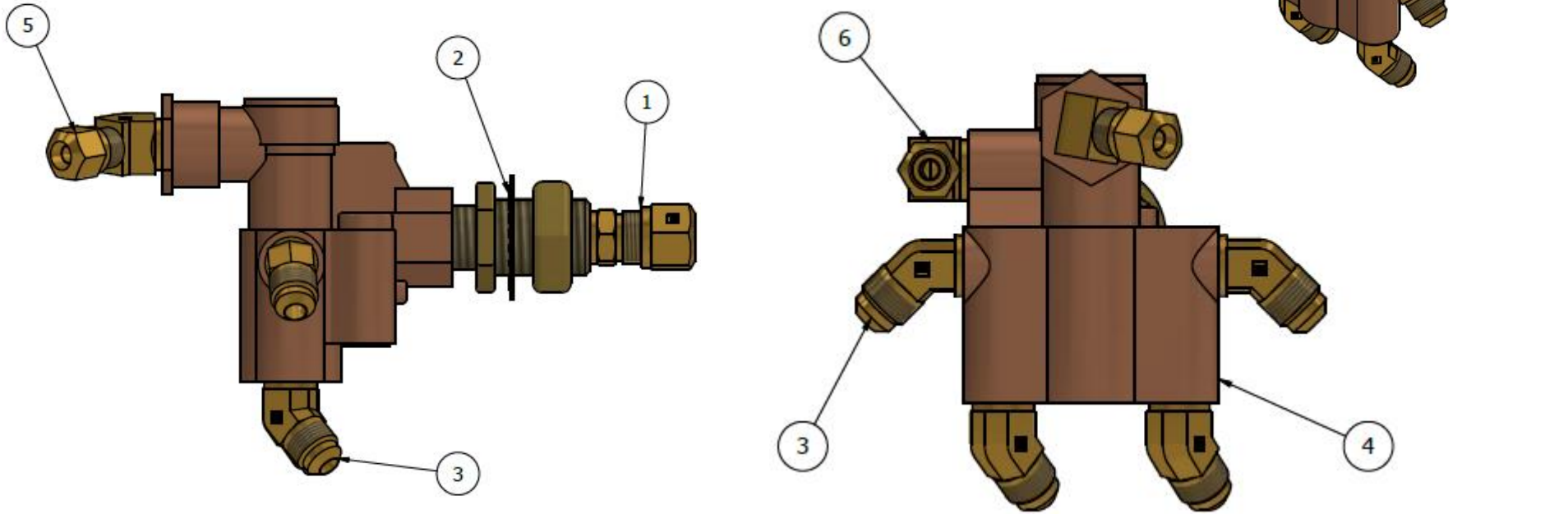
# BOGIE HOSE HANGER ASSEMBLY, LTL SEMI 700N253



PARTS LIST			
ITEM	QTY	PART NUMBER	DESCRIPTION
1	1	2104521	ANGLE, SLIDER HOSE HANGER
2	2	7000216	FITTING, MALE ELBOW 45 DEGREE
3	2	7045035	FITTING, BULKHEAD CONNECTION

# SPRING BRAKE VALVE ASSEMBLY, LTL SEMI

## 700N376



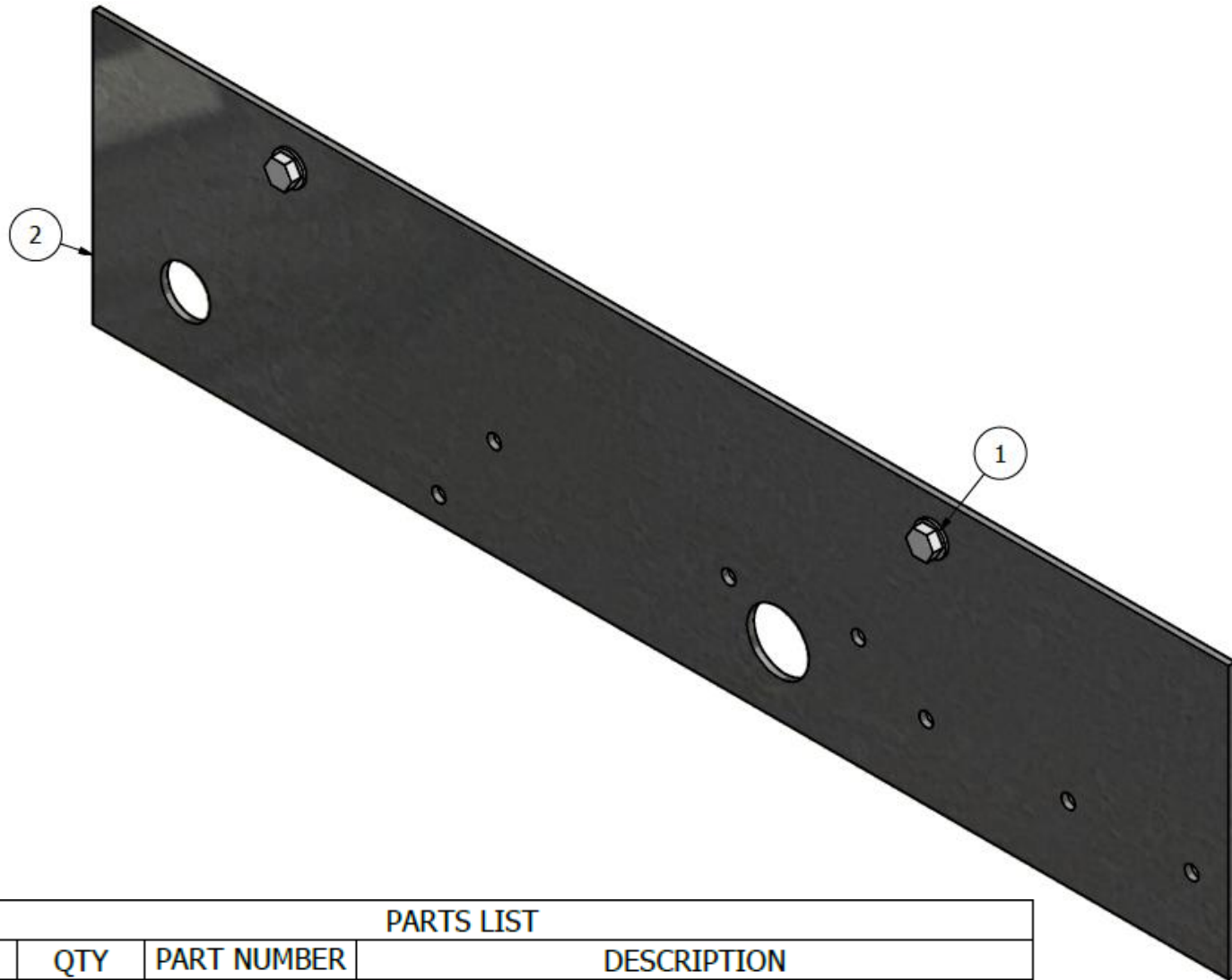
VALVE:

SEALCO 110700

PARTS LIST			
ITEM	QTY	PART NUMBER	DESCRIPTION
	1	700N376	SPRING BRAKE VALVE
1	1	7000143	FITTING, MALE CONNECTOR
2	1	7000188	CLAMPING STUD
3	4	7000216	FITTING, MALE ELBOW 45 DEGREE
4	1	7001213	VALVE, SPRING BRAKE CONTROL
5	1	7045007	FITTING, 45 DEGREE ELBOW
6	1	7045008	FITTING, 90 DEGREE ELBOW

# AIR BRAKE VALVE MOUNTING PLATE ASSEMBLY, LTL SEMI

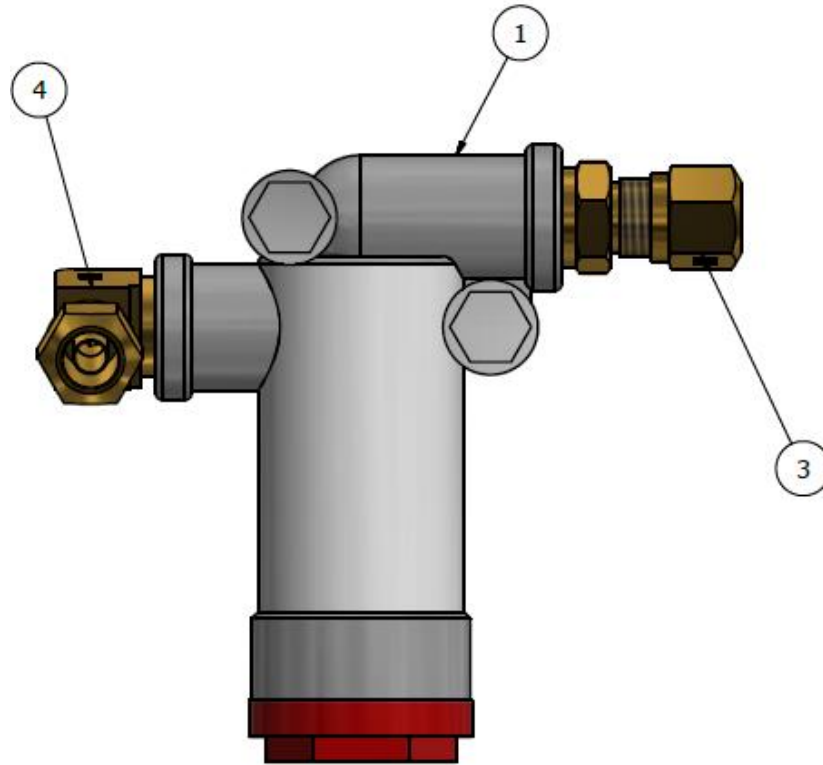
700N377



PARTS LIST			
ITEM	QTY	PART NUMBER	DESCRIPTION
1	2	6000312	BOLT, 5/16"-18 x 3/4" TRILOBULAR SELF TAPPING
2	1	7000064	MOUNTING PLATE, AIR BRAKE VALVE

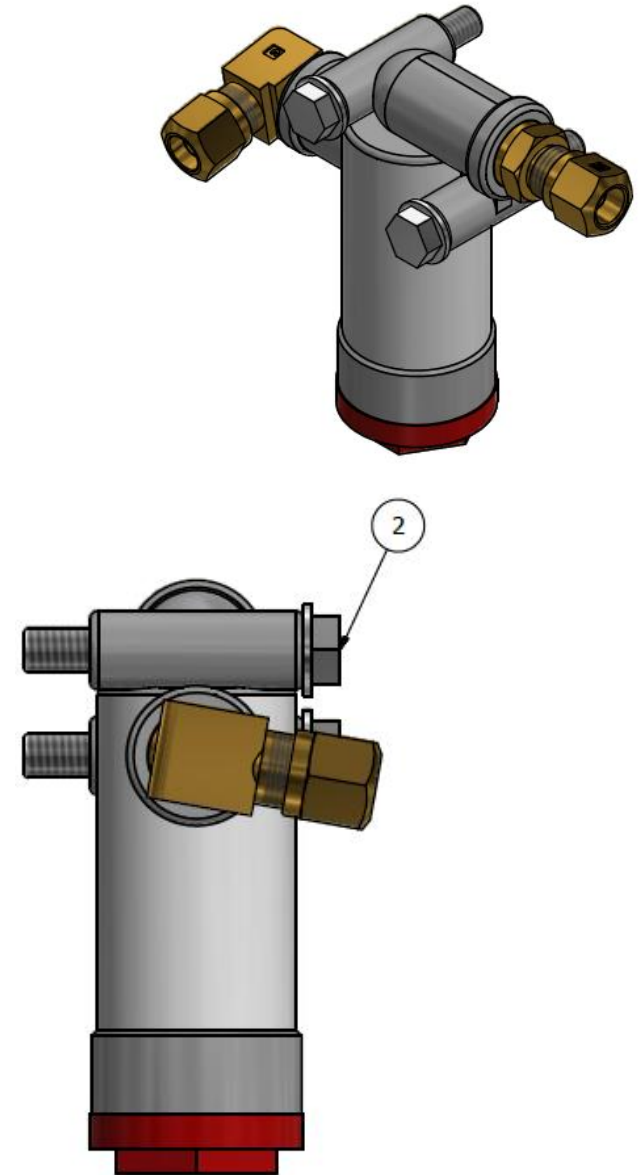
# AIR FILTER ASSEMBLY, LTL SEMI

## 700N378



VALVE:

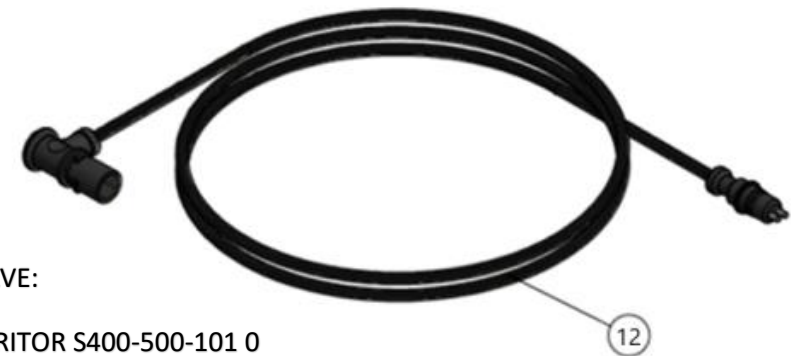
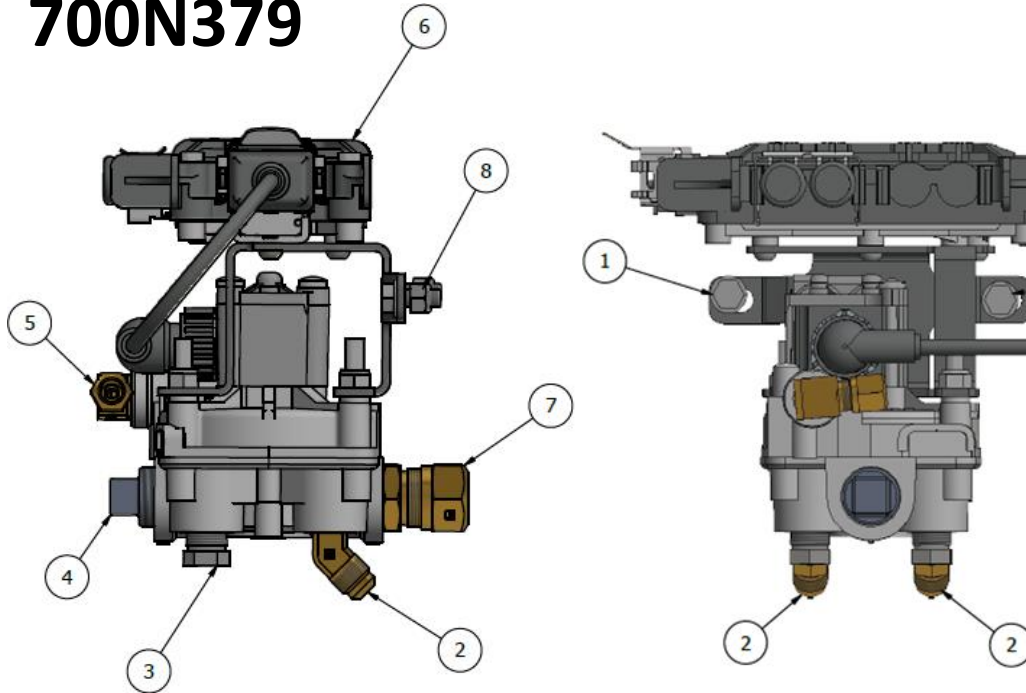
SEALCO 2550



PARTS LIST			
ITEM	QTY	PART NUMBER	DESCRIPTION
	1	700N378	AIR FILTER ASSEMBLY
1	1	7000110	VALVE, FILTER LINE-AIR BRAKE
2	2	6000345	BOLT, 5/16"- 18 x 2"
3	1	7000141	FITTING, MALE CONNECTOR
4	1	7045008	FITTING, ELBOW 90 DEGREE

# ABS VALVE ASSEMBLY, LTL SEMI

## 700N379

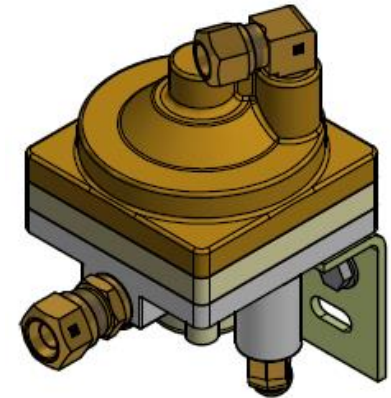
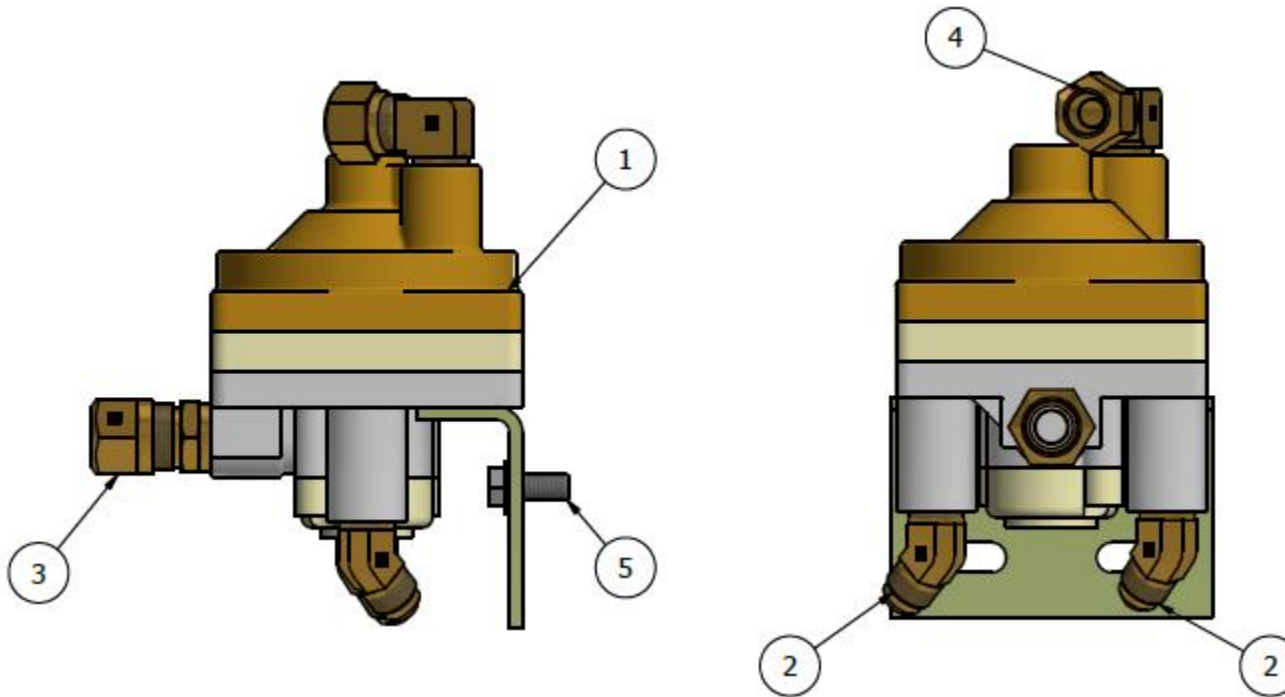


PARTS LIST			
ITEM	QTY	PART NUMBER	DESCRIPTION
1	2	6000312	BOLT, 5/16"-18 x 3/4" TRILOBULAR SELF TAPPING
2	2	7000216	MALE ELBOW FITTING, 45 DEG 159F-6-6
3	2	7000851	PIPE PLUG, 3/8"
4	1	7000856	PIPE PLUG, 3/4" NPT
5	1	7045009	FITTING, 90 DEG ELBOW 269NTA-6-6
6	1	7001229	VALVE, ABS- WABCO 25/1M
7	1	7000217	FITTING, MALE CONNECTOR
8	2	6100316	NUT, 5/16-18 LOCK
9	2	7001224	ABS, SENSOR CLIP - MERITOR
10	2	7001218	SPEED SENSOR, MERITOR - WITH MOLDED
11	1	7001230	ABS, POWER CABLE - MERITOR 20'
12	2	7001223	ABS, SENSOR WIRE- 72" MERITOR

VALVE:  
MERITOR S400-500-101 0

# RELAY VALVE ASSEMBLY, LTL SEMI

## 700N380



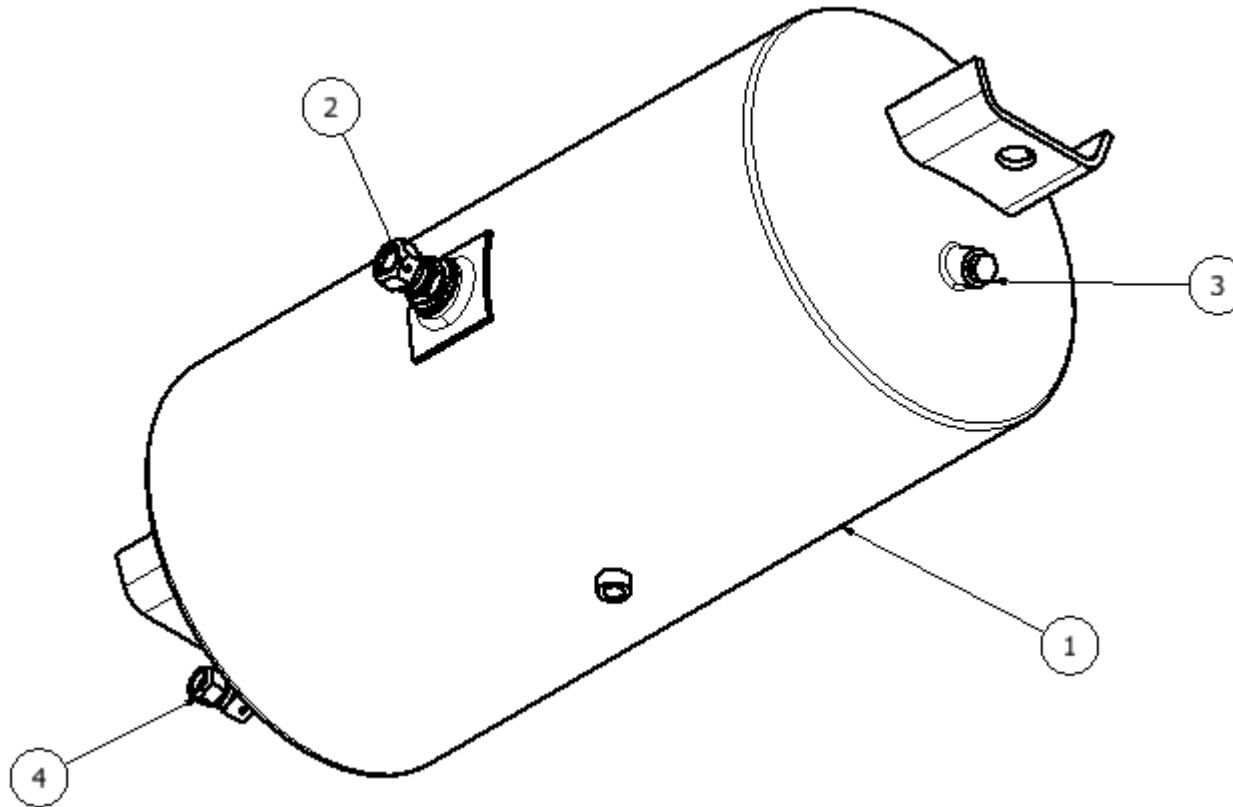
VALVE:

SEALCO 110412

PARTS LIST			
ITEM	QTY	PART NUMBER	DESCRIPTION
	1	700N380	RELAY VALVE ASSEMBLY
1	1	7001247	VALVE, SERVICE RELAY
2	2	7000216	FITTING, MALE ELBOW 45 DEGREE
3	1	7000218	FITTING, MALE CONNECTOR
4	1	7045009	FITTING, ELBOW 90 DEGREE
5	2	6000312	BOLT, 5/16"-18 x 3/4"

# AIR TANK ASSEMBLY, LTL SEMI

## 700N375

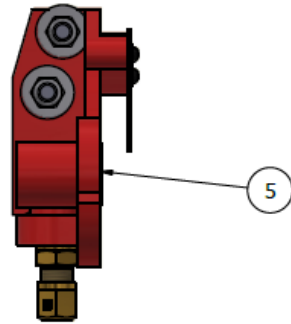
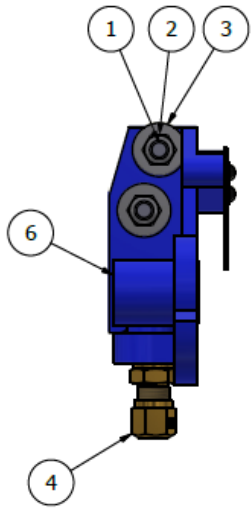


PARTS LIST			
ITEM	QTY	PART NUMBER	DESCRIPTION
1	1	7000102	AIR TANK, 12"
2	1	7000217	FITTING, MALE CONNECTOR 68NTA-10-12
3	1	7000851	PIPE PLUG, 3/8"
4	1	7045009	FITTING, ELBOW 90D 269NTA-8-6



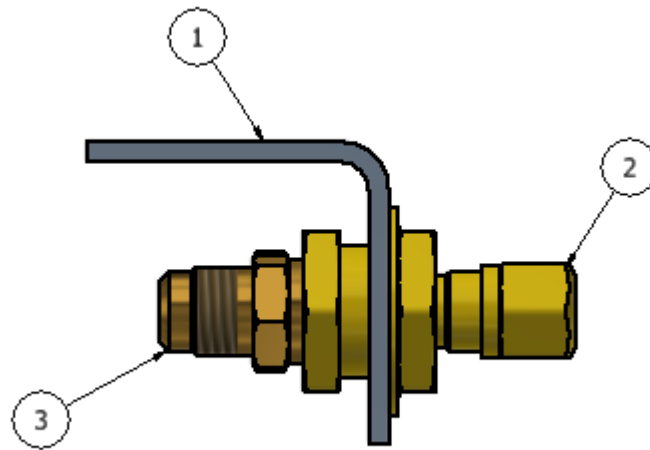
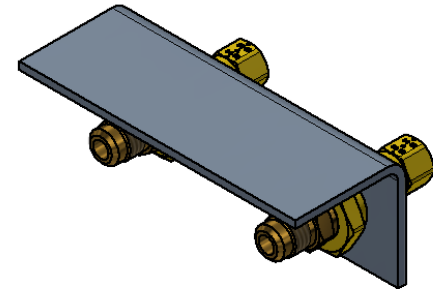
# GLADHAND ASSEMBLY-FRONT, SEMI

## 700N406



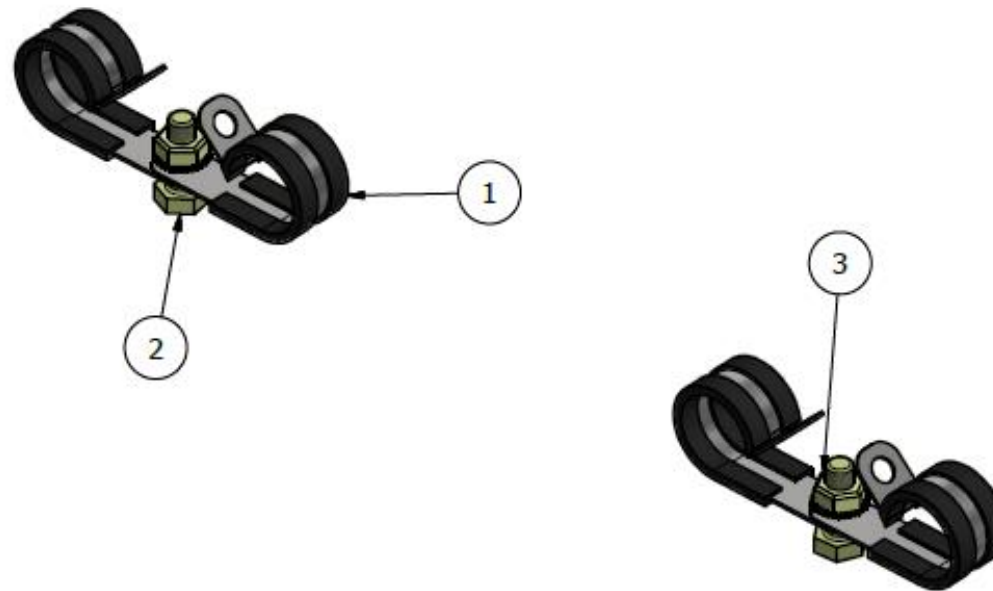
PARTS LIST				
ITEM	QTY	PART NUMBER	DESCRIPTION	
1	4	6000961	BOLT, 5/16-18 x 1 1/4" CARRIAGE, GRADE 5 PLATED	
2	4	6100316	NUT, 5/16-18 LOCK, NYLON	
3	4	6200312	WASHER, 5/16" ID x 7/8" OD	
4	2	7000141	FITTING, MALE 68NTA-6-6	
5	1	7001297	GLADHAND, 38D, EMERGENCY, CAST	
6	1	7001298	GLADHAND, 38D, CONTROL, CAST	

# BOGIE HOSE HANGER ASSEMBLY, LTL SEMI 700N253



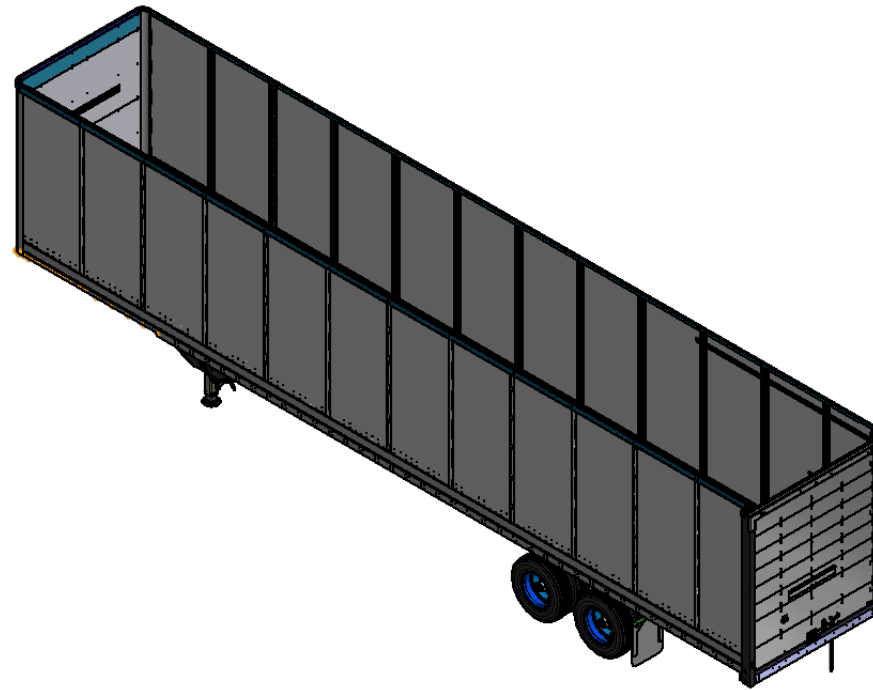
PARTS LIST			
ITEM	QTY	PART NUMBER	DESCRIPTION
1	1	2104521	ANGLE, SLIDER HOSE HANGER
2	2	7045035	FITTING, BULKHEAD CONNECTION
3	2	7000189	FITTING, MALE CONNECTOR

# AIR BRAKE HOSE, CLAMP, & FASTENER ASSEMBLY, LTL SEMI 700N520



PARTS LIST			
ITEM	QTY	PART NUMBER	DESCRIPTION
1	4	8000261	CLAMP, RUBBER CUSHION - 3/4"
2	2	6000275	BOLT 1/4" -20 x 3/4" GRADE 8 PLATED
3	2	6100256	NUT 1/4"-20 KEP STAINLESS

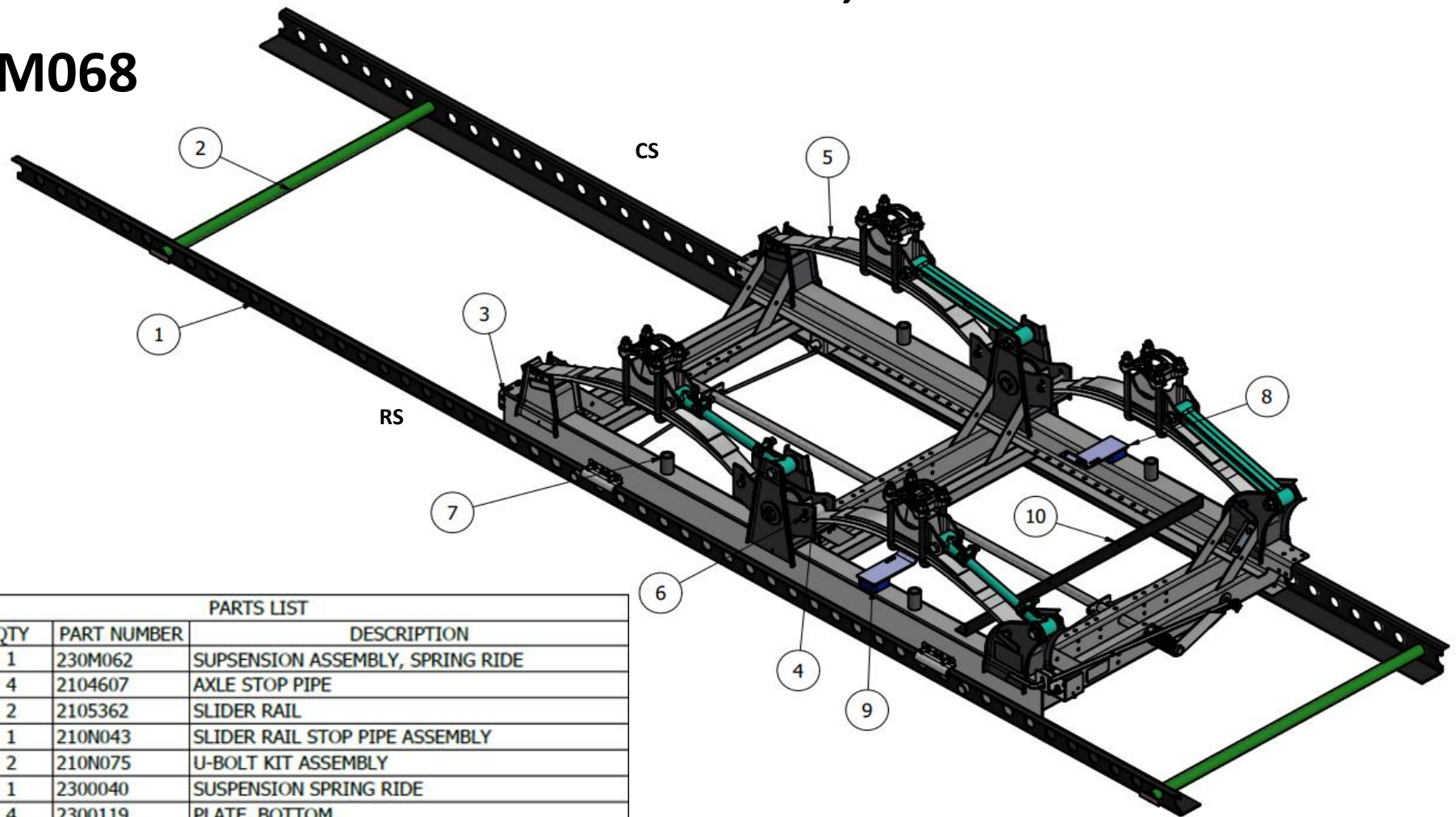
# LTL48NLOA-37



PARTS LIST			
ITEM	QTY	PART NUMBER	DESCRIPTION
1	2	220M252	AXLE ASSEMBLY, 5" ROUND, TP, OIL
2	1	230M068	SUSPENSION ASSEMBLY, SPRING
3	1	240M038	MUDFLAP ASSEMBLY, SEMI
4	2	240M282	WHEEL NUT ASSM, 33 MM GUARD
5	8	240N275	NEW WHEEL & TIRE ASSM, 295/76R22.5
6	1	310M050	UPPER COUPLER ASSEMBLY
7	1	330M052	BOGIE SUB-FRAME
8	1	340M194	FLOOR ASSEMBLY, 48'
9	1	350M041	LANDING LEG ASSEMBLY
10	1	410M127	FORWARD WALL ASSEMBLY - SEMI
11	1	421N074	C/S SIDEWALL ASSEMBLY
12	1	420N917	ANCRA HORIZONTAL TIE-DOWN
13	1	422N074	R/S SIDEWALL ASSEMBLY
14	1	500M113	DOOR ASSY, TODCO, TUK-A-WAY

# SUSPENSION ASSEMBLY-SPRING RIDE, SEMI

## 230M068



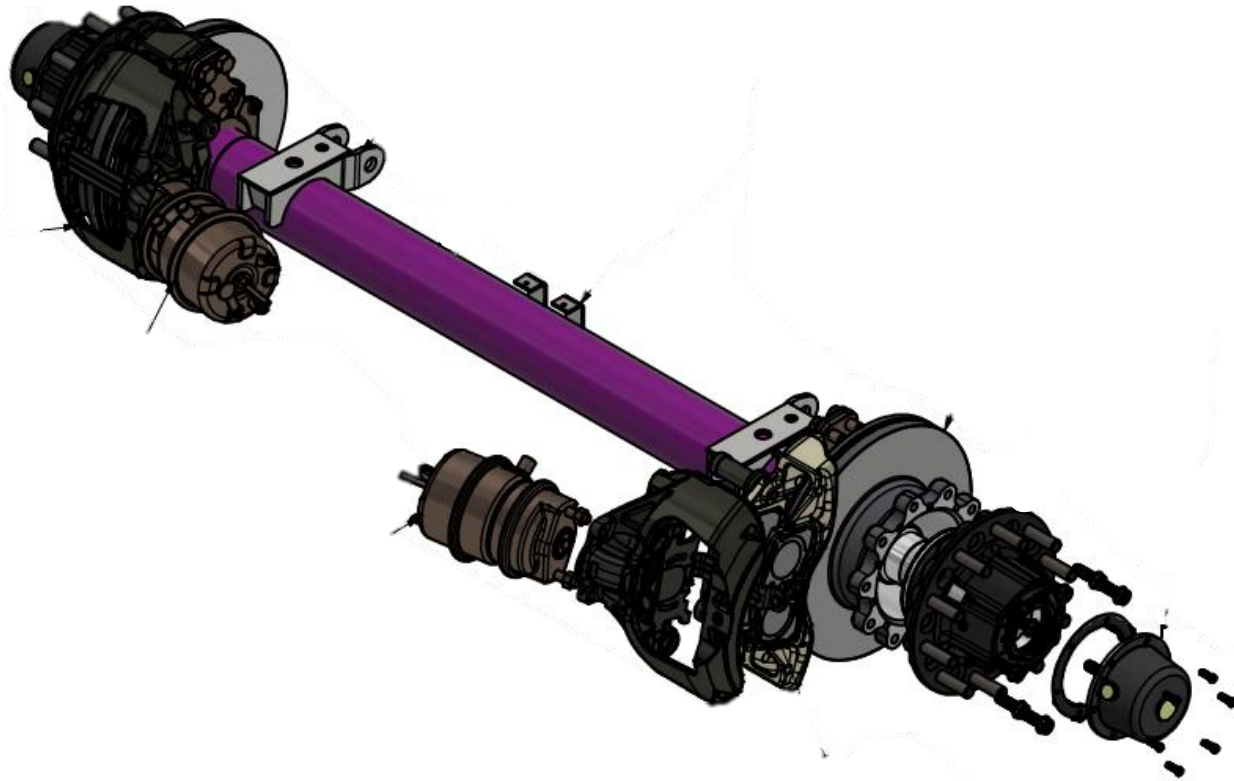
PARTS LIST			
ITEM	QTY	PART NUMBER	DESCRIPTION
	1	230M062	SUPSENSATION ASSEMBLY, SPRING RIDE
1	4	2104607	AXLE STOP PIPE
2	2	2105362	SLIDER RAIL
3	1	210N043	SLIDER RAIL STOP PIPE ASSEMBLY
4	2	210N075	U-BOLT KIT ASSEMBLY
6	1	2300040	SUSPENSION SPRING RIDE
7	4	2300119	PLATE, BOTTOM
8	4	2300120	AXLE SEAT
9	4	2300159	SPRING, 3 LEAF HIGH ARCH
10	4	2300165	PLATE, TOP
11	4	600N005	KIT, SPRING HANGER FASTENERS
12	2	2300107	TORQUE ARM, NON-ADJUSTABLE
13	1	2104555	ANGLE, AIR PLATE MOUNTING
14	2	2204501	AIR TANK, MOUNTING BRACKET
15	4	2100027	GUSSET, SLIDER RAIL SUPPORT
16	2	2300151	TORQUE ARM, ADJUSTABLE

**\*INVERTED TO SHOW SUSPENSION PARTS IN DETAIL**

Go to [Hutchens Industries](http://Hutchens Industries) for Hutchens Parts  
(Model # Series 10 with EZ Pull)

# AXLE AND WHEEL ASSEMBLY, DISC BRAKES W/ OIL

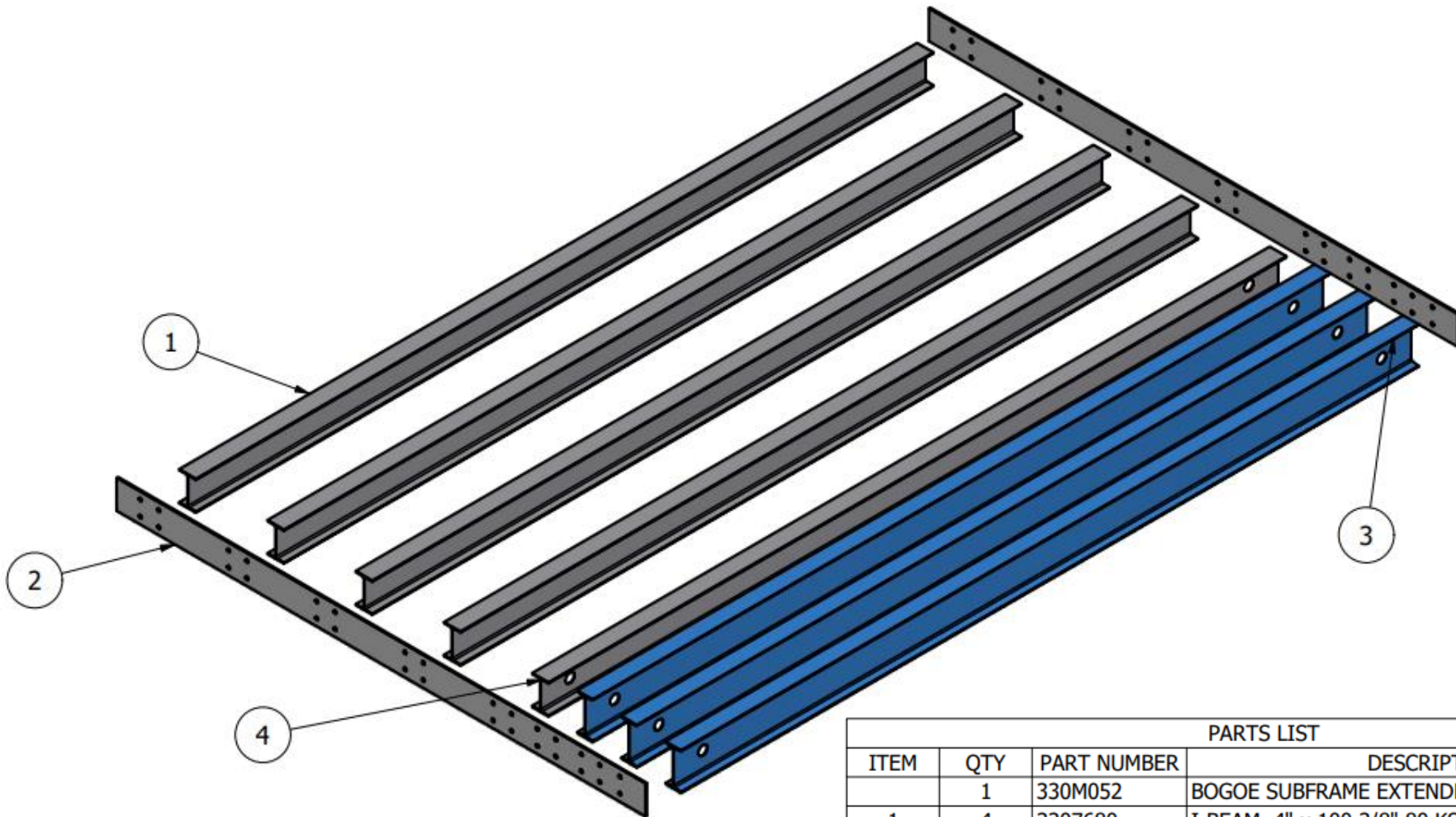
220M252





# BOGIE SUBFRAME EXTENDED SIDEPLATE ASSEMBLY

## 330M052

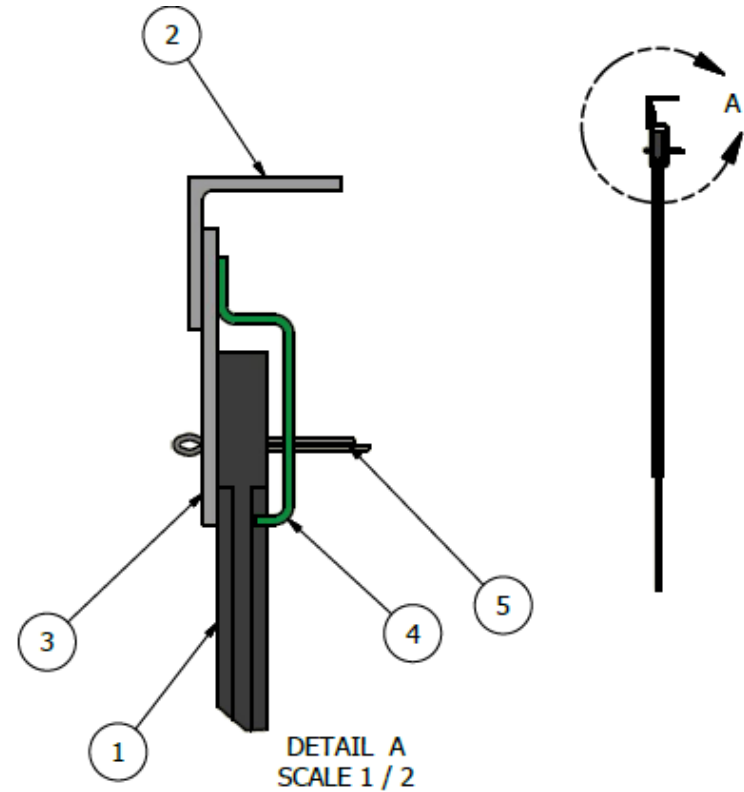
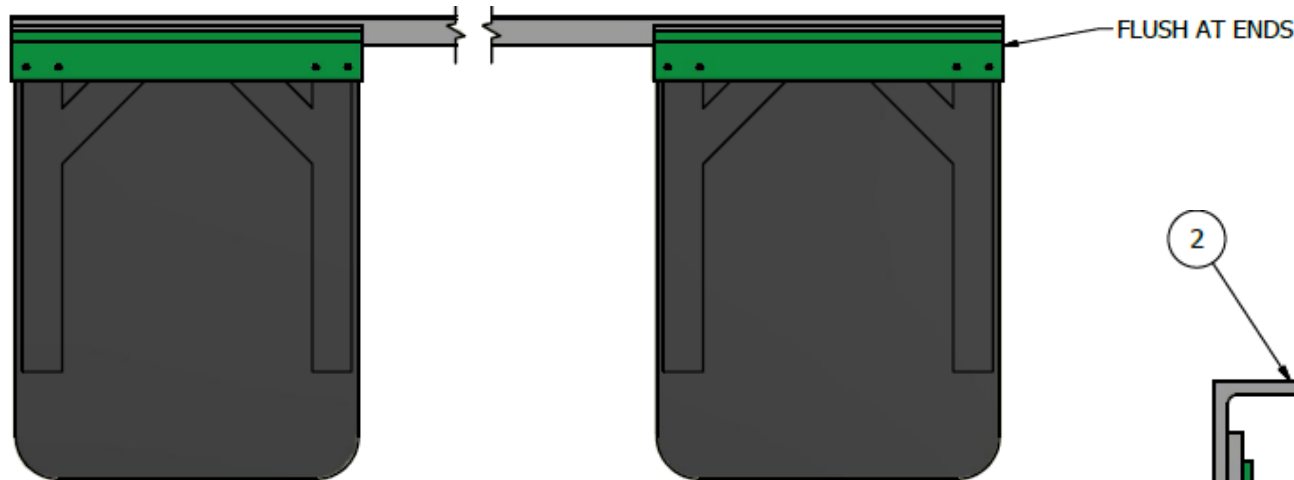


PARTS LIST			
ITEM	QTY	PART NUMBER	DESCRIPTION
	1	330M052	BOGIE SUBFRAME EXTENDED SIDEPLATE ASSY
1	4	3307680	I-BEAM, 4" x 100 3/8" 80 KSI
2	2	3300035	BOGIE SUB-FRAME SIDE PLATE
3	3	3307684	I-BEAM, 5" x 100 3/8", 80 KSI
4	1	3307683	I-BEAM, 4" x 100 3/8" 80 KSI



# MUDFLAP ASSEMBLY, SEMI

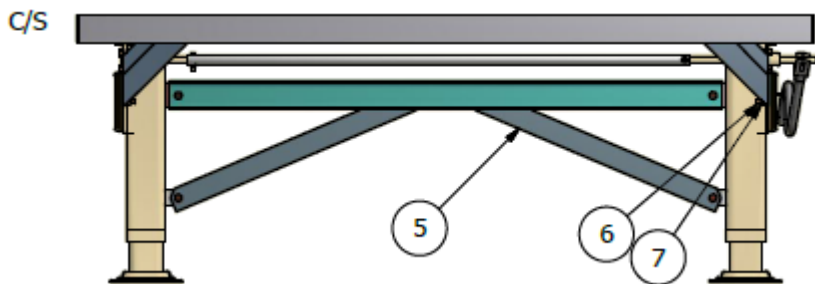
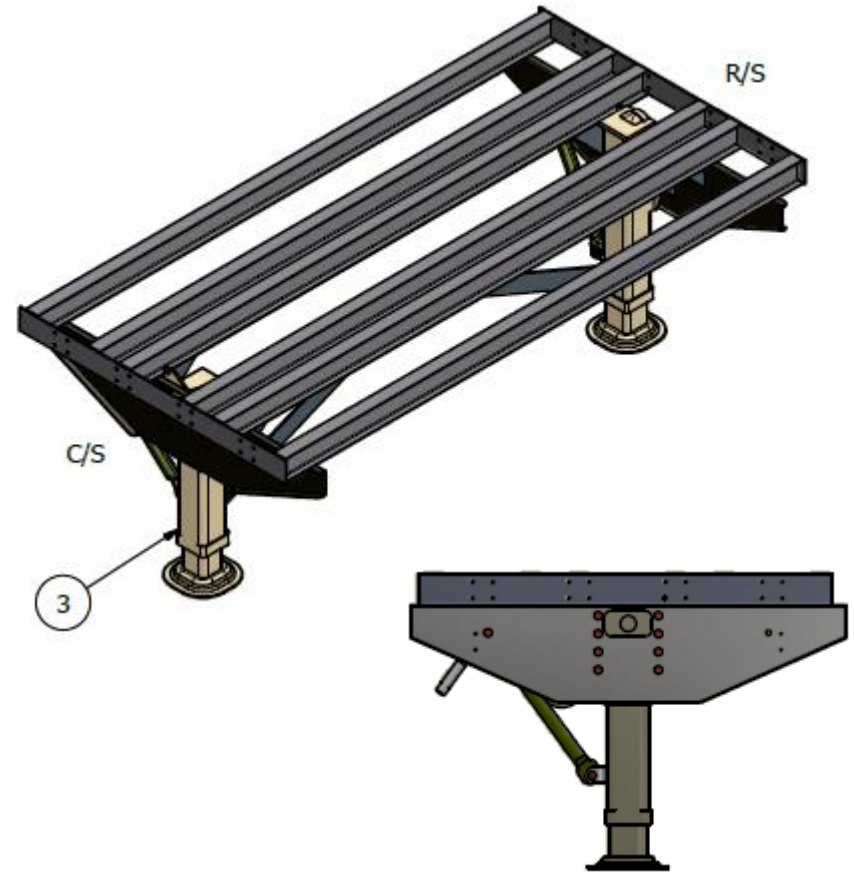
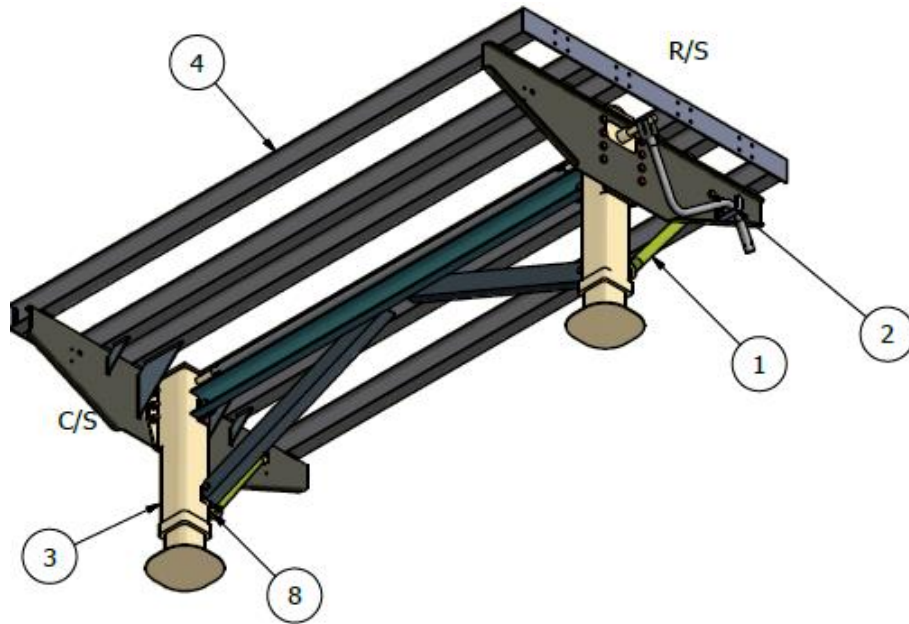
## 240M038



PARTS LIST			
ITEM	QTY	PART NUMBER	DESCRIPTION
1	2	2400242	MUDFLAP, QUICK-CHANGE
2	1	2400250	ANGLE, MUDFLAP MOUNT, SEMI
3	2	2400251	PLATE, MUDFLAP MOUNTING
4	2	2400272	MUDFLAP BRACKET, QUICK-CHANGE
5	4	6400403	COTTER PIN, 5/32" x 2"

# LANDING LEG ASSEMBLY

## 350M041



R/S

PARTS LIST			
ITEM	QTY	PART NUMBER	DESCRIPTION
1	2	3507232	REAR L.L. STRUT
2	1	350N045	CRANK HANDLE HOLDER
3	1	350N046	LANDING LEG ASSEMBLY
4	1	350N047	LANDING LEG SKIRT ASSEMBLY
5	1	350N049 -G	K-BRACE ASSEMBLY
6	24	6000627	BOLT, 5/8-18 x 1 3/4
7	24	6100626	NUT, 5/8-18 PINCH LOCK GRADE 5 PLATED
8	4	6200626	WASHER, 5/8 FLAT USS PLATED

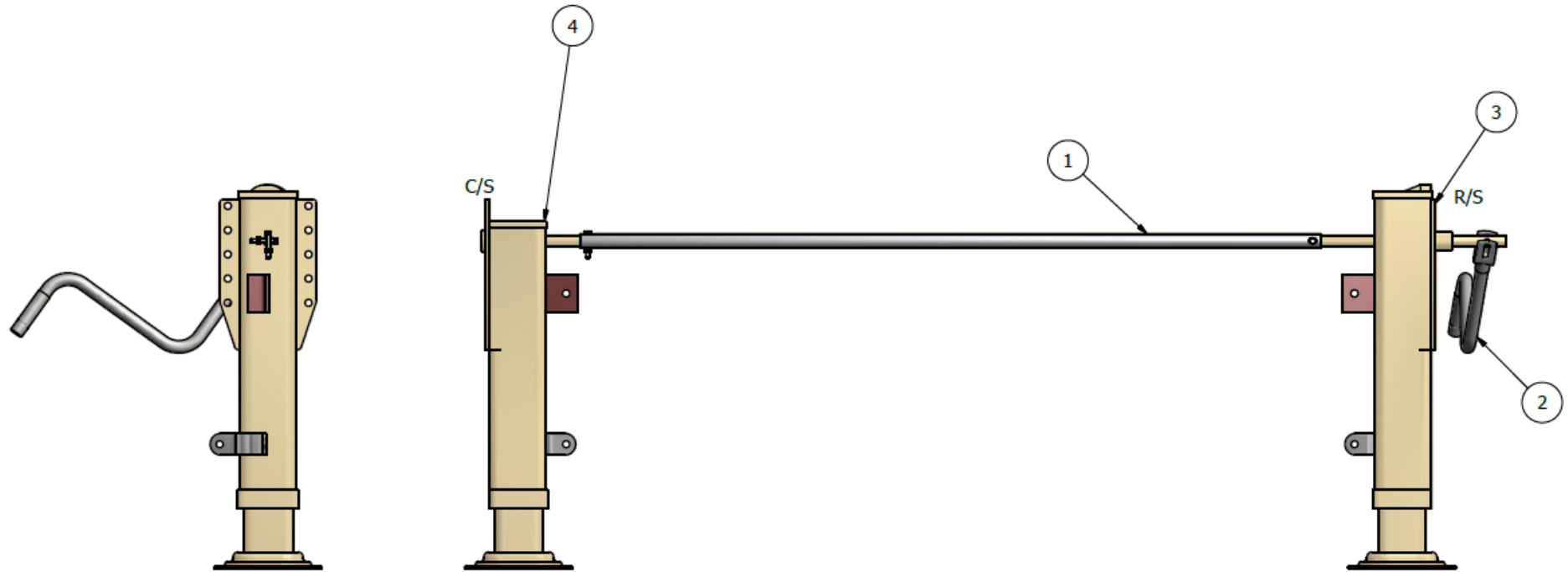
# CRANK HANDLE HOLDER ASSEMBLY

## 350N045

PARTS LIST			
ITEM	QTY	PART NUMBER	DESCRIPTION
1	1	3500559 -G	HOLDER, CRANK HANDLE
2	2	6000275	BOLT, 1/4 - 20 x 3/4" GRADE 8 PLATED
3	2	6100258	NUT, 1/4 - 20 LOCK
4	2	6200252	WASHER, 1/4" SAE FLAT PLATED

# LANDING LEG ASSEMBLY

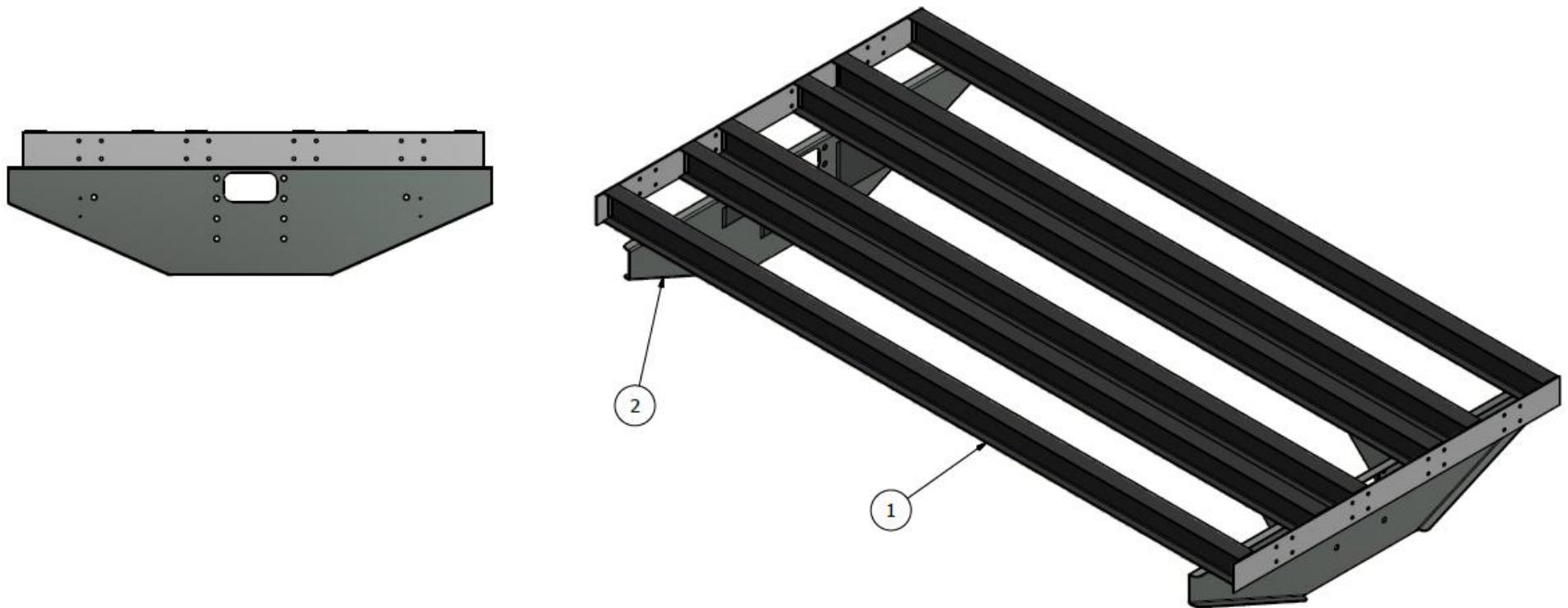
## 350N046



PARTS LIST			
ITEM	QTY	PART NUMBER	DESCRIPTION
1	1	3500140	CROSS SHAFT, LANDING LEG, 68.75"
2	1	3500148	LANDING LEG CRANK HANDLE
3	1	3500564	MASTER LANDING LEG, INBOARD
4	1	3500565	SLAVE LANDING LEG, INBOARD

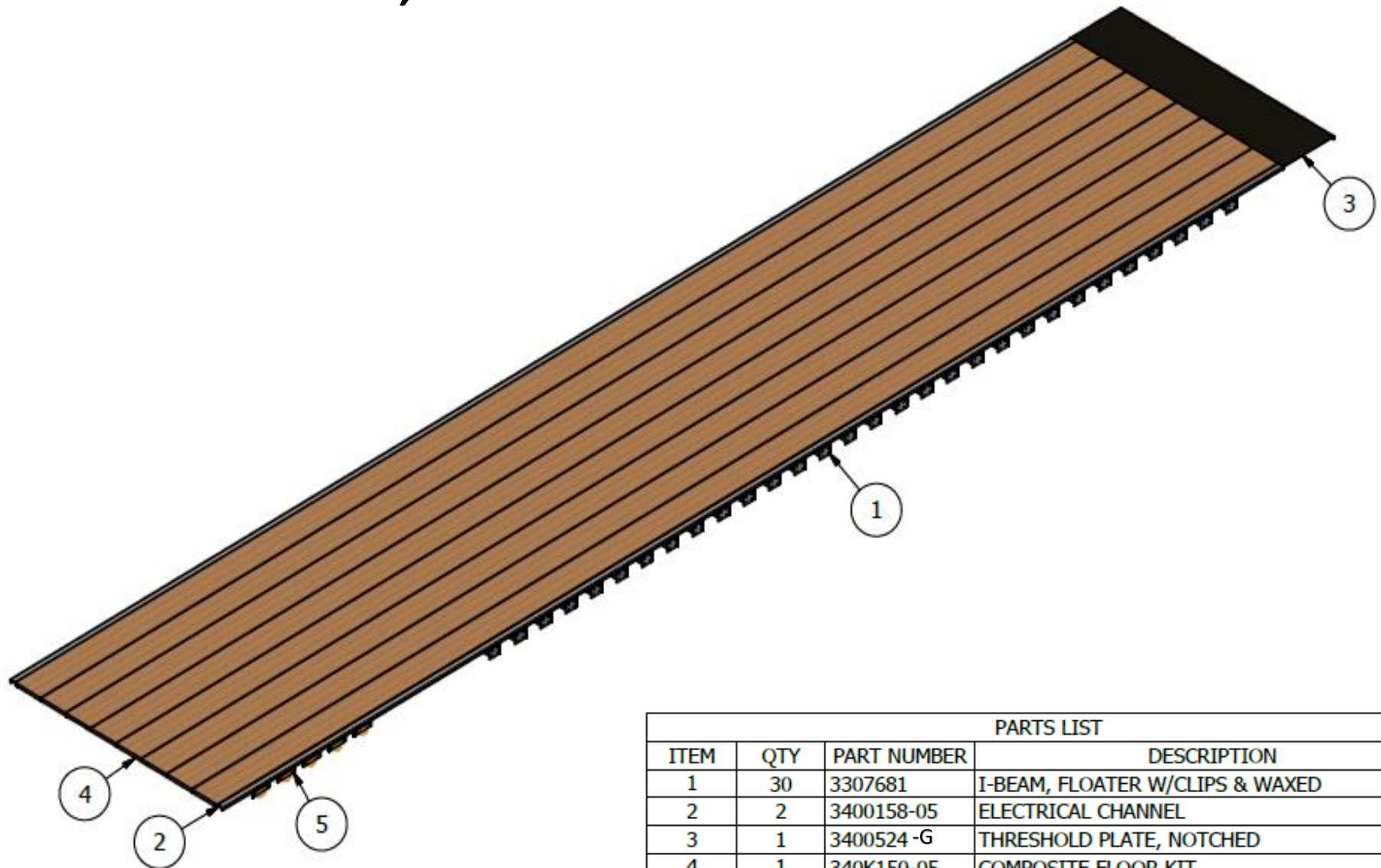
# LANDING LEG SKIRT ASSEMBLY

## 350N047



PARTS LIST			
ITEM	QTY	PART NUMBER	DESCRIPTION
1	1	320N041	L.L. CROSS MEMBER ASSEMBLY
2	2	350N048 -G	L.L. SKIRT SUB-ASSEMBLY

# FLOOR ASSEMBLY, 48'

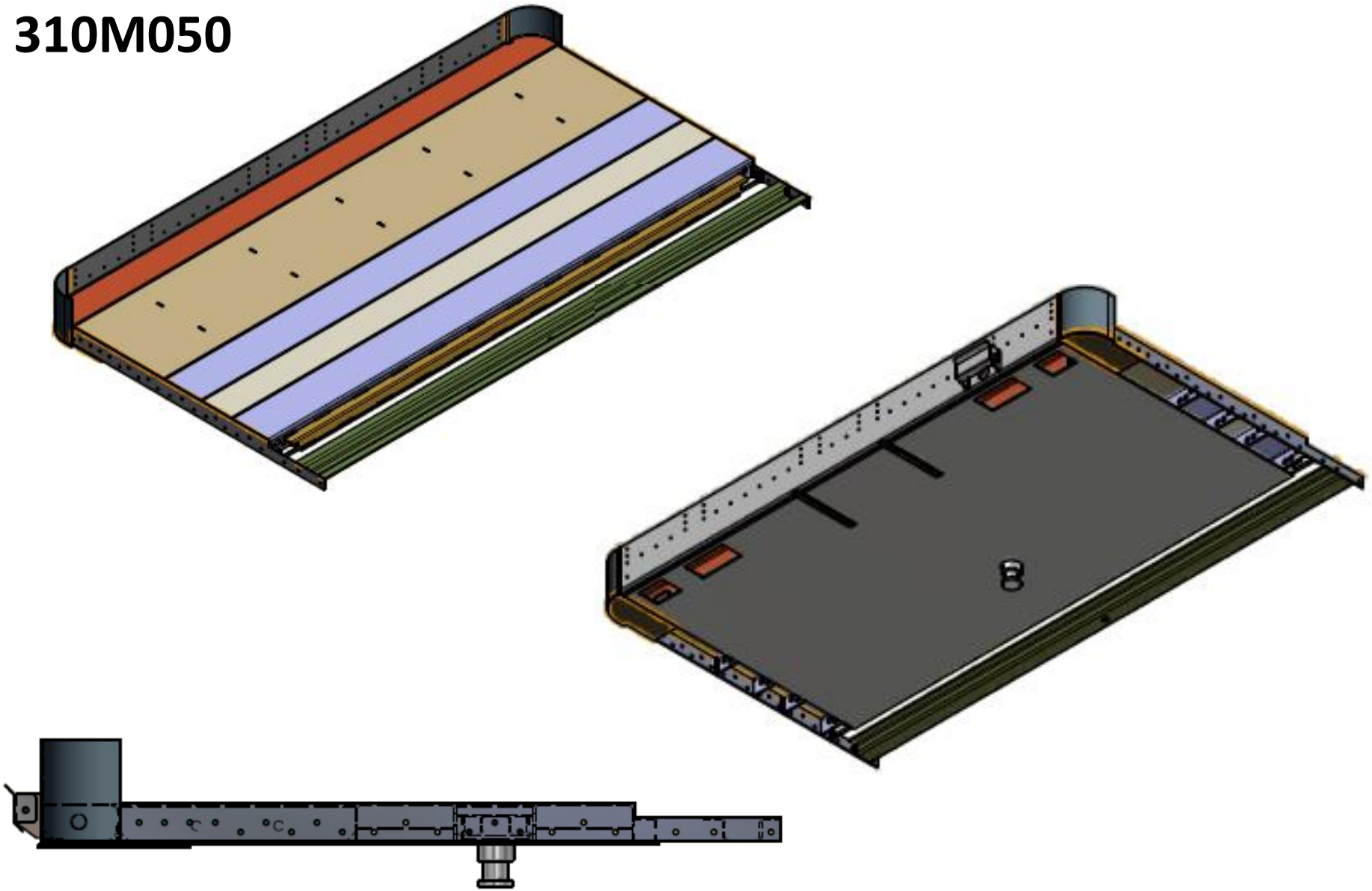


PARTS LIST			
ITEM	QTY	PART NUMBER	DESCRIPTION
1	30	3307681	I-BEAM, FLOATER W/CLIPS & WAXED
2	2	3400158-05	ELECTRICAL CHANNEL
3	1	3400524 -G	THRESHOLD PLATE, NOTCHED
4	1	340K150-05	COMPOSITE FLOOR KIT
5	5	340N217	FLOOR HAT SECTION ASSEMBLY
6	720	6400213	FLOOR SCREW, 5/16-18 x 2" FLAT TORX HEAD
7	0.6 GL	7500615	WAX UNDERCOAT, BLACK



# UPPER COUPLER ASSEMBLY, SEMI

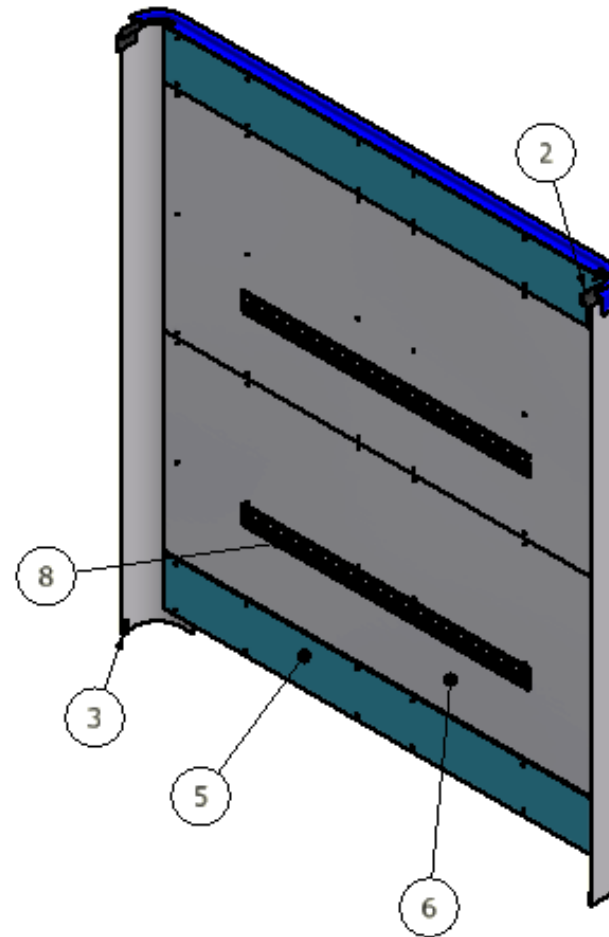
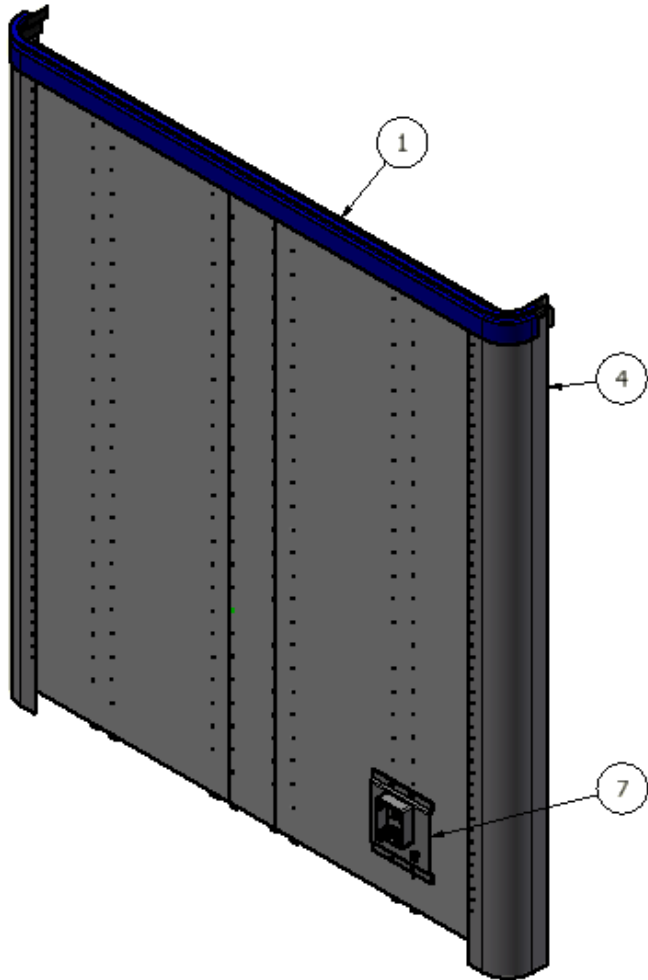
310M050





# FORWARD WALL ASSEMBLY, 48' & 53'

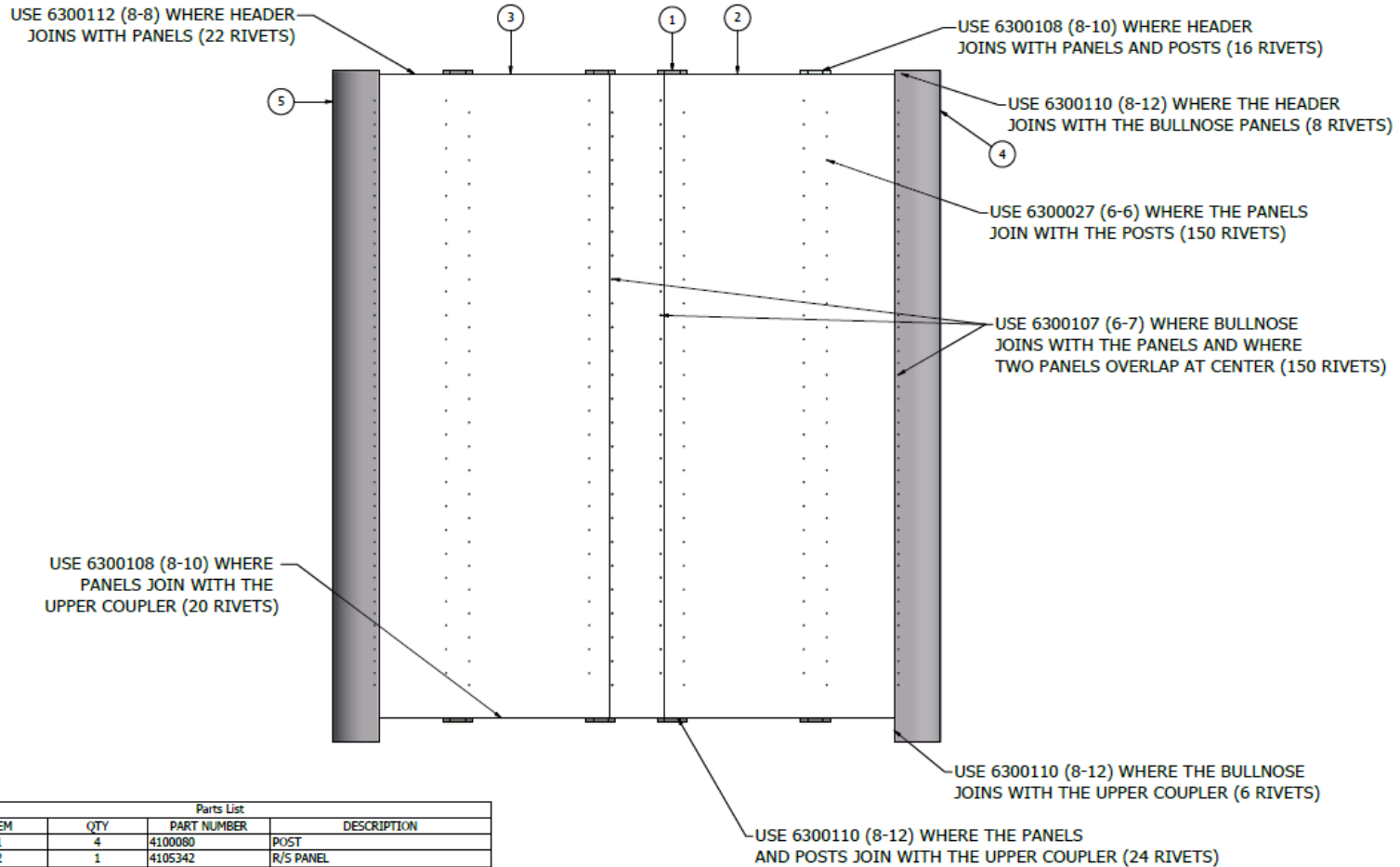
## 410M127



PARTS LIST			
ITEM	QTY	PART NUMBER	DESCRIPTION
1	1	4100129	FWD WALL HEADER
2	2	4100407	UPPER RAIL SUPPORT
3	2	4100430	BULLNOSE SHIM
4	1	410N117	PANEL ASSEMBLY
5	1	410N144	FORWARD WALL SCUFF LINER
6	1	410N147	FWD WALL LINER - SEMI
7	1	410N149	AIR KIT PLATE ASSEMBLY
8	1	410N151	HORIZONTAL TRACK ASSEMBLY

# PANEL ASSEMBLY

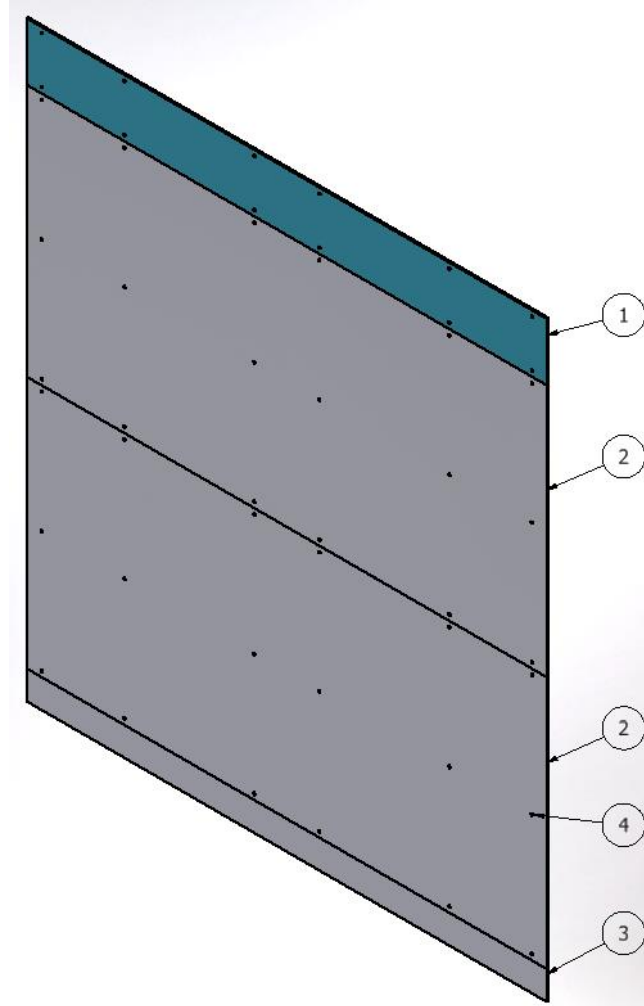
## 410N117



Parts List			
ITEM	QTY	PART NUMBER	DESCRIPTION
1	4	4100080	POST
2	1	4105342	R/S PANEL
3	1	4105343	C/S PANEL
4	1	4105344	R/S BULLNOSE EXTRUSION
5	1	4105345	C/S BULLNOSE EXTRUSION
6	2	6000363	BOLT, 3/8"-16 x 1 1/4"
7	2	6000364	BOLT, 3/8"-16 x 1 3/4"
8	4	6100377	NUT, 3/8"-16
9	0.290 lb	6300027	RIVET, SOLID - AN455AD 6-6
10	0.313 lb	6300107	RIVET, SOLID - AN455AD 6-7
11	0.185 lb	6300108	RIVET, SOLID - AN455AD 8-10
12	0.219 lb	6300110	RIVET, SOLID - AN455AD 8-12
13	0.099 lb	6300112	RIVET, SOLID - AN455AD 8-8

# FORWARD WALL LINER ASSEMBLY, 48' & 53'

410N147

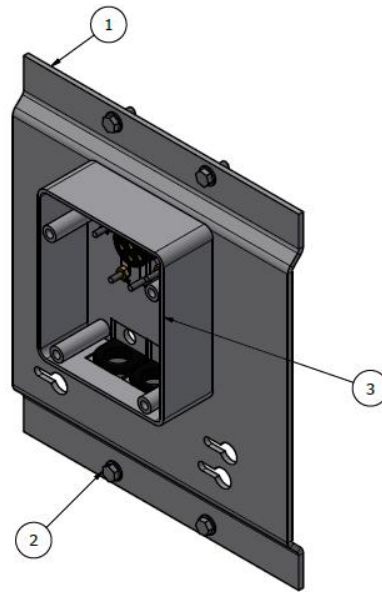


ITEM	QTY	PART NUMBER	DESCRIPTION
1	1	4100064	FORWARD WALL KICK PLATE
2	2	4100065	FORWARD WALL LINER
3	1	4100069	FORWARD WALL LINER, TOP, SEMI
4	48	6400207	SCREW, 1/4-20 x 1" TORX HEAD, COUNTERSUNK

# AIR KIT PLATE ASSEMBLY

## 410N149

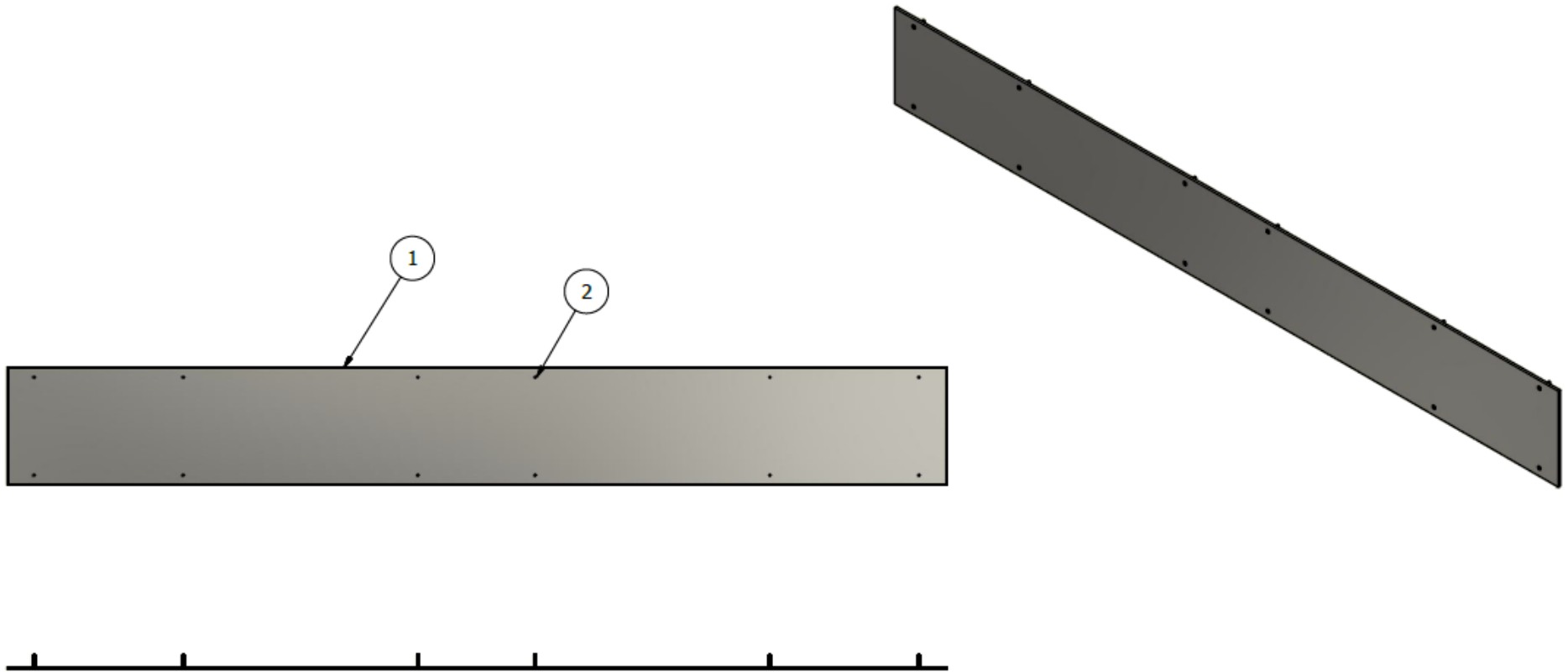
### FOR FIXED GLADHANDS



PARTS LIST				
ITEM	QTY	PART NUMBER	DESCRIPTION	
1	1	4100700	AIR KIT PLATE	
2	4	6000312	5/16"-18 x 3/4" ROLOC SELF TAPPING SCREW	
3	1	8000943	7-WAY SMART BOX (PART OF 800N344)	

# FORWARD WALL SCUFF LINER

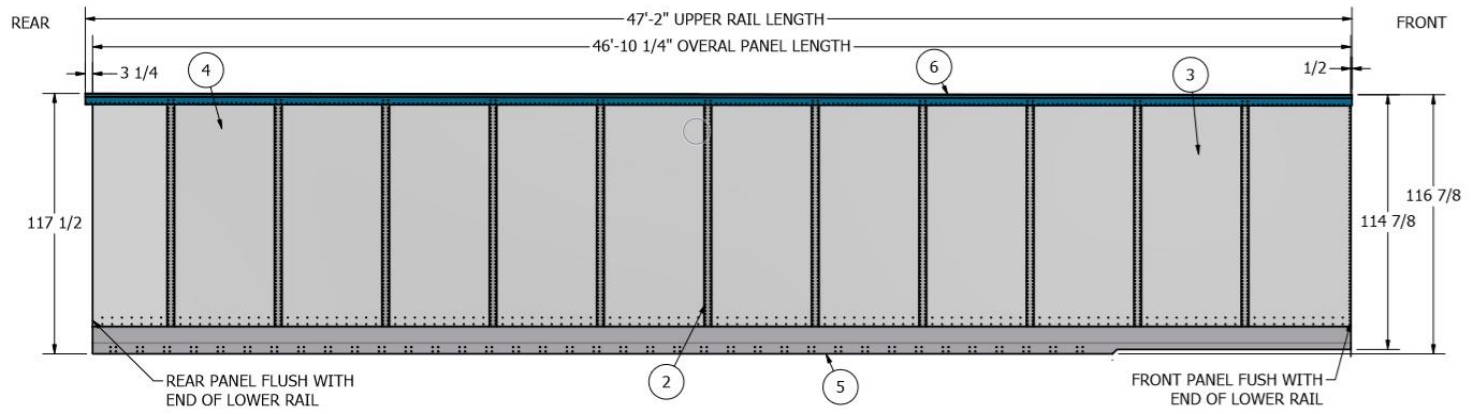
## 410N144



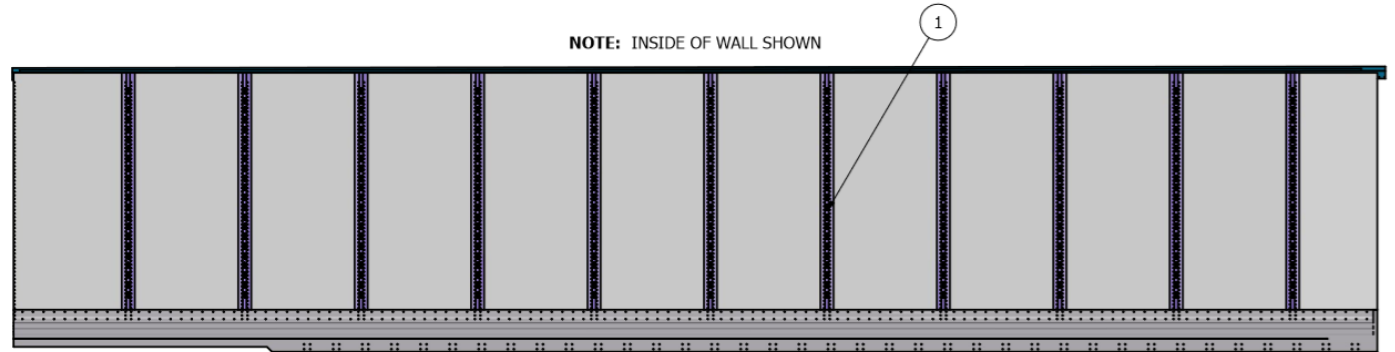
PARTS LIST			
ITEM	QTY	PART NUMBER	DESCRIPTION
1	1	4100064	FORWARD WALL KICK PLATE
2	12	6400214	SCREW, 1/4-20 x 1 1/2" FLOOR TORX HEAD

# C/S SIDEWALL ASSEMBLY, 48' NATURAL INNER SURFACE

## 421N074



NOTE: INSIDE OF WALL SHOWN

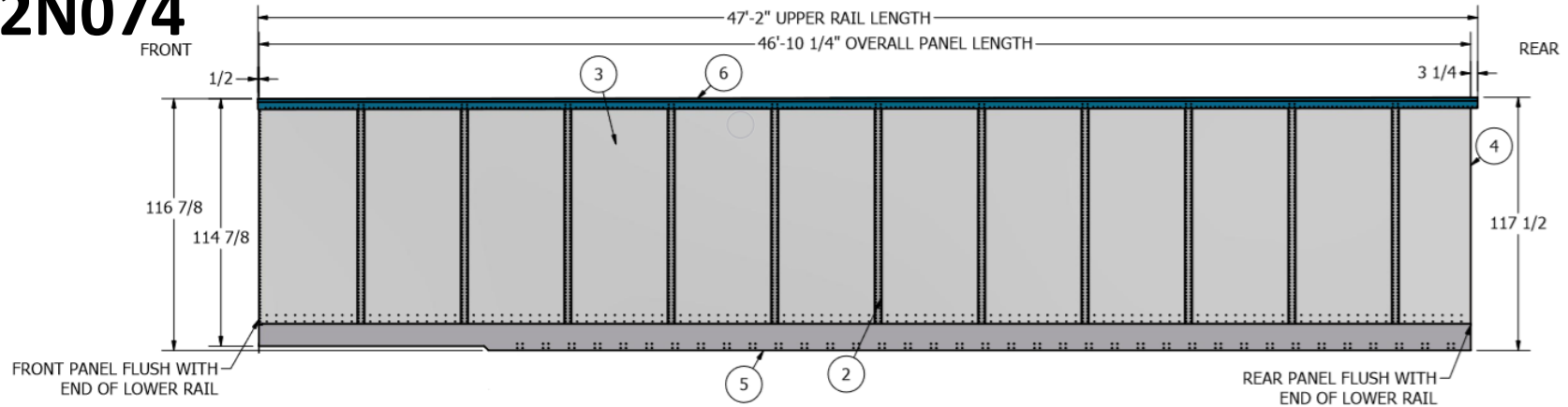


PARTS LIST			
ITEM	QTY	PART NUMBER	DESCRIPTION
1	11	4201116	LOGISTIC SIDEWALL POST
2	11	4201118	OUTER STRIP, PUNCHED
3	11	4201186	COMPOSITE SIDEWALL PANEL
4	1	4201188	REAR SIDEWALL PANEL
5	1	4202020	LOWER RAIL, C/S
6	1	4203020	48' UPPER RAIL - C/S
7	165	6000352	PIN, HUCK C6LB-R12-6GA ZINC
8	18	6000363	BOLT, 3/8-16 x 1-1/4 TORX
9	165	6100352	COLLAR, HUCK - GALVANIZED
10	18	6100377	NUT, 3/8-16 NYLOK PLATED
11	0.35 lb	6300097	RIVET, SOLID - AN455AD 8-16
12	0.04 lb	6300098	RIVET, SOLID - AN455AD 8-18
13	7.11 lb	6300108	RIVET, SOLID - AN455AD 8-10
14	2.07 lb	6300110	RIVET, SOLID - AN455AD 8-12
15	1.96 lb	6300129	RIVET, SOLID - AN455AD 8-14

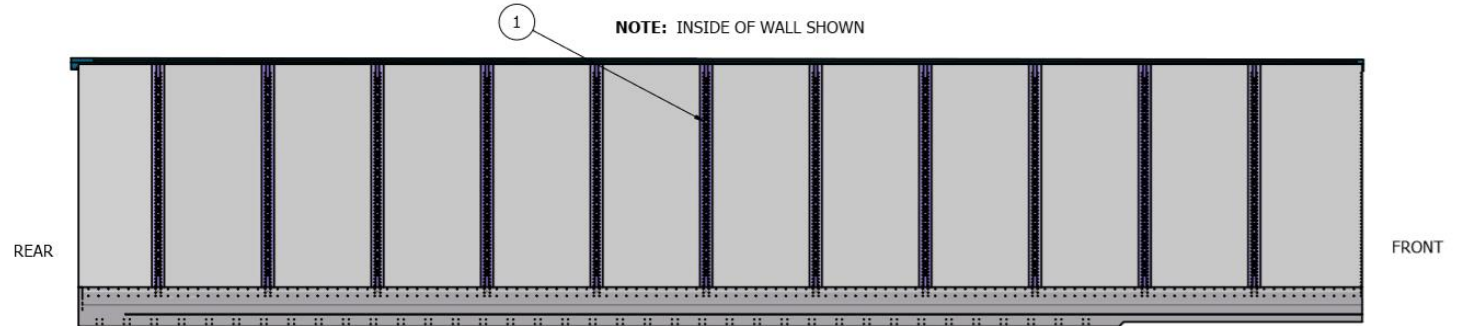
# R/S SIDEWALL ASSEMBLY, 48' NATURAL INNER SURFACE

## 422N074

NOTE: OUTSIDE OF WALL SHOWN



NOTE: INSIDE OF WALL SHOWN

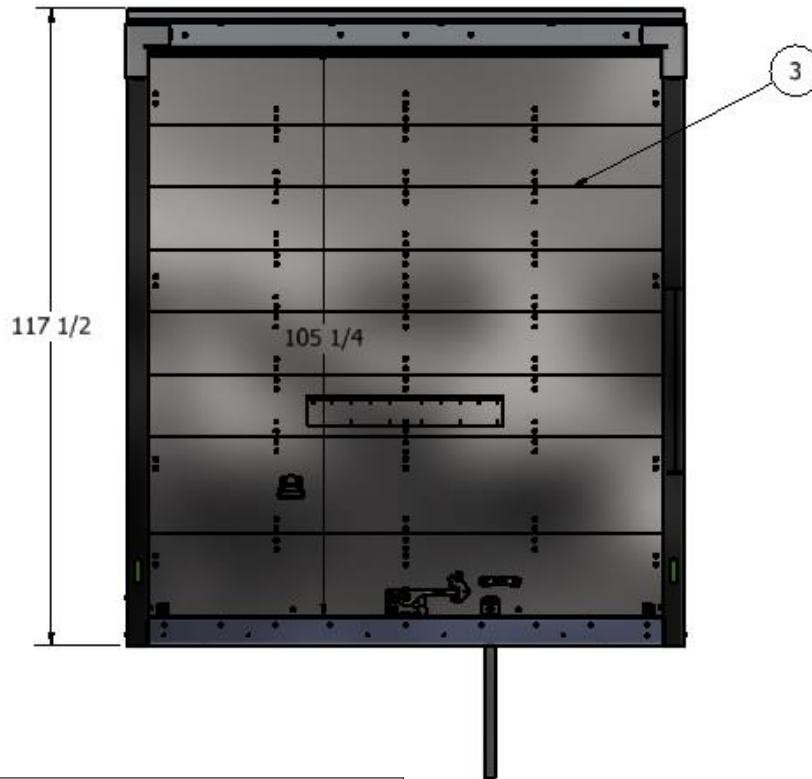


PARTS LIST			
ITEM	QTY	PART NUMBER	DESCRIPTION
1	11	4201116	LOGISTIC SIDEWALL POST
2	11	4201118	OUTER STRIP, PUNCHED
3	11	4201186	COMPOSITE SIDEWALL PANEL
4	1	4201188	REAR SIDEWALL PANEL
5	1	4202019	LOWER RAIL, R/S
6	1	4203019	48' UPPER RAIL - R/S
7	165	6000352	PIN, HUCK C6LB-R12-6GA ZINC
8	18	6000363	BOLT, 3/8-16 x 1-1/4 TORX
9	165	6100352	COLLAR, HUCK - GALVANIZED
10	18	6100377	NUT, 3/8-16 NYLOK PLATED
11	0.35 lb	6300097	RIVET, SOLID - AN455AD 8-16
12	0.04 lb	6300098	RIVET, SOLID - AN455AD 8-18
13	7.11 lb	6300108	RIVET, SOLID - AN455AD 8-10
14	2.07 lb	6300110	RIVET, SOLID - AN455AD 8-12
15	1.96 lb	6300129	RIVET, SOLID - AN455AD 8-14



# ROLL UP DOOR ASSEMBLY

## 500M113

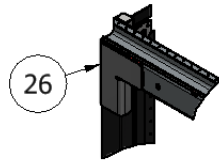


### PARTS LIST

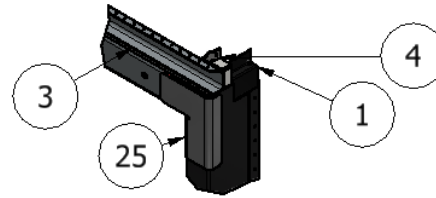
ITEM	QTY	PART NUMBER	DESCRIPTION
1	1	430M041 -G	DOOR FRAME ASSEMBLY
2	20	6300158	RIVET, POP - SSD86SSBS (1/4" D x 3/8" L)
3	1	4300649	DOOR, ROLL-UP, 3/8" COMPOSITE

# DOOR FRAME ASSEMBLY

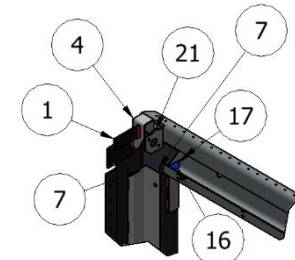
## 430M041-G



DETAIL B  
SCALE 1 / 20

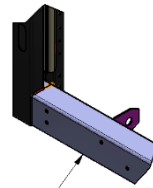
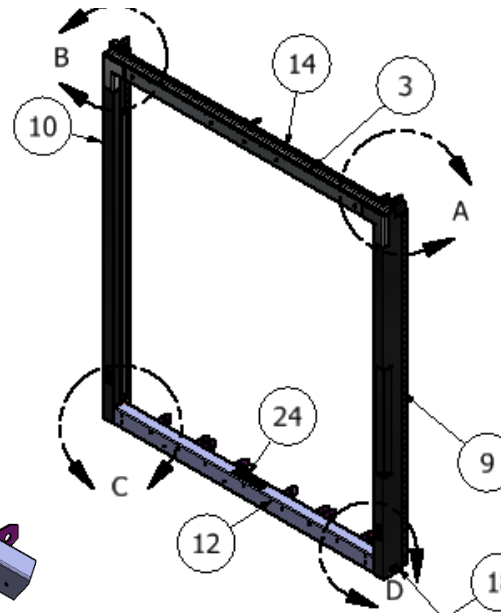


DETAIL A  
SCALE 1 / 20

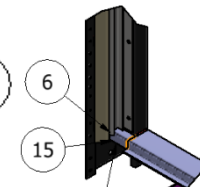
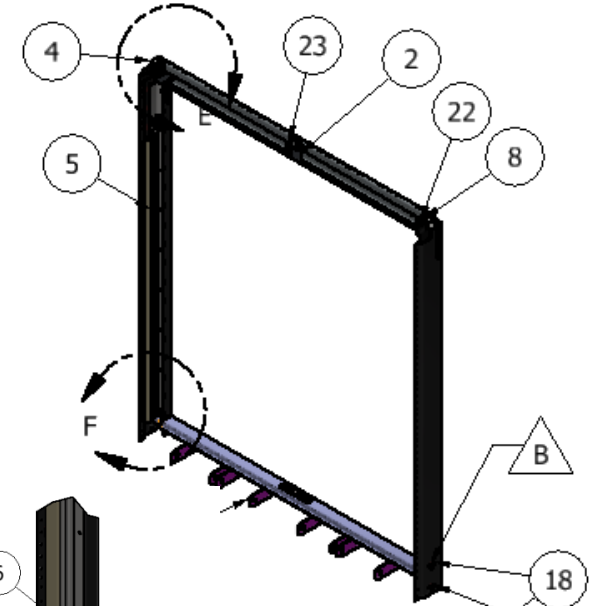


DETAIL E  
SCALE 1 / 16

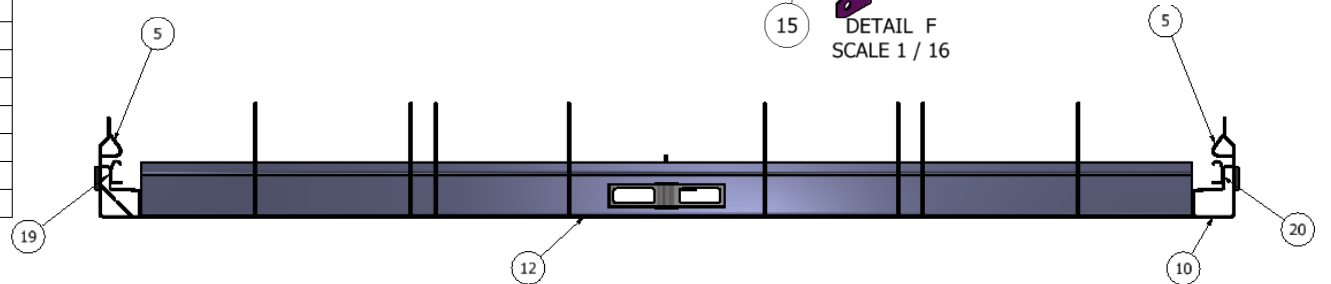
PARTS LIST			
ITEM	QTY	PART NUMBER	DESCRIPTION
1	2	4100407	SUPPORT, UPPER RAIL 53'
2	1	4300119	BRACKET, CENTER SPRING
3	1	4300206	ANGLE, RAIN GUTTER - CARBON
4	1	4300564	C/S DOOR FRAME GUSSET
5	2	4300582	DOOR TRACK GUARD
6	2	4300583	DOOR POST SPACER
7	2	4300584	FRONT CORNER GUSSET
8	1	4300590	R/S DOOR FRAME GUSSET
9	1	4300627-G	C/S DOOR POST
10	1	4300628-G	R/S DOOR POST
11	2	4300647	DOOR LATCH PLATE FILLER
12	1	4300654 -G	DOOR SILL, FORMED, LG
13	8	4300655	DOOR SILL GUSSET
14	1	4300979 -G	DOOR HEADER
15	2	4300993	GUSSET, DOOR SILL FILLER
16	2	4306229	HEADER HARNESS PROTECTOR
17	2	4306236	REAR CORNER GUSSET
18	3	43073312	LIGHT GUARD
19	1	50403.013368	C/S VERTICAL TRACK
20	1	50403.023368	R/S VERTICAL TRACK
21	1	59314.1000	C/S SPRING BRACKET
22	1	59314.2000	R/S SPRING BRACKET
23	1	59317	CENTER SPRING BRACKET
24	1	70339	TODCO DOOR LATCH PLATE
25	1	9000025	C/S DOOR FRAME BRACKET
26	1	9000026	R/S DOOR FRAME BRACKET



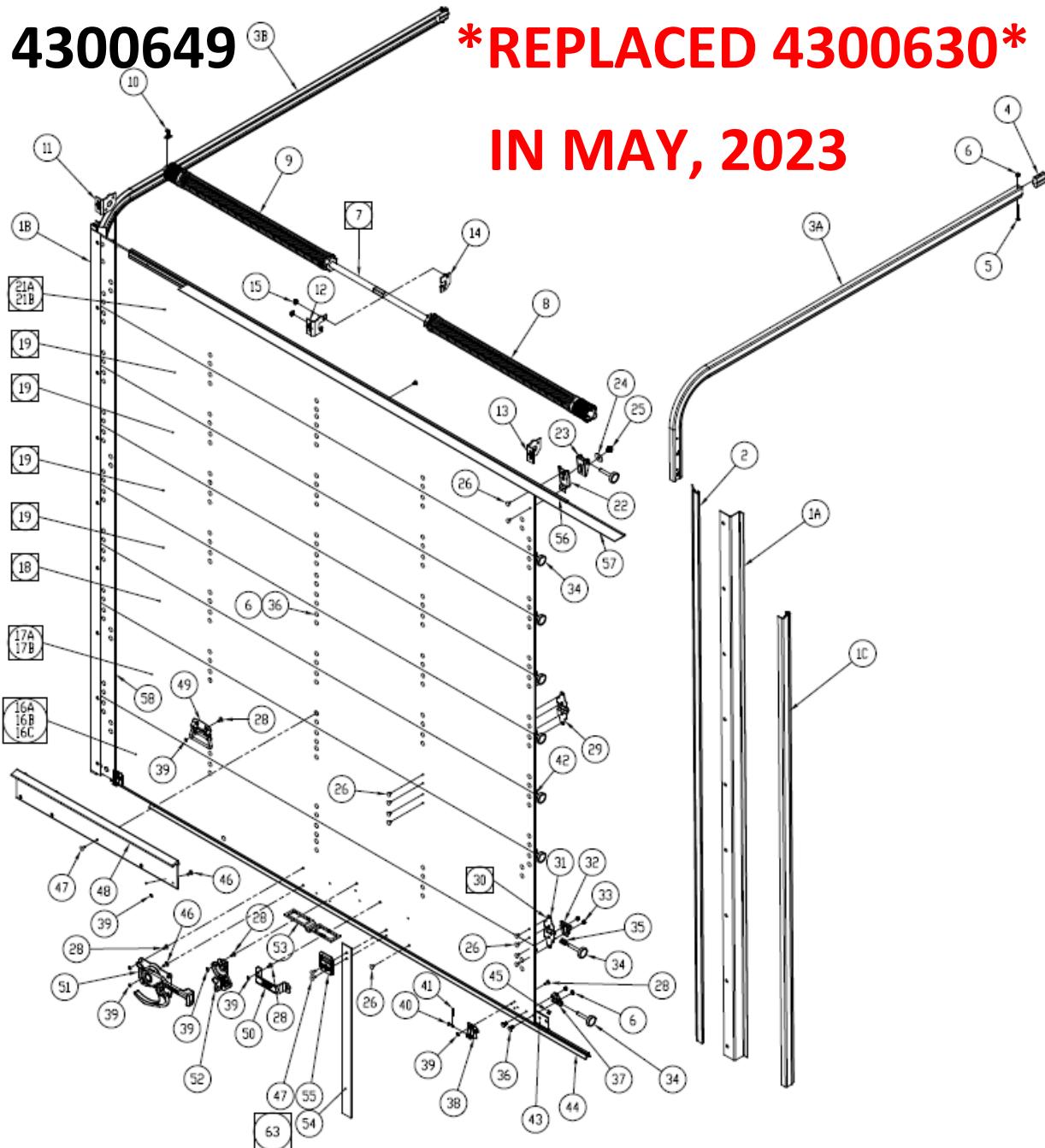
DETAIL C  
SCALE 1 / 16



DETAIL F  
SCALE 1 / 16



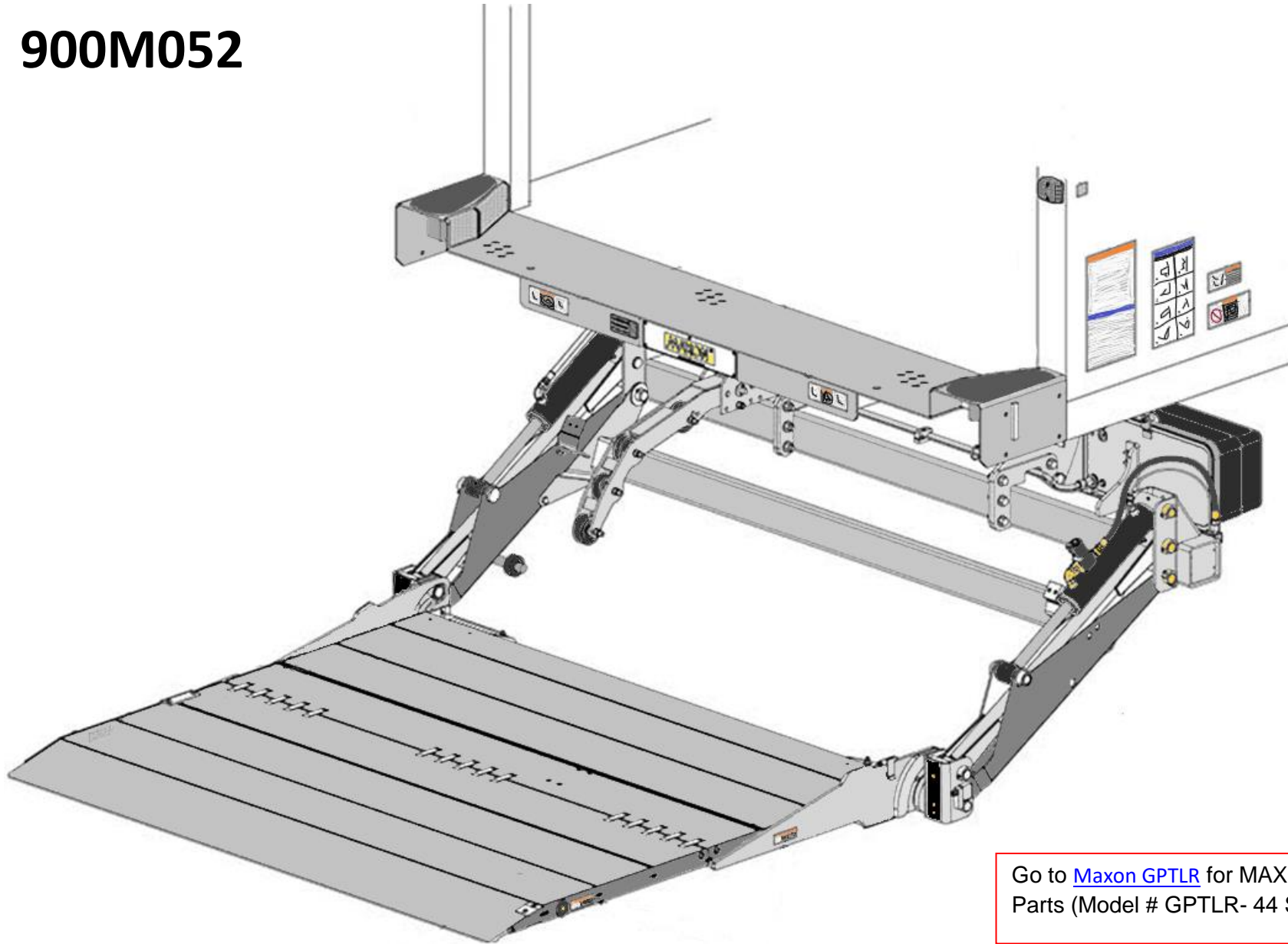
# TODCO ROLL UP DOOR REPLACEMENT



ITEM	PART NUMBER	DESCRIPTION	QTY
1A	50403013356	VERT TRACK WELDMENT (TRACK & ANGLE)-104 7/8" CURB SIDE	1
1B	50403023356	VERT TRACK WELDMENT (TRACK & ANGLE)-104 7/8" ROAD SIDE	1
1C	5022013200	2" TRACK ONLY - 100" W/ TABS (REQUIRES CUT TO FIT)	2
2	70584,3488	1 1/2" BRUSH PUSH IN SEAL (009")	2
3A	50223,0144800576	6"R HORIZONTAL TRACK - 140" CURB SIDE	1
3B	50223,0244800576	6"R HORIZONTAL TRACK - 140" ROAD SIDE	1
4	70483,1000	2" TRACK STOP - RUBBER BUMPER	2
5	80105,4200	BOLT, HEX HD 1/4-20 x 2-1/2	2
6	89231,2000	NEPS NUT - 1/4-20	16
7	59334,192323072	CB ASSY COMPLETE - 192x32 SPRING x 96" SHAFT	1
8	59332,19232	CURB SIDE SPRING ASSEMBLY - 192x32	1
9	59332,19232	ROAD SIDE SPRING ASSEMBLY - 192x32	1
10	80401,5240	COTTER PIN - 5/32 x 1 1/2	2
11	59314,2000	HEAD PLATE - DUAL SPRING (RH)	1
12	59315,2000	CENTER PLATE - DUAL SPRING	1
13	59314,1000	HEAD PLATE - DUAL SPRING (LH)	1
14	59316,0000	CENTER CLAMP - DUAL SPRING	1
15	89155,1000	FLANGE LOCK NUT - 5/16-18	2
16A	130015150x9763CD	10"R BOTTOM PANEL - 15x97 5/8" COMPLETE	1
16B	130015150x9763LL	10"R BOTTOM PANEL - 15x97 5/8" LESS LOCK	
16C	130015150x9763NH	10"R BOTTOM PANEL - 15x97 5/8" NO EXTERIOR HARDWARE	
17A	130016180x9763CD	10"R INTERMEDIATE PANEL - 18x97 5/8" COMPLETE	1
17B	130016180x9763NH	10"R INTERMEDIATE PANEL - 18x97 5/8" NO HARDWARE	
18	130016115X9763FP	10"R INT PANEL - 11 1/2x97 5/8 W/ FORK LEFT PLATE	1
19	130016115X9763NH	10"R INT PANEL - 11 1/2x97 5/8 NO HARDWARE	4
21A	130017136x9763CD	10"R INTERMEDIATE PANEL - 13 5/8x97 5/8" COMPLETE	1
21B	130017136x9763NH	10"R INTERMEDIATE PANEL - 13 5/8x97 5/8" NO HARDWARE	
22	69432,0000,05	TOP FIXTURE BASE - BLACK	2
23	69431,0000,05	TOP FIXTURE SLIDE - BLACK	2
24	80302,2648	FLATWASHER - 1 1/2"	2
25	89049,0000	E-LOC BOLT - 3/8 x 1/2	2
26	89210,0019	STEEL RIVET, 1/4 x 0.594	139
28	89210,0023	STEEL RIVET, 1/4 x 0.718	29
29	70159,0000	CENTER HINGE ASSEMBLY	21
30	70514,0000	END HINGE ASSEMBLY (INCLUDES 31, 32, 33)	14
31	70513,0000	END HINGE (LESS CAP AND NUTS)	14
32	70161,0000	HINGE ROLLER CAP	14
33	89042,2000	1/4-20 NYLOCK NUT	28
34	70600,0000	2" WINDEROLLER	18
35	80020,0000	ROLLER SPACER WASHER	16
36	80015,0032	SPLINED CARRIAGE BOLT - 1/4-20 x 1"	14
37	70309,0000,05	REMOVABLE ROLLER HOLDER - BLACK	2
38	59123,0000,41	HD CABLE BRACKET - TECH WHITE	2
39	89275,0000	SS CONICAL WASHER	38
40	61026,0000	CABLE ANCHOR PIN	2
41	80401,3160	COTTER PIN 3/32 x 1	2
42	70609,3264	JOINT SEAL (002")	7
43	70582,3136	10"R ENCAPSULATED BOTTOM ANGLE (98")	1
44	70578,3136	ARMORPLATE BOTTOM SEAL - 4 LIP VINYL (98")	1
45	89100,1000	DRIVE RIVET - 3/16 x 9/32	2
46	89210,0026	STEEL RIVET, 1/4 x 0.813	4
47	89210,0032	STEEL RIVET, 1/4 x 0.954	2
48	70306,1152,41	36" FORK LEFT PLATE - TECH WHITE	1
49	69325,0000,41	DROP LEFT HANDLE - TECH WHITE	1
50	61401,0000,41	TODCO LEFT HANDLE - TECH WHITE	1
51	70223,0000,41	OFFSET LEVER MS LOCK - TECH WHITE	1
52	69572,0000,41	MS LOCK SECONDARY KEEPER - TECH WHITE	1
53	70339,0000	FLUSH MOUNT CATCH BOX	1
54	70393,1408	PULL STRAP 44" BLACK	1
55	69832,0000,41	PULL STRAP RETAINER - TECH WHITE	1
56	70566,3136	HEAD SEAL RETAINER (98")	1
57	69718,0032	RUBBER HEAD SEAL	8.14 FT
58	59003,0000	130" CABLE (PAIR)	1
59	70318,0000	SAFETY & WARNING DECAL (NOT SHOWN)	1
60	70319,0000	SPRING WARNING DECAL (NOT SHOWN)	1
61	70545,0000	INSTALL & MAINTENANCE DECAL (NOT SHOWN)	1
62	70405,0000	TODCO OWNERS MANUAL (NOT SHOWN)	1
63	89108,0000	PULL STRAP KIT (INCLUDES ITEMS 47, 54 & 55)	1

# MAXON TUK-A-WAY ASSEMBLY, LTL SEMI

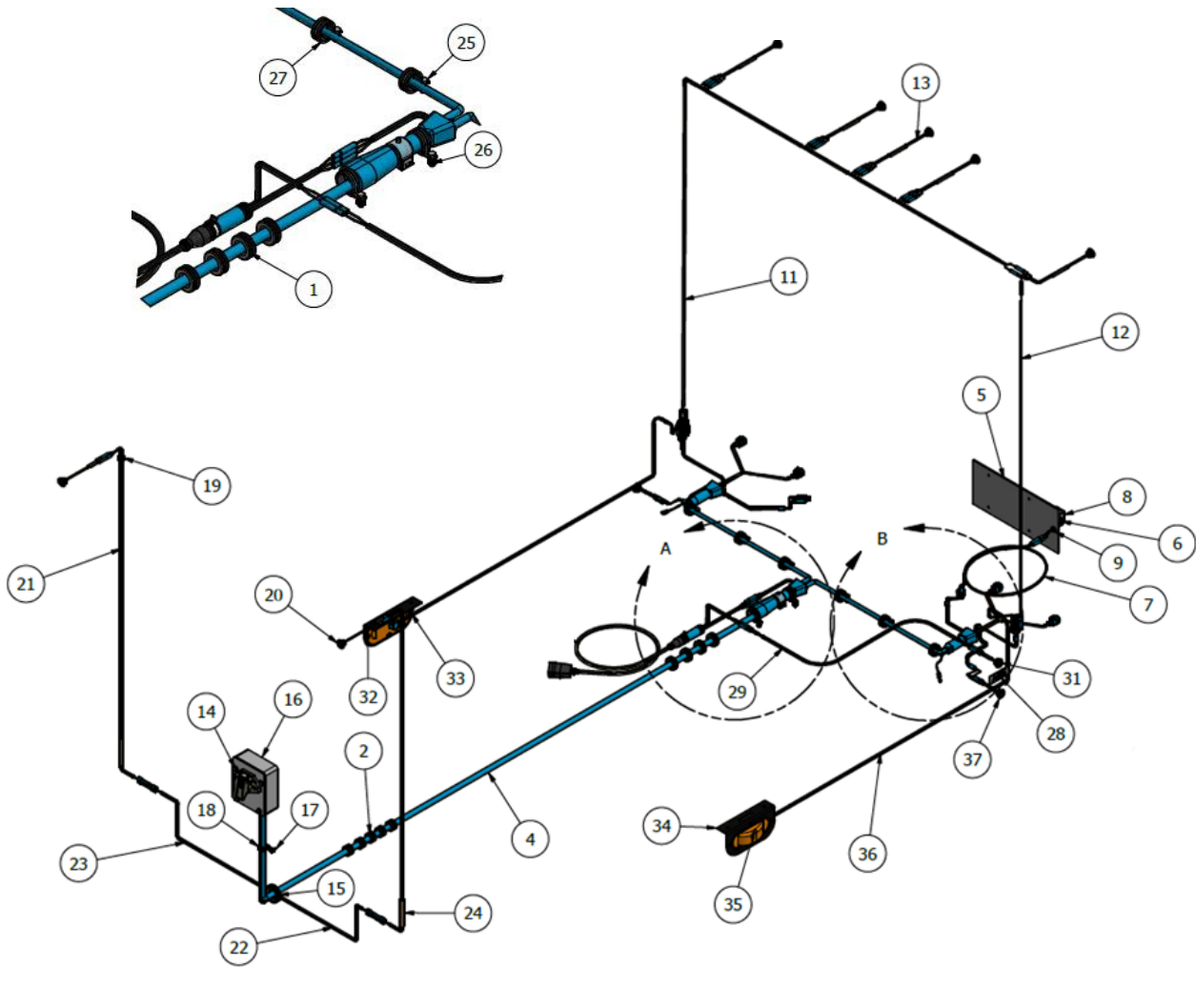
900M052



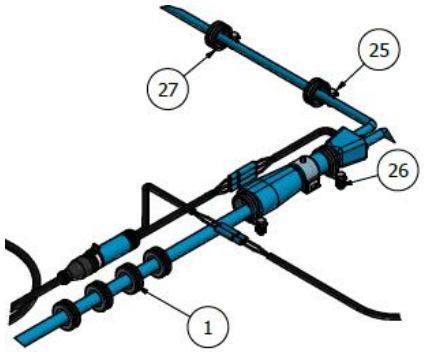
Go to [Maxon GPTLR](#) for MAXON Tuk-A-Way Parts (Model # GPTLR- 44 Series)

# ELECTRICAL ASSEMBLY, LTL48' LG

## 800M125



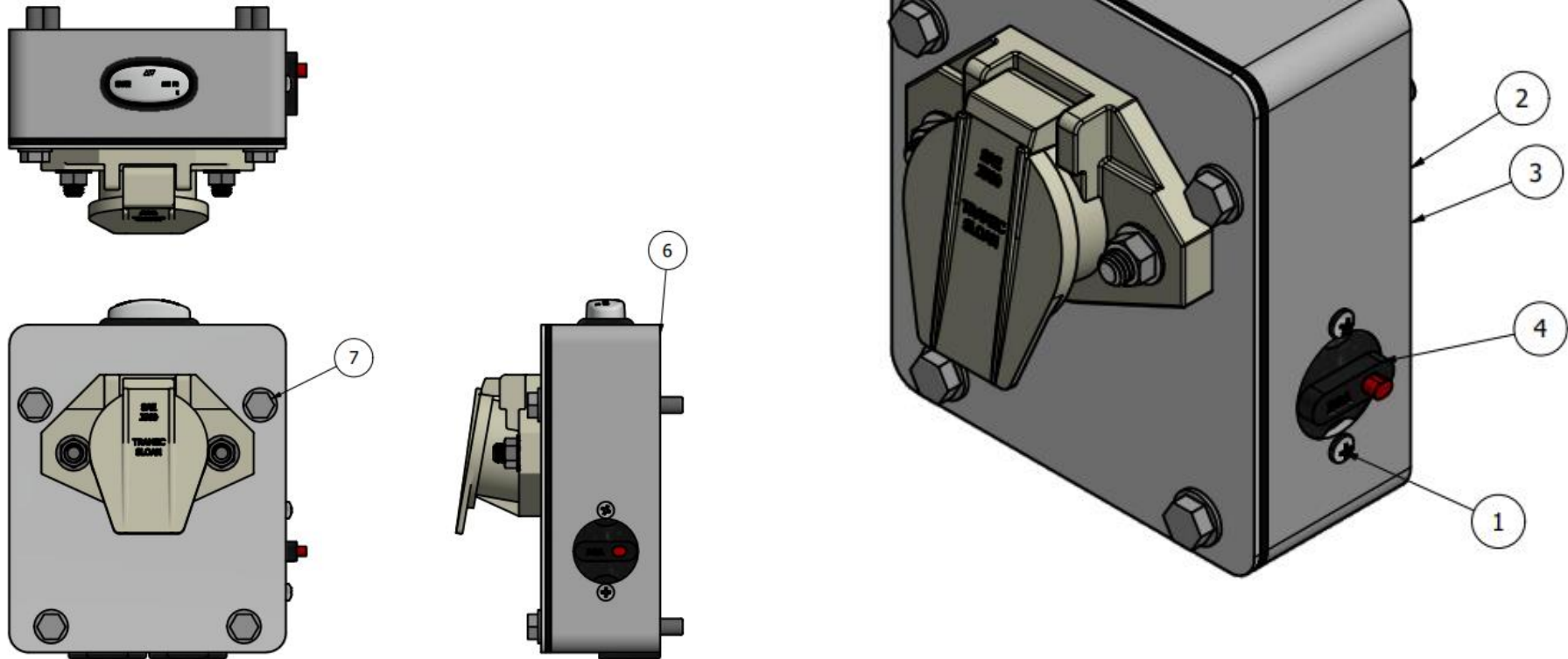
PARTS LIST			
ITEM	QTY	PART NUMBER	DESCRIPTION
1	8	8000459	GROMMET 1 3/4"
2	4	8000477	GROMMET 1"
3	1	8000550	REAR SILL HARNESS
4	1	8000592	MAIN HARNESS
5	1	2400199	BRACKET, LICENSE PLATE
6	1	8000196	LICENSE LIGHT MICRO-NOVA
7	3	8000197	MARKER LIGHT JUMPER
8	1	8000198	PINTLE HOOK LAMP MOUNTING
9	1	8000458	GROMMET, 5/8"
10	2	8000451	GROMMET 1 1/16"
11	1	8000553	DOOR HEADER HARNESS
12	1	8000554	TURN SIGNAL JUMPER
13	5	8000571	MICRO-NOVA DOT DUAL RED LED
14	4	6000298	BOLT, 5/16" - 18 x 2 1/2"
15	1	8000476	GROMMET2"
16	1	8000943	7-WAI SMART BOX
17	1	6300015	RIVET, POP
18	1	8000261	CLAMP, RUBBER CUSHION
19	2	8000458	GROMMET 5/8"
20	2	8000572	MICRO-NOVA AMBER DOT LED
21	2	8000594	FORWARD WALL HARNESS
22	1	8000596	JUMPER HARNESS 36"
23	1	8000597	JUMPER HARNESS 96"
24	1	8000997	SPLIT LOOM
25	8	6000275	BOLT, 1/4" -20 x 3/4"
26	8	6100256	NUT 1/4" - 20
27	8	8000275	CLAMP, CUSHION 1 1/4"
28	1	7500200	ABS FAULT DECAL
29	1	8000561	ABS LIGHT JUMPER HARNESS
30	1	8000564	ABS POWER HARNESS-SEMI
31	1	8000573	MICRO-NOVA AMBER LED
32	2	6300126	RIVET, POP
33	2	6300153	RIVET, POP
34	2	8000064	MOUNTING BRACKET, OVAL MID-TURN
35	2	8000132	MID-TURN LED FLANGE MOUNT
36	2	8004809	MID-TURN HARNESS
37	2	8000570	MICRO-NOVA DOT RED





# 7 WAY LIFTGATE ASSEMBLY

## 800N552



PARTS LIST			
ITEM	QTY	PART NUMBER	DESCRIPTION
	1	800N552	7 WAY LIFTGATE ASSEMBLY
1	2	6000003	MACHINE SCREW 8-32 x 3/4" STAINLESS
2	.75 FT	8000988	WIRE, WHITE 8 AWG
3	2	8001025	ELECTRICAL, CONNECTOR 8AWG RING #10
4	1	8003100	BREAKER, 30 AMP MANUAL RESET
5	1	8003104	INDICATOR LIGHT, BICOLOR
6	1	8000943	7 WAY SMAT BOX
7	4	6000298	BOLT, 5/16-18 x 2 1/2" TAPLITE SELF DRILL

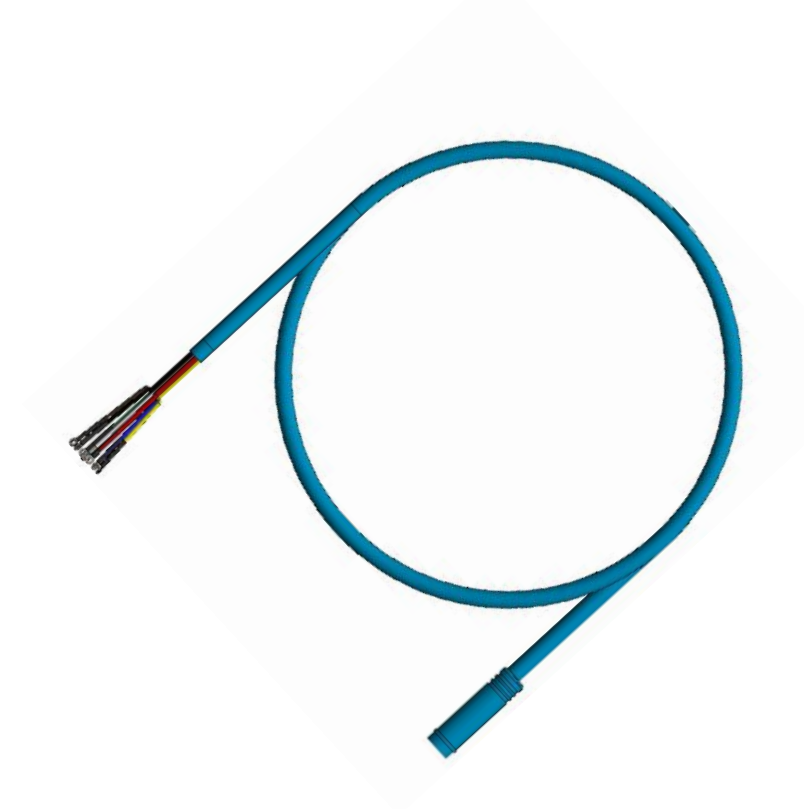
7-WAY BOX: TRAMEC 38521

LIGHT: GROTE 01-4946-02

BREAKER: IMPERIAL 77673

# MAIN HARNESS 648", LTL45' & 48'

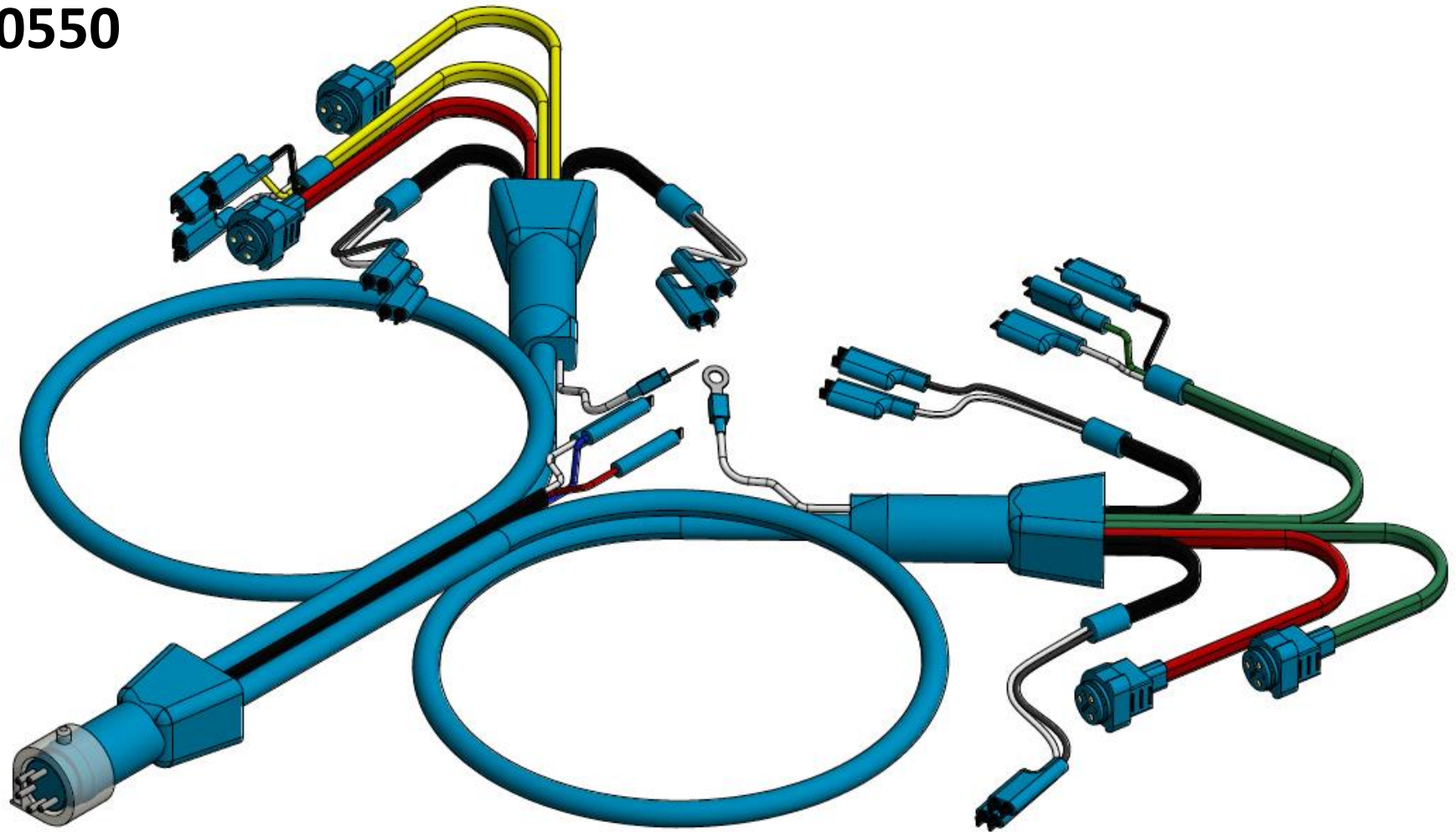
8000592





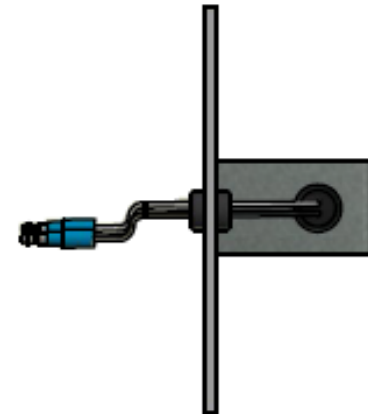
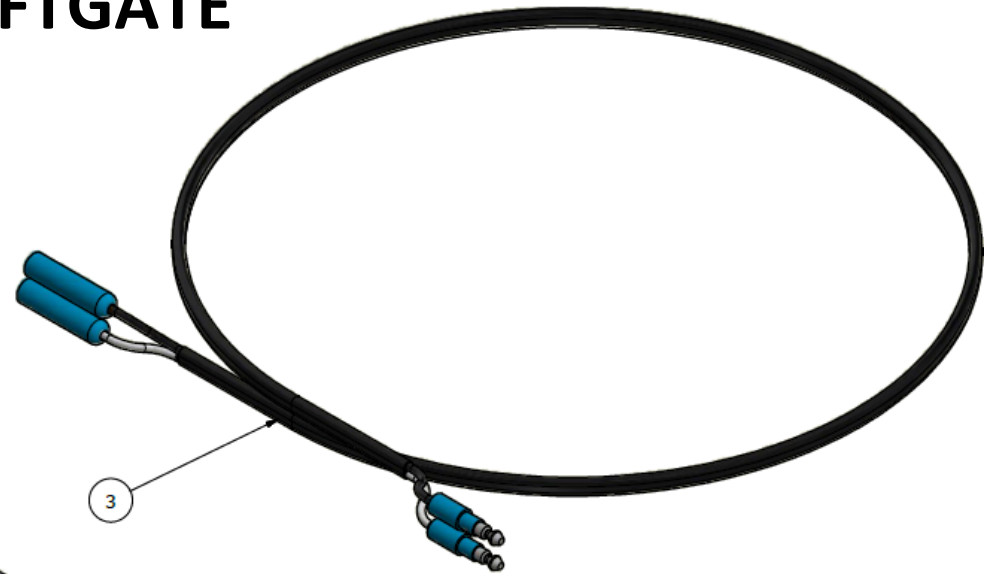
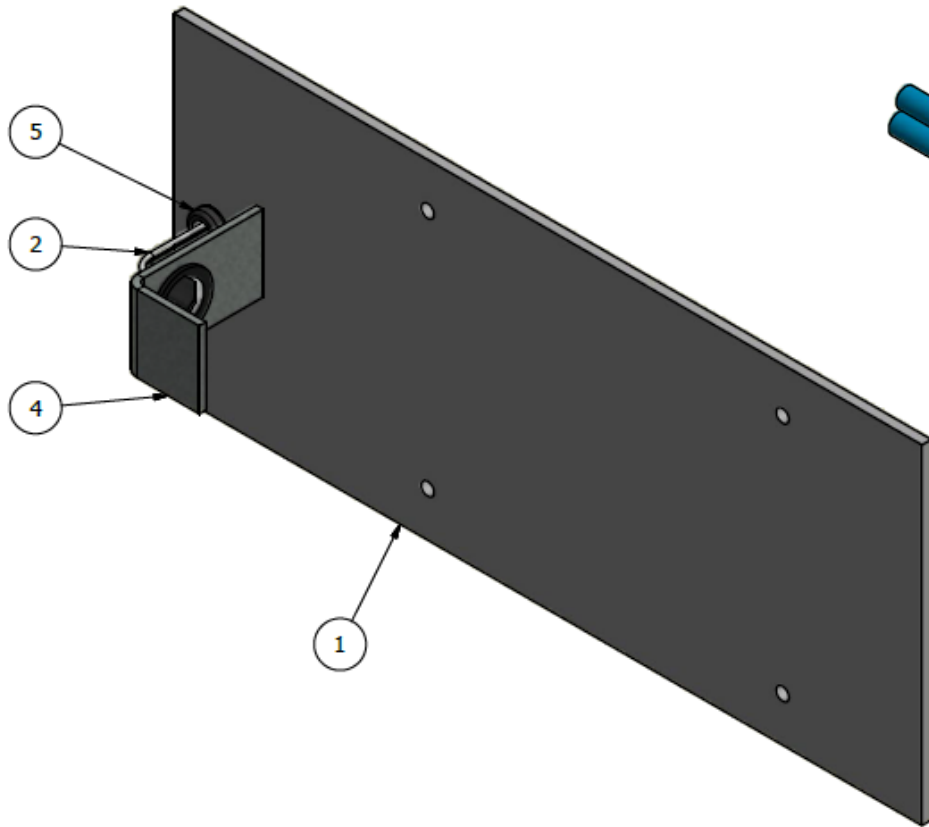
# REAR HARNESS-ABS

8000550



# LICENSE PLATE ASSEMBLY, LIFTGATE

## 800N318



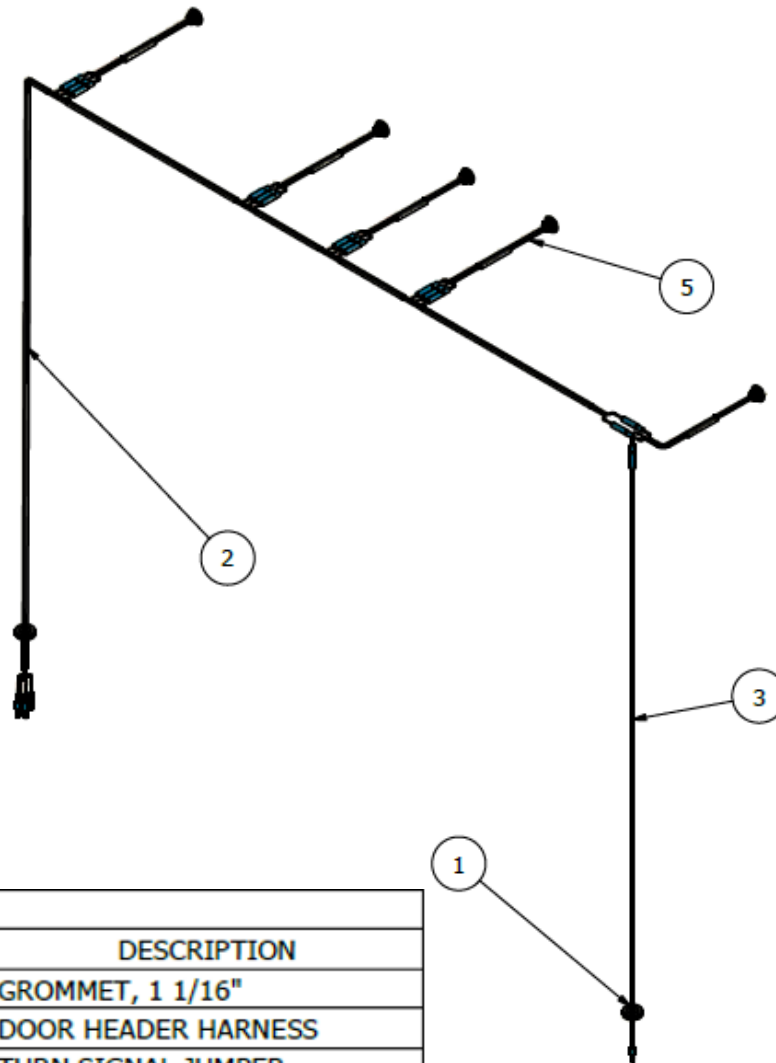
LIGHT: GROTE 01-60721-3

### PARTS LIST

ITEM	QTY	PART NUMBER	DESCRIPTION
1	1	2400199	BRACKET, LICENSE PLATE
2	1	8000196	LICENSE LIGHT MICRONOVA
3	3	8000197	MARKER LIGHT JUMPER 36"
4	1	8000198	PINTLE HOOK LAMP MOUNTING BRACKET
5	1	8000458	GROMMET 5/8" HOLE SIZE

# DOOR HEADER ELECTRICAL ASSEMBLY

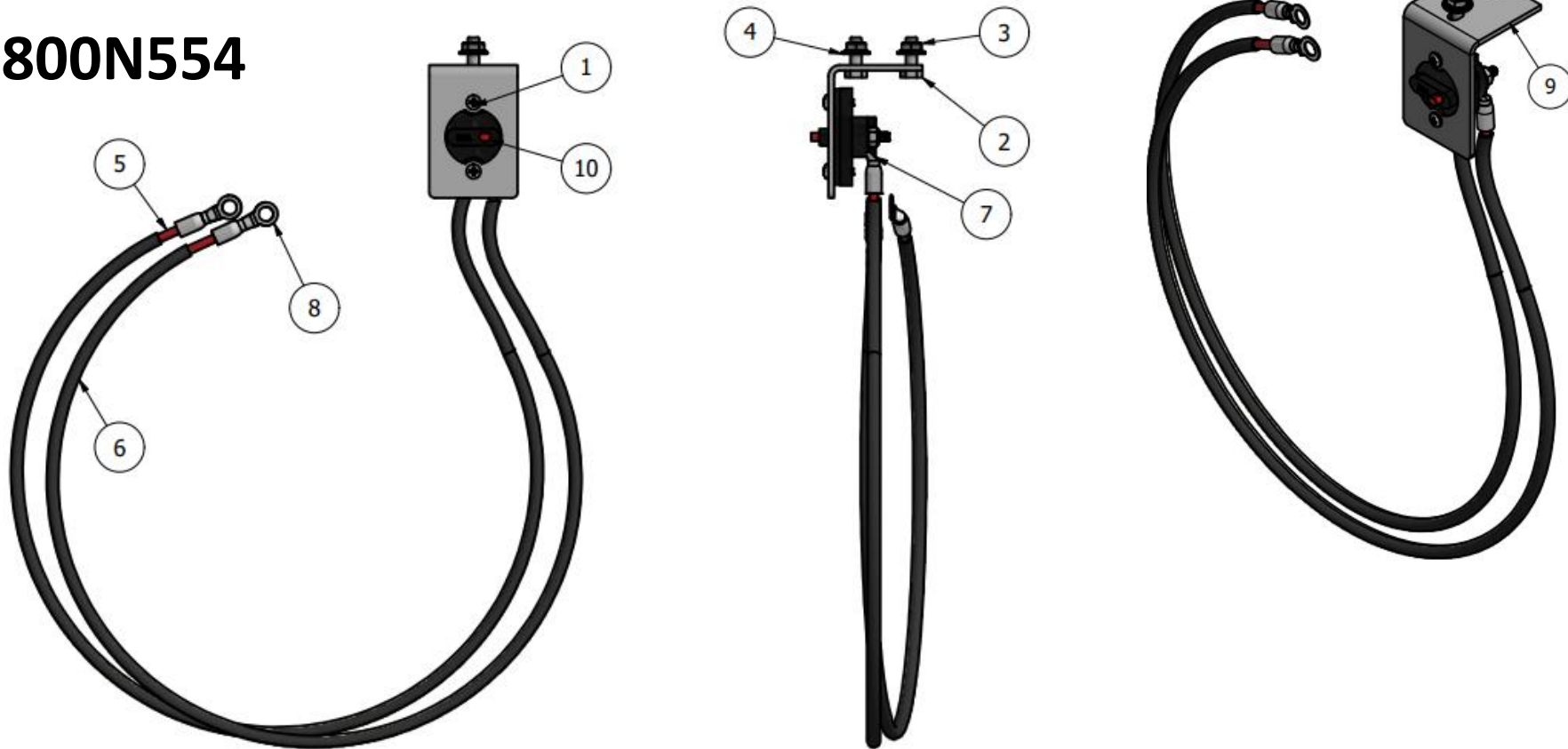
## 800N325



PARTS LIST			
ITEM	QTY	PART NUMBER	DESCRIPTION
1	2	8000451	GROMMET, 1 1/16"
2	1	8000553	DOOR HEADER HARNESS
3	1	8000554	TURN SIGNAL JUMPER
4	5	8000571	MICRO-NOVA DOT RED LAMP

# CIRCUIT BREAKER ASSEMBLY LIFTGATE

## 800N554

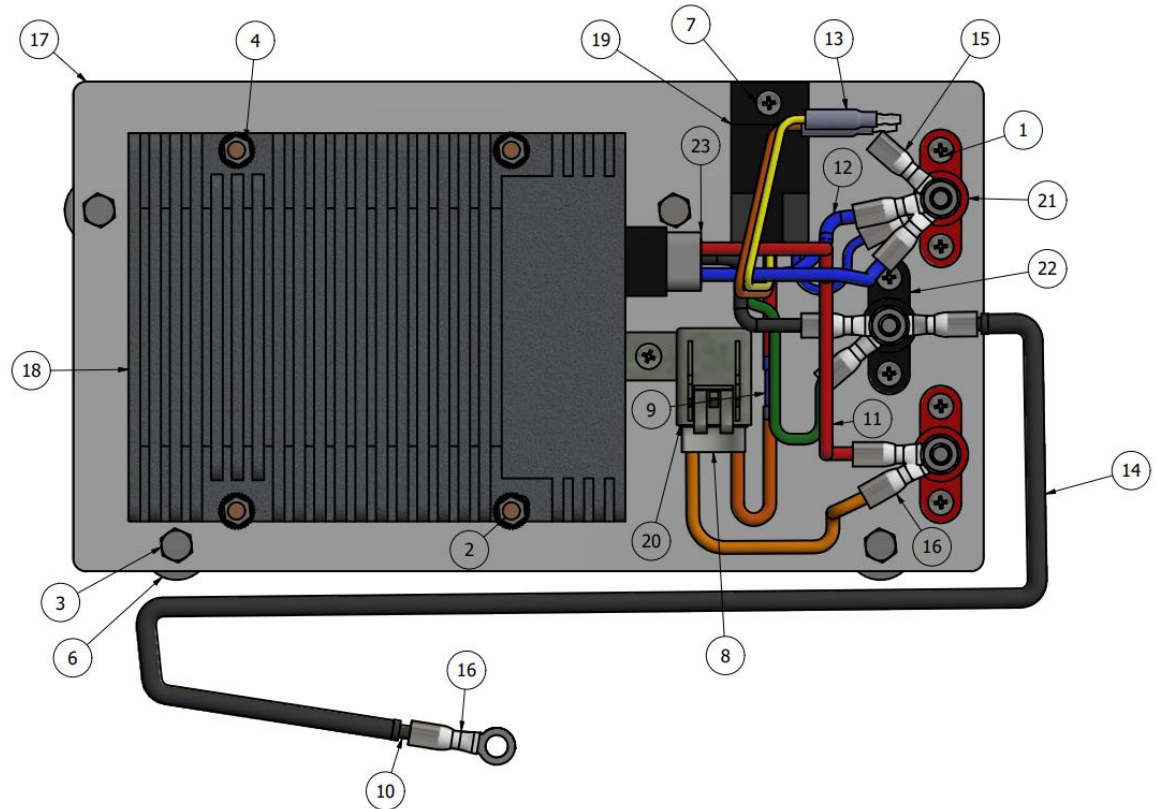
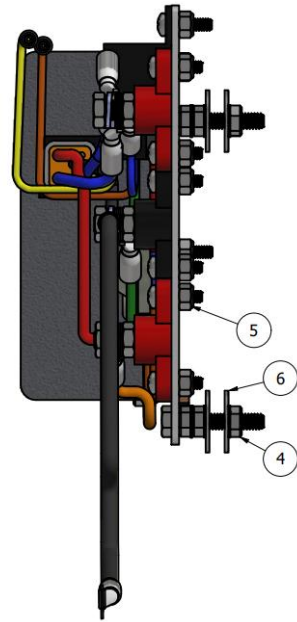


PARTS LIST			
ITEM	QTY	PART NUMBER	DESCRIPTION
	1	800N554	CIRCUIT BREAKER ASSEMBLY LIFTGATE
1	2	600003	MACHINE SCREW 8-32 x3/4" STAINLESS
2	2	6000275	BOLT, 1/4-20 x 3/4" GRADE 8
3	2	6100256	NUT, 1/4-20 KEP STAINLESS
4	2	6200251	WASHER 1/4" FLAT STAINLESS
5	5 FT	8000985	WIRE, RED 10 AWG
6	5	8000996	SPLIT LOOM 1/4"
7	2	8001023	ELECTRICAL, CONNECTOR 10/12 #10 RING
8	2	8001024	ELECTRICAL, CONNECTOR 10/12 5/16" RING
9	1	8003001	BRACKET, CIRCUIT BREAKER
10	1	8003100	BREAKER, 30 AMP MANUAL RESET

BREAKER: IMPERIAL 77673

# CHARGER ASSEMBLY LIFTGATE

## 800N558



CHARGER: EATON 11020C11

PARTS LIST				
ITEM	QTY	PART NUMBER	DESCRIPTION	
1	8	600002	MACHINE SCREW 10-24 x 3/4" STAINLESS	
2	4	6000254	BOLT 1/4"-20 x 1" GRADE 8	
3	4	6000286	BOLT 1/4"-20 x 1 1/2" STAINLESS	
4	16	6100256	NUT 1/4-20 KEP STAINLESS	
5	16	6100401	NUT, 10-24 NYLON STAINLESS	
6	8	6200242	WASHER, FENDER 1/4" STAINLESS	
7	2	6200256	WASHER, 3/16" FLAT STAINLESS	
8	1	8000199	FUSE, 5 AMP	
9	1	8000968	ELECTRICAL, BUTT CONNECTOR 14GA	
10	3.25FT	8000984	WIRE, 10AWG BLACK PRIMARY	
11	1FT	8000985	WIRE, 10AWG RED PRIMARY	
12	.75FT	8000987	WIRE, 10AWG BLUE PRIMART	
13	2	8000989	ELECTRICAL, CONNECTOR-MALE BULLET	
14	2FT	8000996	SPLIT LOOM 1/4"	
15	1	8001021	ELECTRICAL, CONNECTOR RING 8AWG	
16	9	8001024	ELECTRICAL, CONNECTOR RING 10/12 AWG	
17	1	8003000	BRACKET, CHARGER	
18	1	8003101	CHARGER, DC/DC	
19	1	8003102	RELAY ASSEMBLY	
20	1	8003103	FUSE HOLDER	
21	2	8003105	JUNCTION BLOCK RED, 5/15" STUD	
22	1	8003106	JUNCTION BLOCK BLACK, 5/15" STUD	
23	1	8003107	4 PIN CONNECTOR KIT FOR LIFTGATE CHARGER	

# AIR BRAKE ASSEMBLY, LTL 48'

## SPRING RIDE, WABCO ABS

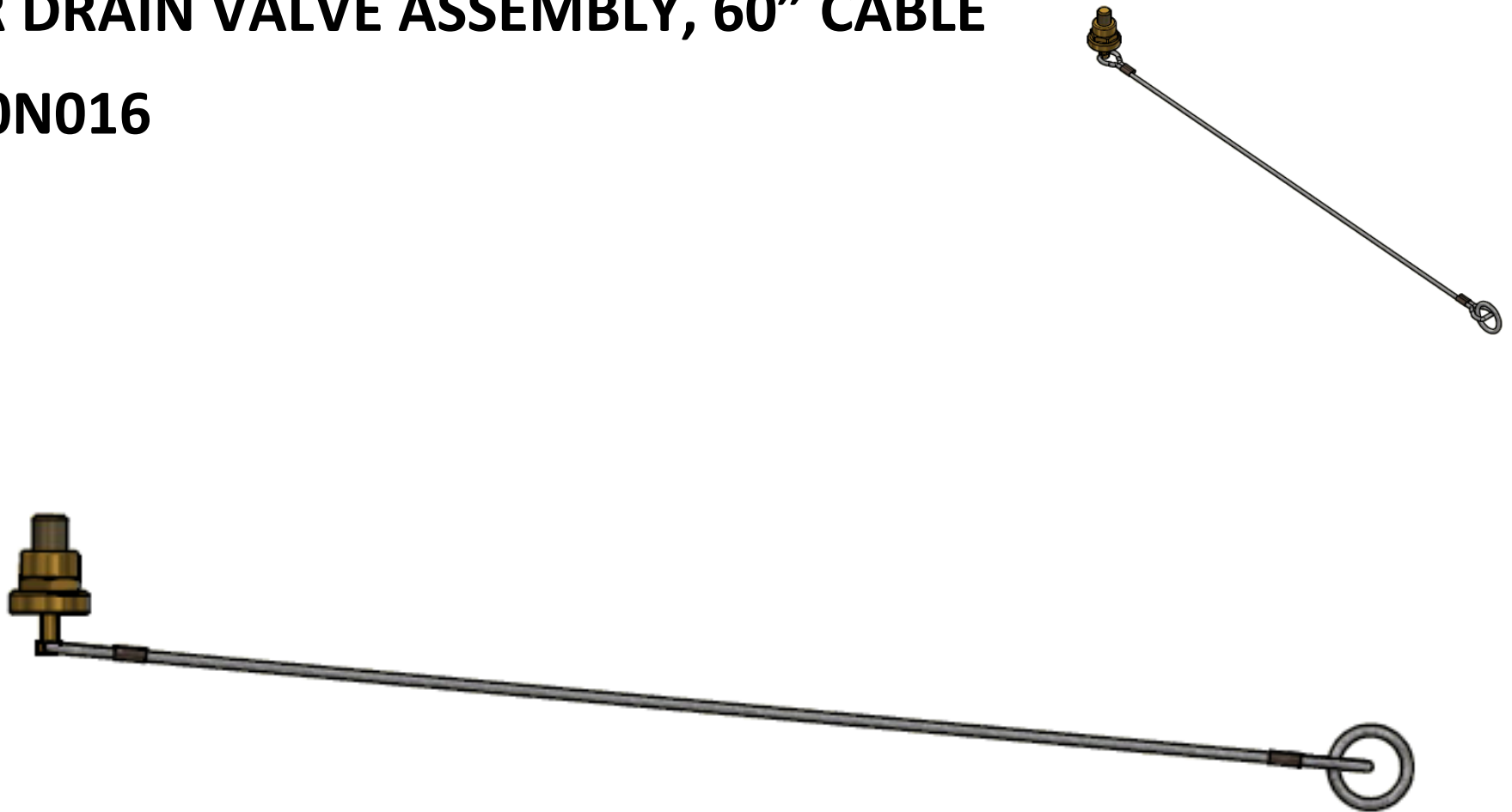
### 700M132

PARTS LIST			
ITEM	QTY	PART NUMBER	DESCRIPTION
1	2	210N071	SUPPORT SPRING ASSEMBLY, 16.5"
2	1	700N016	AIR DRAIN VALVE ASSM, 60" CABLE
3	2	700N142	AIR BRAKE CHAMBER CONNECTOR ASSM
4	1	700N253	BOGIE HOSE HANGER ASSM
5	1	700N376	VALVE ASSM, SPRING BRAKE
6	1	700N377	MOUNTING PLATE ASSM, AIR BRAKE VAVLE
7	1	700N378	AIR FILTER ASSM
8	1	700N379	VALVE ASSM, ABS
9	1	700N380	RELAY VALVE ASSM
10	1	700N389	AIR TANK ASSM, SEMI
11	1	700N403	AI BRAKE HOSE ASSEMBLY
12	1	700N406	GLADHAND ASSEMBLY, SEMI
13	1	700N411	BOGIE HOSE HANGER ASSEMBLY
14	1	700N520	AIR BRAKE CLAMP ASSM
15	8	8000478	GROMMET, 13/16" HOLE

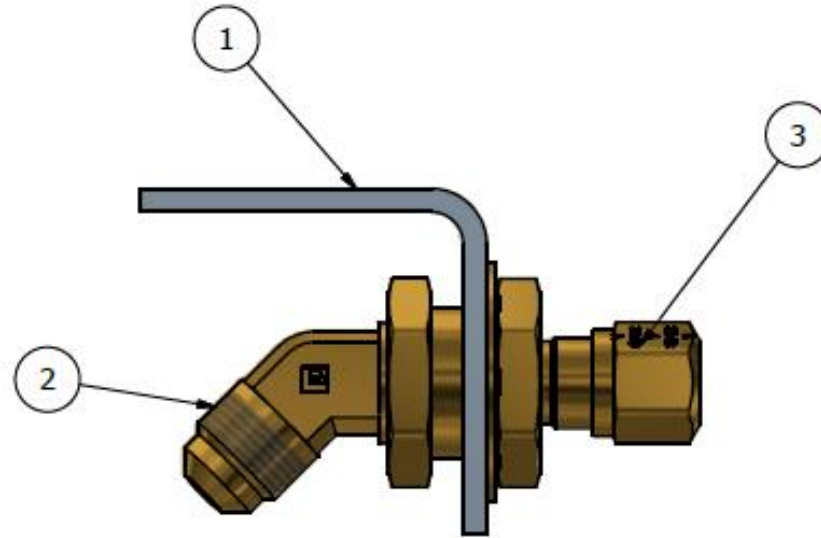
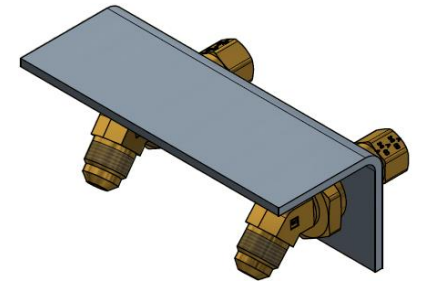


# AIR DRAIN VALVE ASSEMBLY, 60" CABLE

## 700N016



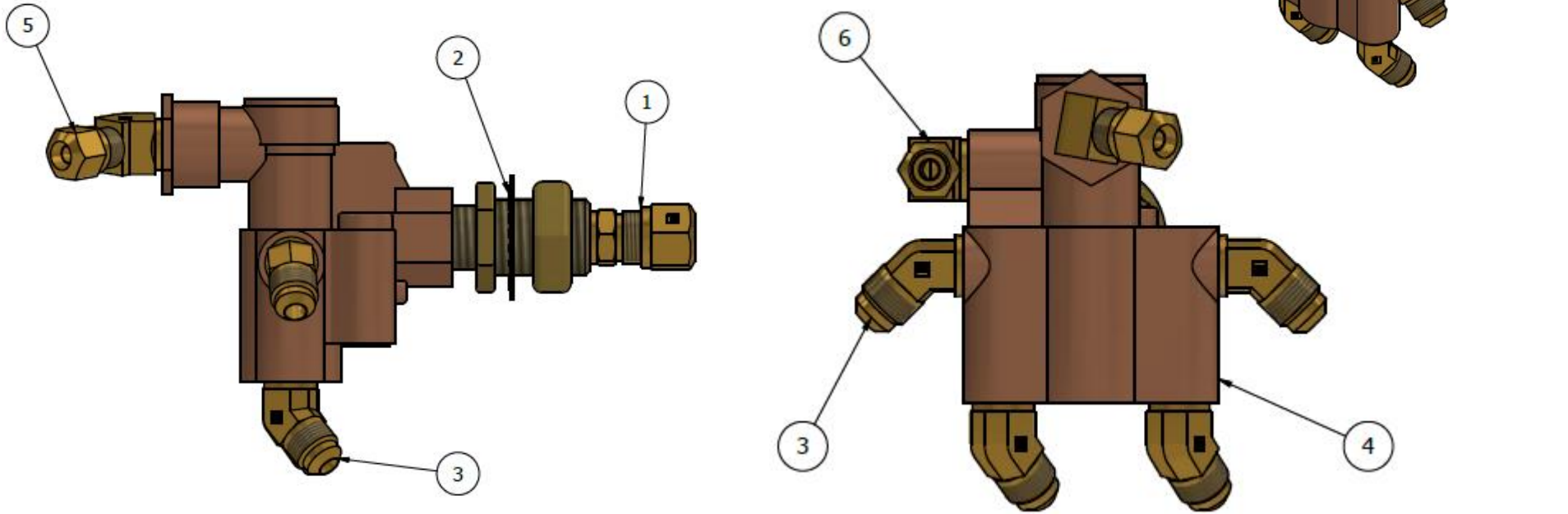
# BOGIE HOSE HANGER ASSEMBLY, LTL SEMI 700N253



PARTS LIST			
ITEM	QTY	PART NUMBER	DESCRIPTION
1	1	2104521	ANGLE, SLIDER HOSE HANGER
2	2	7000216	FITTING, MALE ELBOW 45 DEGREE
3	2	7045035	FITTING, BULKHEAD CONNECTION

# SPRING BRAKE VALVE ASSEMBLY, LTL SEMI

## 700N376

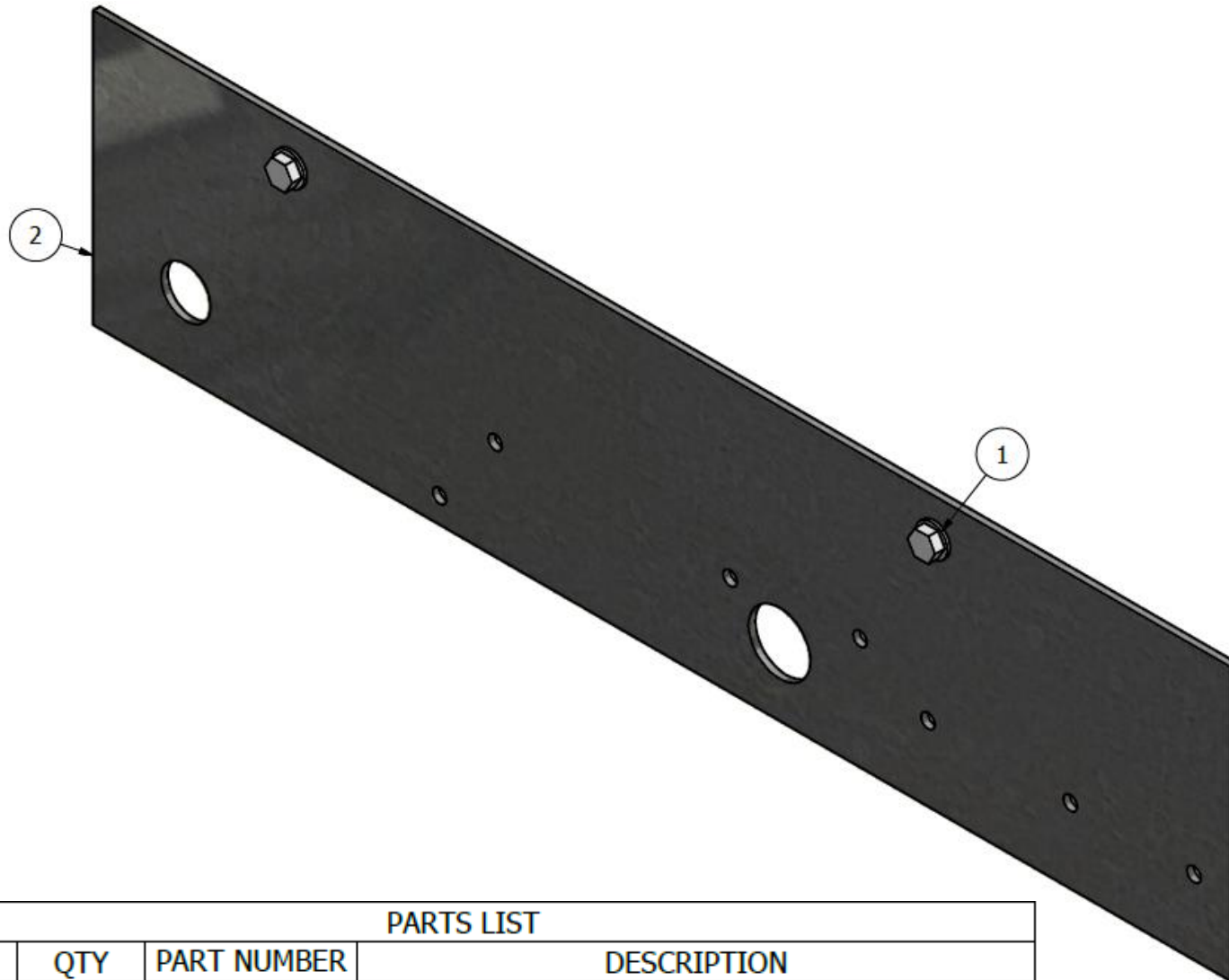


VALVE: SEALCO 110700

PARTS LIST			
ITEM	QTY	PART NUMBER	DESCRIPTION
	1	700N376	SPRING BRAKE VALVE
1	1	7000143	FITTING, MALE CONNECTOR
2	1	7000188	CLAMPING STUD
3	4	7000216	FITTING, MALE ELBOW 45 DEGREE
4	1	7001213	VALVE, SPRING BRAKE CONTROL
5	1	7045007	FITTING, 45 DEGREE ELBOW
6	1	7045008	FITTING, 90 DEGREE ELBOW

# AIR BRAKE VALVE MOUNTING PLATE ASSEMBLY, LTL SEMI

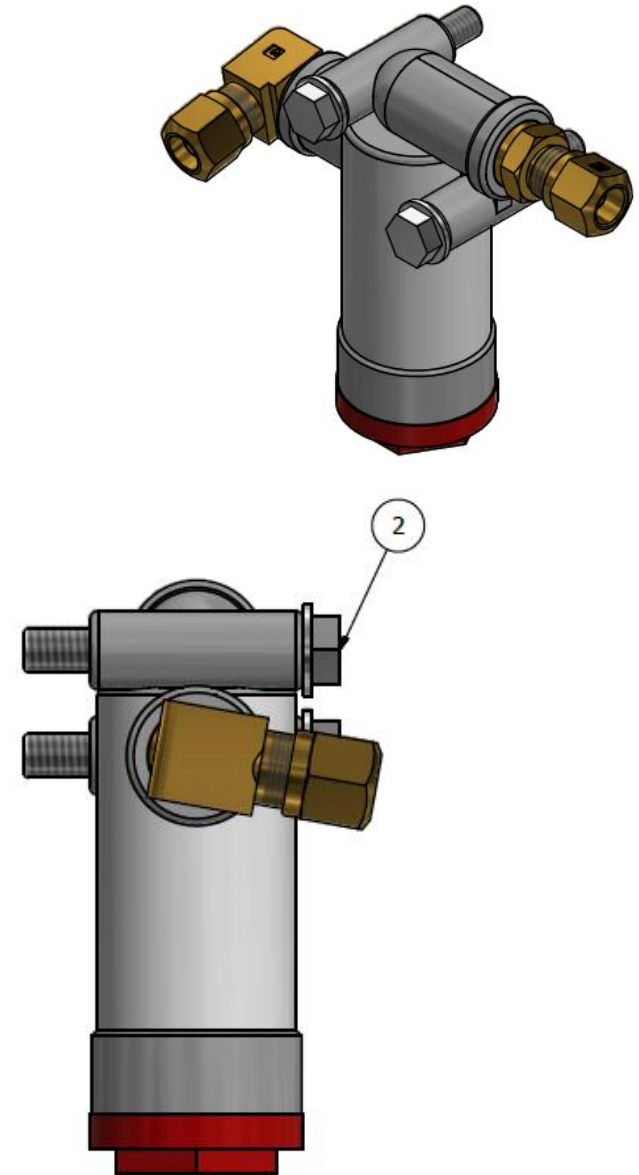
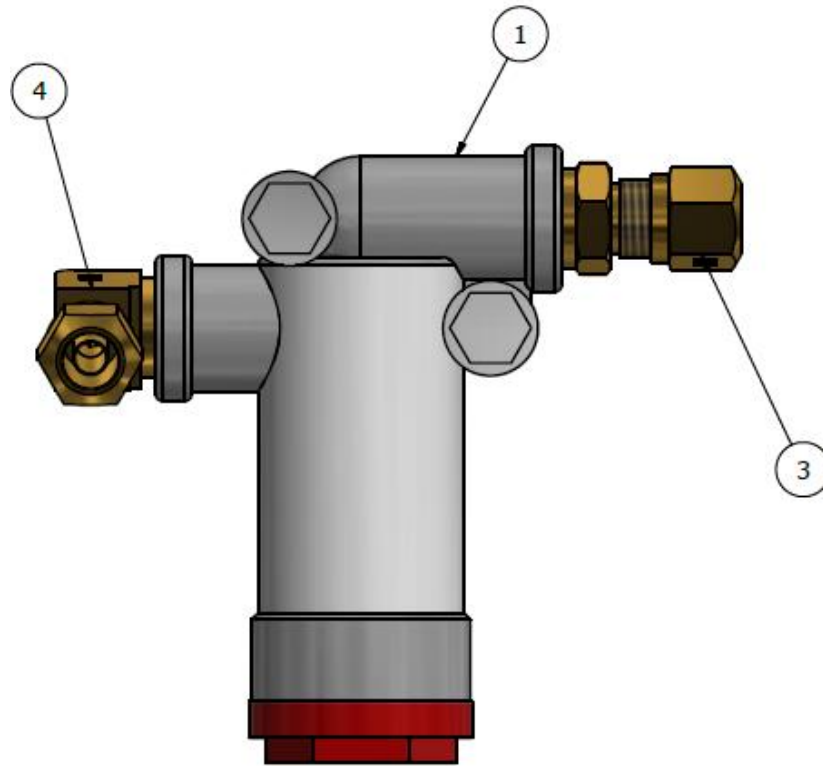
700N377



PARTS LIST			
ITEM	QTY	PART NUMBER	DESCRIPTION
1	2	6000312	BOLT, 5/16"-18 x 3/4" TRILOBULAR SELF TAPPING
2	1	7000064	MOUNTING PLATE, AIR BRAKE VALVE

# AIR FILTER ASSEMBLY, LTL SEMI

## 700N378

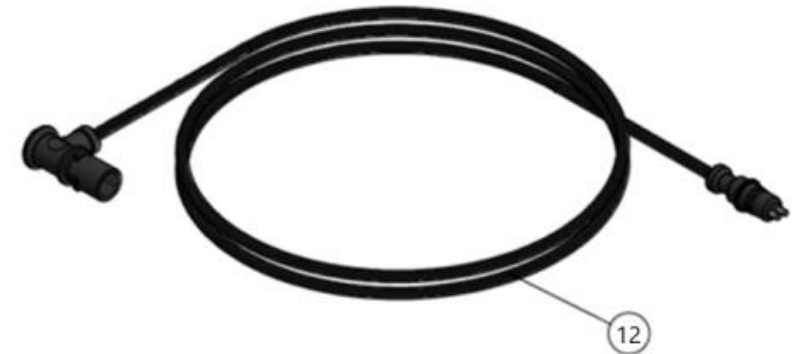
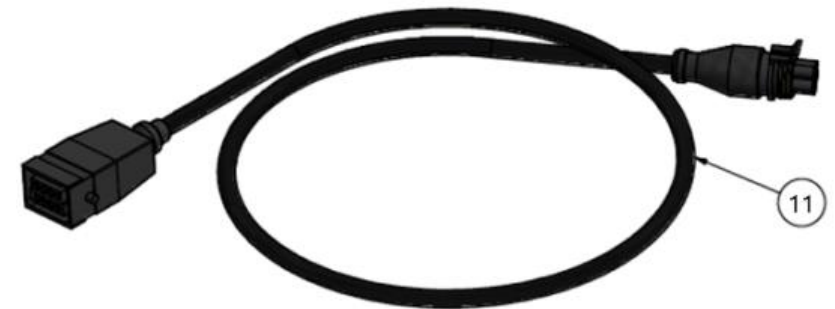
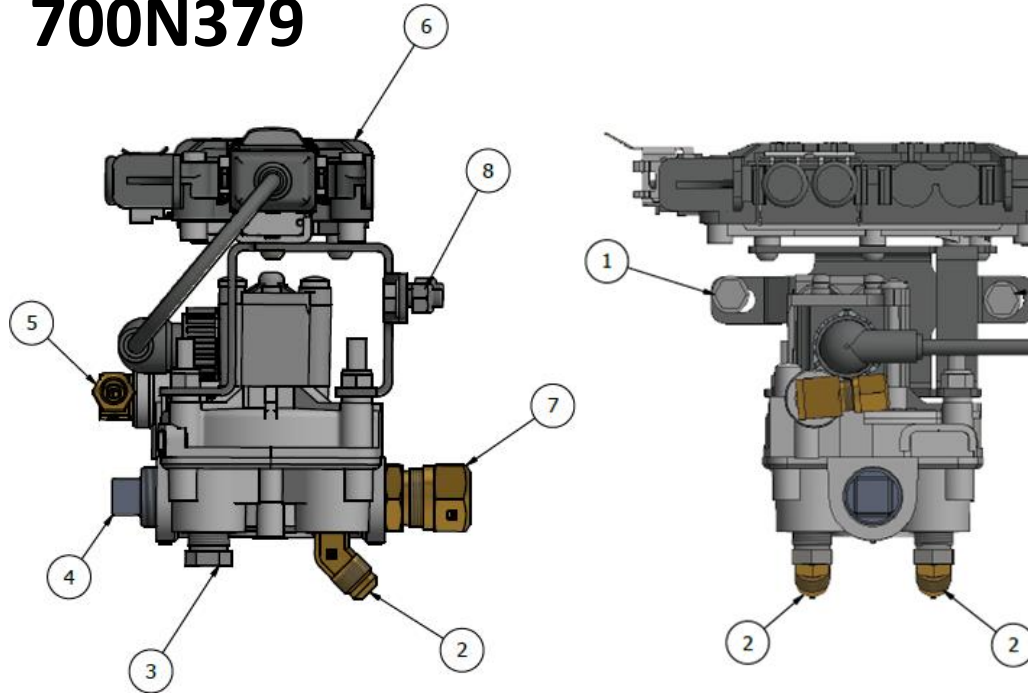


PARTS LIST			
ITEM	QTY	PART NUMBER	DESCRIPTION
	1	700N378	AIR FILTER ASSEMBLY
1	1	7000110	VALVE, FILTER LINE-AIR BRAKE
2	2	6000345	BOLT, 5/16"- 18 x 2"
3	1	7000141	FITTING, MALE CONNECTOR
4	1	7045008	FITTING, ELBOW 90 DEGREE

VALVE: SEALCO 2550

# ABS VALVE ASSEMBLY, LTL SEMI

## 700N379



### PARTS LIST

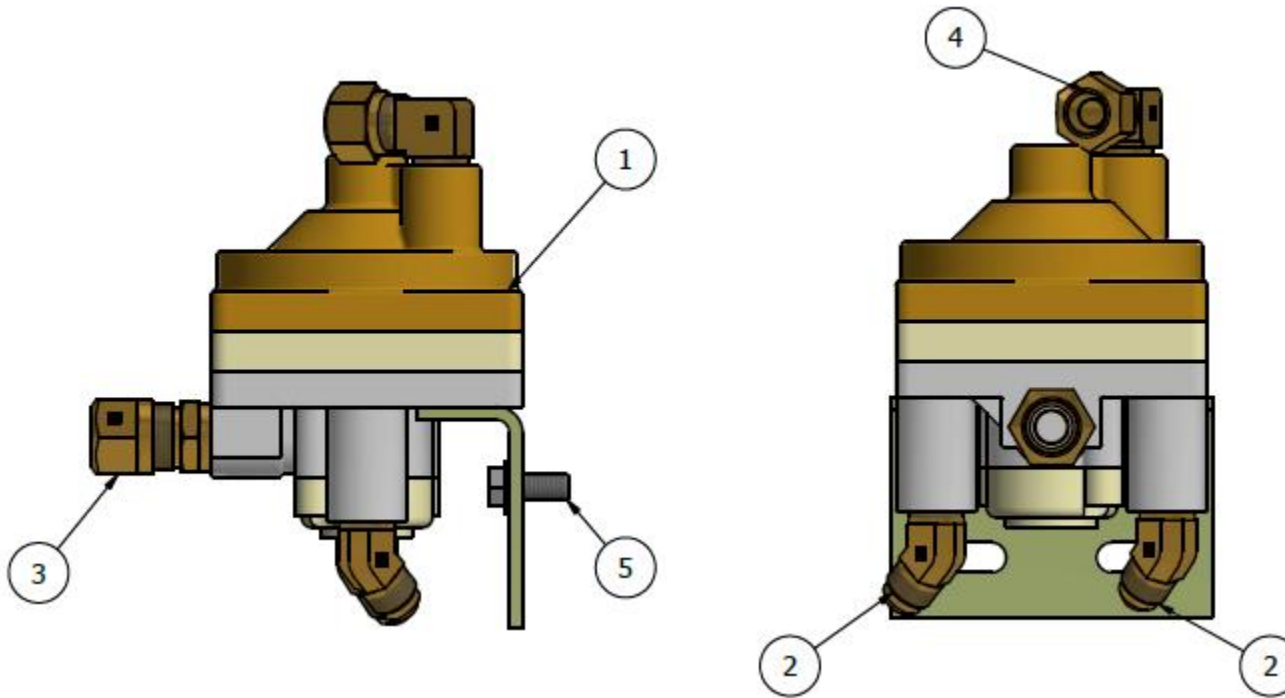
ITEM	QTY	PART NUMBER	DESCRIPTION
1	2	6000312	BOLT, 5/16"-18 x 3/4" TRILOBULAR SELF TAPPING
2	2	7000216	MALE ELBOW FITTING, 45 DEG 159F-6-6
3	2	7000851	PIPE PLUG, 3/8"
4	1	7000856	PIPE PLUG, 3/4" NPT
5	1	7045009	FITTING, 90 DEG ELBOW 269NTA-6-6
6	1	7001229	VALVE, ABS- WABCO 25/1M
7	1	7000217	FITTING, MALE CONNECTOR
8	2	6100316	NUT, 5/16-18 LOCK
9	2	7001224	ABS, SENSOR CLIP - MERITOR
10	2	7001218	SPEED SENSOR, MERITOR - WITH MOLDED
11	1	7001230	ABS, POWER CABLE - MERITOR 20'
12	2	7001223	ABS, SENSOR WIRE- 72" MERITOR

VALVE: MERITOR S400-500-101 0



# RELAY VALVE ASSEMBLY, LTL SEMI

## 700N380

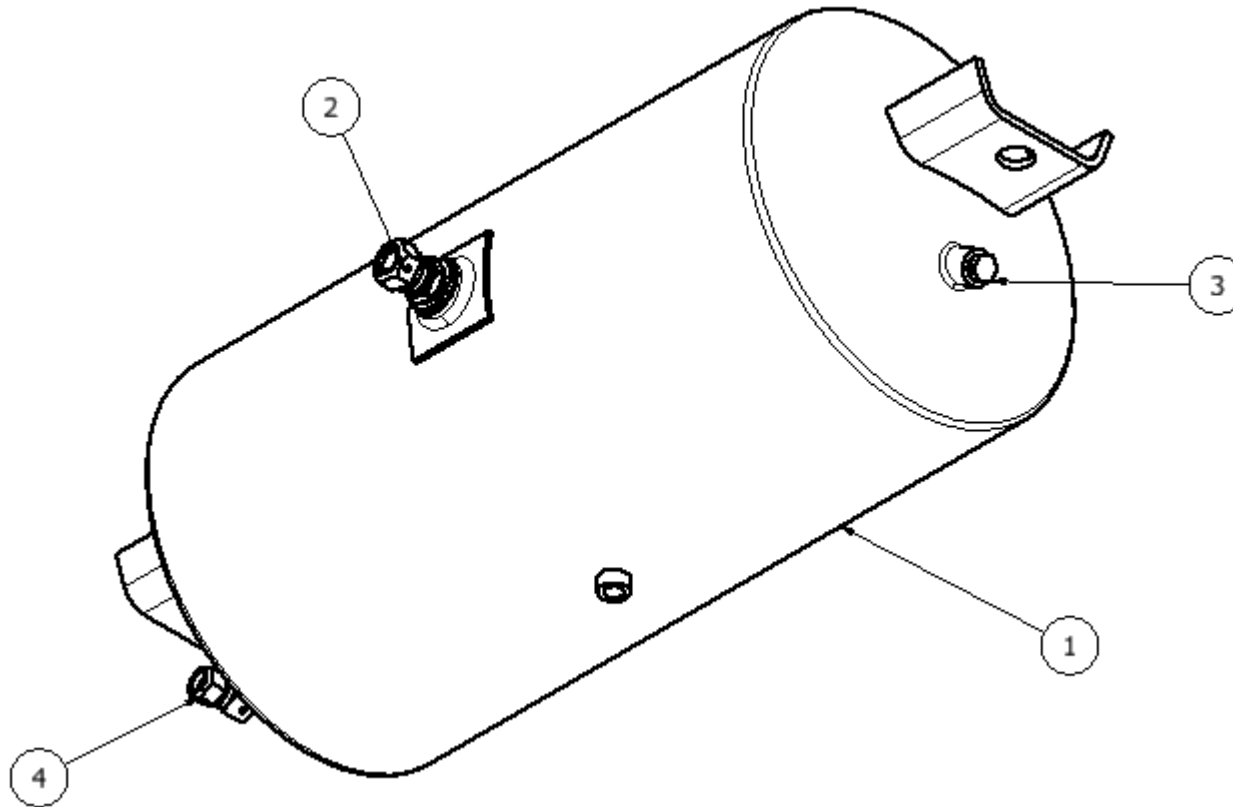


VALVE: SEALCO 110412

PARTS LIST			
ITEM	QTY	PART NUMBER	DESCRIPTION
	1	700N380	RELAY VALVE ASSEMBLY
1	1	7001247	VALVE, SERVICE RELAY
2	2	7000216	FITTING, MALE ELBOW 45 DEGREE
3	1	7000218	FITTING, MALE CONNECTOR
4	1	7045009	FITTING, ELBOW 90 DEGREE
5	2	6000312	BOLT, 5/15"-18 x 3/4"

# AIR TANK ASSEMBLY, LTL SEMI

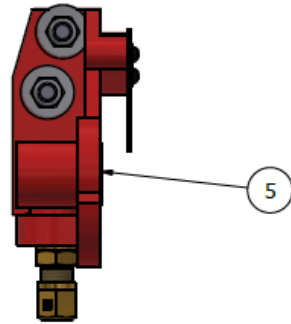
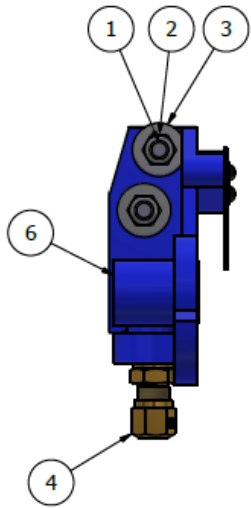
## 700N375



PARTS LIST			
ITEM	QTY	PART NUMBER	DESCRIPTION
1	1	7000102	AIR TANK, 12"
2	1	7000217	FITTING, MALE CONNECTOR 68NTA-10-12
3	1	7000851	PIPE PLUG, 3/8"
4	1	7045009	FITTING, ELBOW 90D 269NTA-8-6

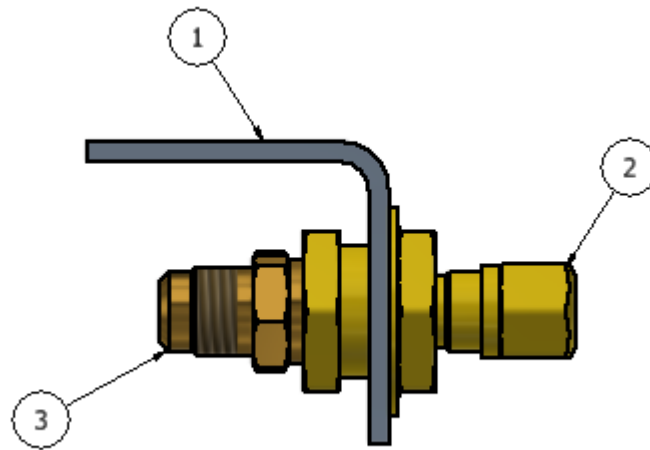
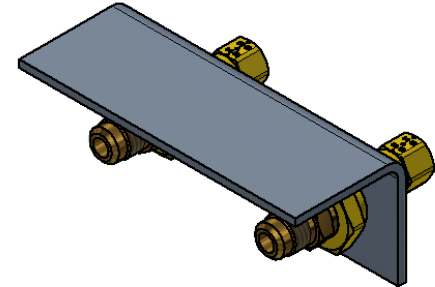
# GLADHAND ASSEMBLY-FRONT, SEMI

## 700N406



PARTS LIST				
ITEM	QTY	PART NUMBER	DESCRIPTION	
1	4	6000961	BOLT, 5/16-18 x 1 1/4" CARRIAGE, GRADE 5 PLATED	
2	4	6100316	NUT, 5/16-18 LOCK, NYLON	
3	4	6200312	WASHER, 5/16" ID x 7/8" OD	
4	2	7000141	FITTING, MALE 68NTA-6-6	
5	1	7001297	GLADHAND, 38D, EMERGENCY, CAST	
6	1	7001298	GLADHAND, 38D, CONTROL, CAST	

# BOGIE HOSE HANGER ASSEMBLY, LTL SEMI 700N253

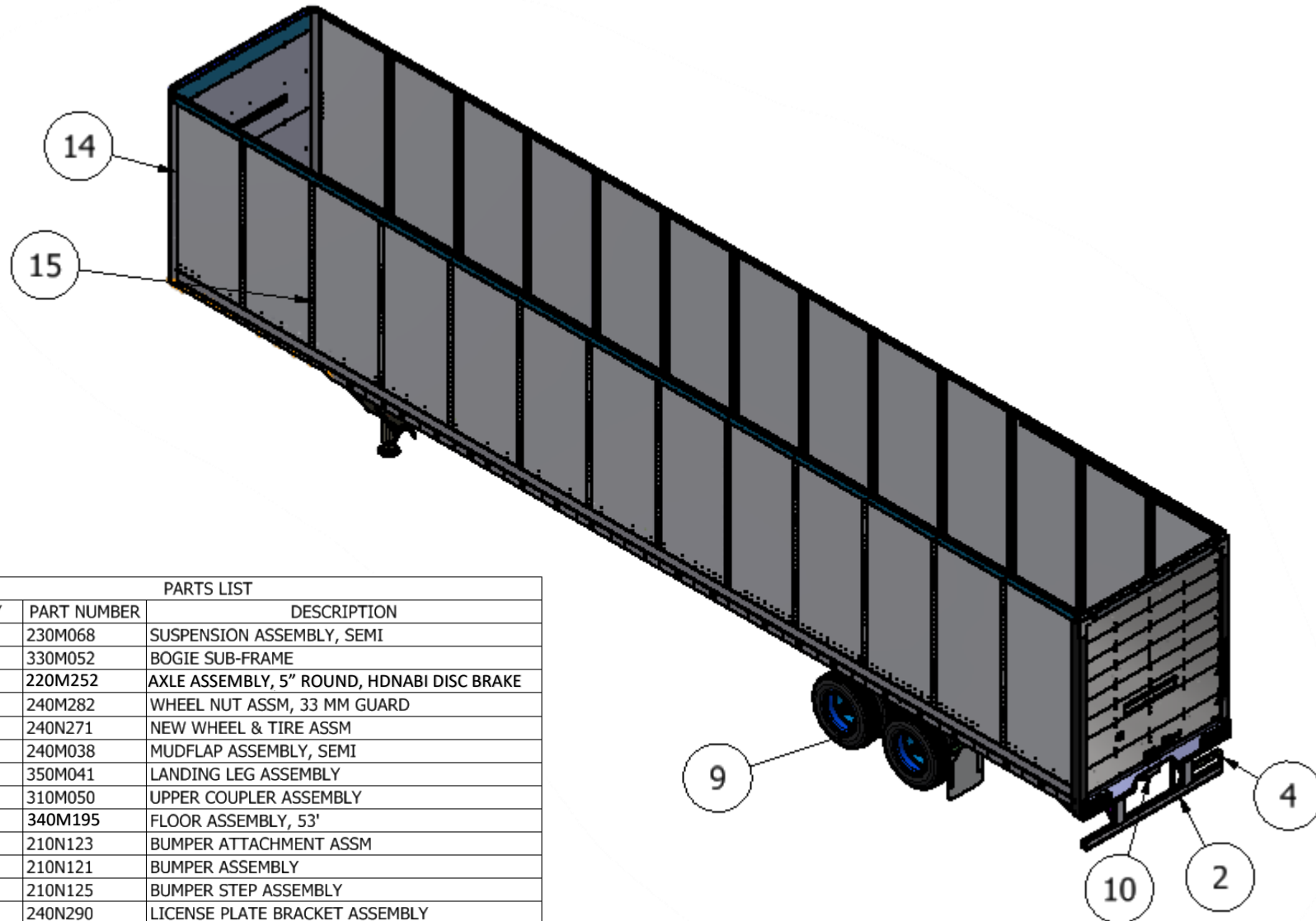


PARTS LIST			
ITEM	QTY	PART NUMBER	DESCRIPTION
1	1	2104521	ANGLE, SLIDER HOSE HANGER
2	2	7045035	FITTING, BULKHEAD CONNECTION
3	2	7000189	FITTING, MALE CONNECTOR



**53' TRAILER ASSEMBLIES  
FOR  
LTL TRAILERS**

# LTL53N00A - 37

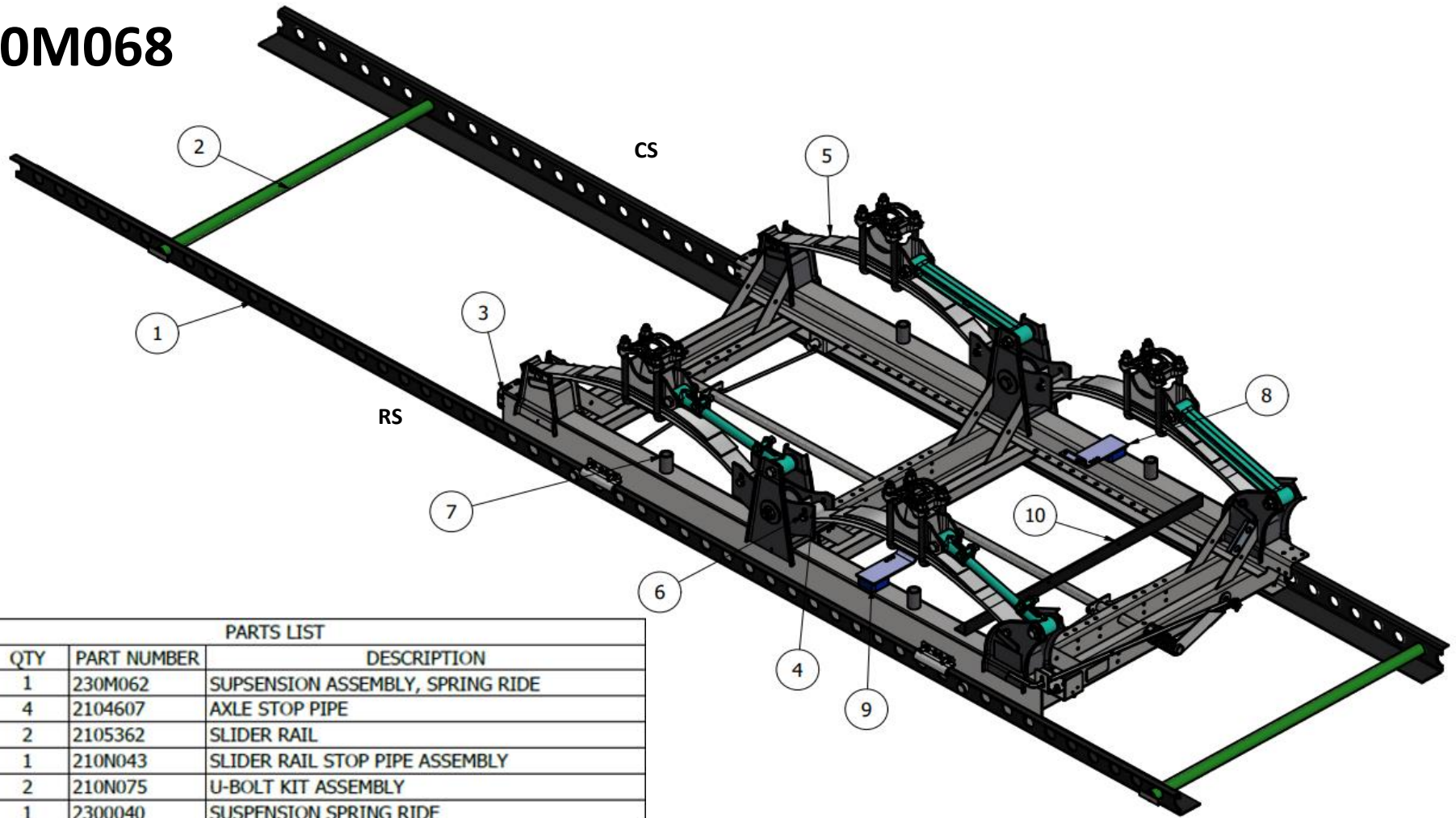


PARTS LIST			
ITEM	QTY	PART NUMBER	DESCRIPTION
1	1	230M068	SUSPENSION ASSEMBLY, SEMI
2	1	330M052	BOGIE SUB-FRAME
5	2	220M252	AXLE ASSEMBLY, 5" ROUND, HDNABI DISC BRAKE
8	2	240M282	WHEEL NUT ASSM, 33 MM GUARD
9	8	240N271	NEW WHEEL & TIRE ASSM
7	1	240M038	MUDFLAP ASSEMBLY, SEMI
14	1	350M041	LANDING LEG ASSEMBLY
11	1	310M050	UPPER COUPLER ASSEMBLY
13	1	340M195	FLOOR ASSEMBLY, 53'
3	1	210N123	BUMPER ATTACHMENT ASSM
2	1	210N121	BUMPER ASSEMBLY
4	1	210N125	BUMPER STEP ASSEMBLY
10	1	240N290	LICENSE PLATE BRACKET ASSEMBLY
14	1	410M127	FORWARD WALL ASSEMBLY - SEMI
15	1	422N075	R/S SIDEWALL ASSEMBLY
16	1	421N075	C/S SIDEWALL ASSEMBLY
17	1	500M108	ROLL-UP DOOR ASSEMBLY
17	1	421N926	ANCR A HORIZONTAL TIE-DOWN



# SUSPENSION ASSEMBLY-SPRING RIDE, SEMI

## 230M068



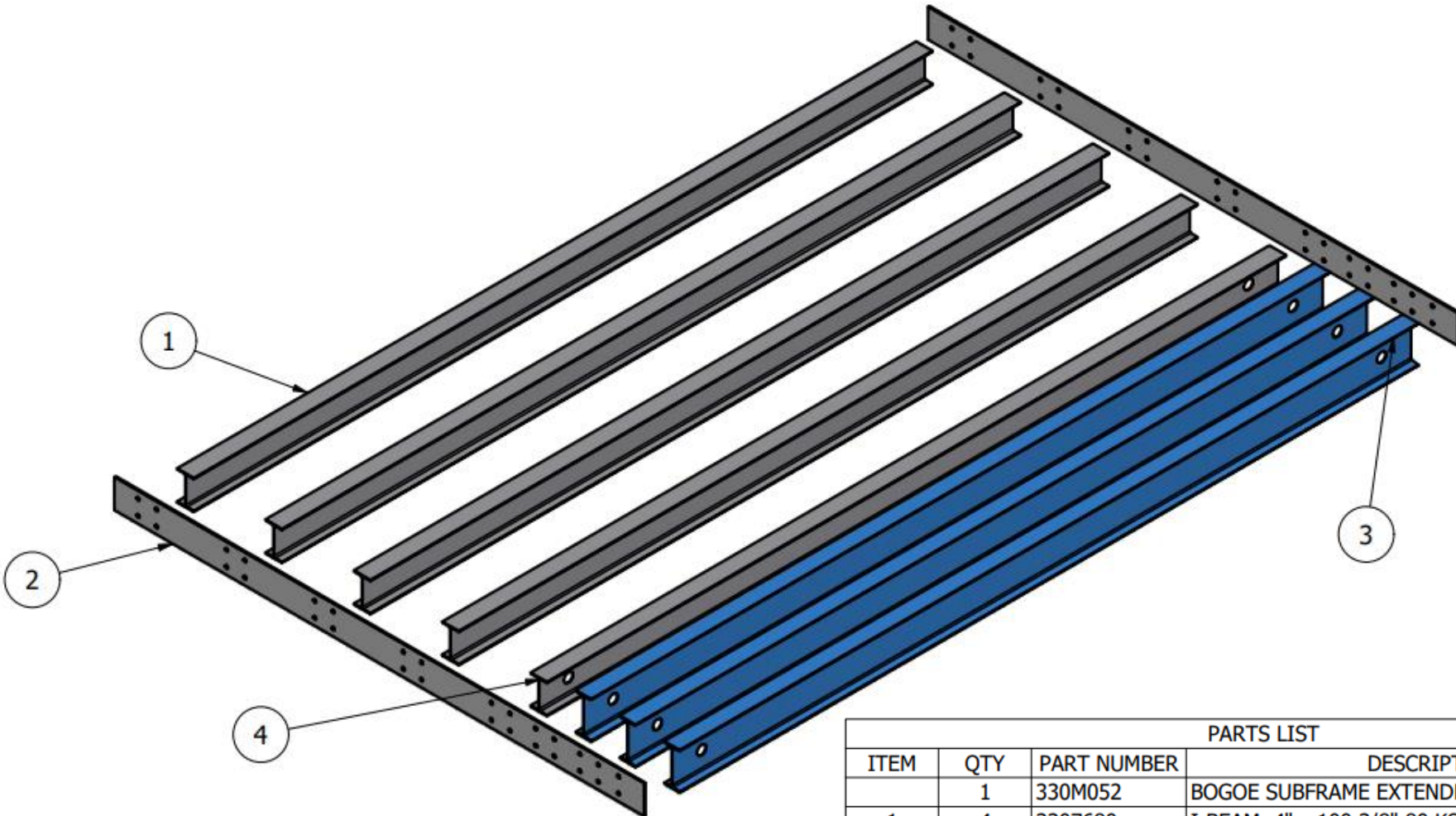
PARTS LIST			
ITEM	QTY	PART NUMBER	DESCRIPTION
	1	230M062	SUPSENSION ASSEMBLY, SPRING RIDE
1	4	2104607	AXLE STOP PIPE
2	2	2105362	SLIDER RAIL
3	1	210N043	SLIDER RAIL STOP PIPE ASSEMBLY
4	2	210N075	U-BOLT KIT ASSEMBLY
6	1	2300040	SUSPENSION SPRING RIDE
7	4	2300119	PLATE, BOTTOM
8	4	2300120	AXLE SEAT
9	4	2300159	SPRING, 3 LEAF HIGH ARCH
10	4	2300165	PLATE, TOP
11	4	600N005	KIT, SPRING HANGER FASTENERS
12	2	2300107	TORQUE ARM, NON-ADJUSTABLE
13	1	2104555	ANGLE, AIR PLATE MOUNTING
14	2	2204501	AIR TANK, MOUNTING BRACKET
15	4	2100027	GUSSET, SLIDER RAIL SUPPORT
16	2	2300151	TORQUE ARM, ADJUSTABLE

**\*INVERTED TO SHOW SUSPENSION PARTS IN DETAIL**

Go to [Hutchens Industries](https://www.hutchensindustries.com) for Hutchens Parts  
(Model # Series 10 with EZ Pull)

# BOGIE SUBFRAME EXTENDED SIDEPLATE ASSEMBLY

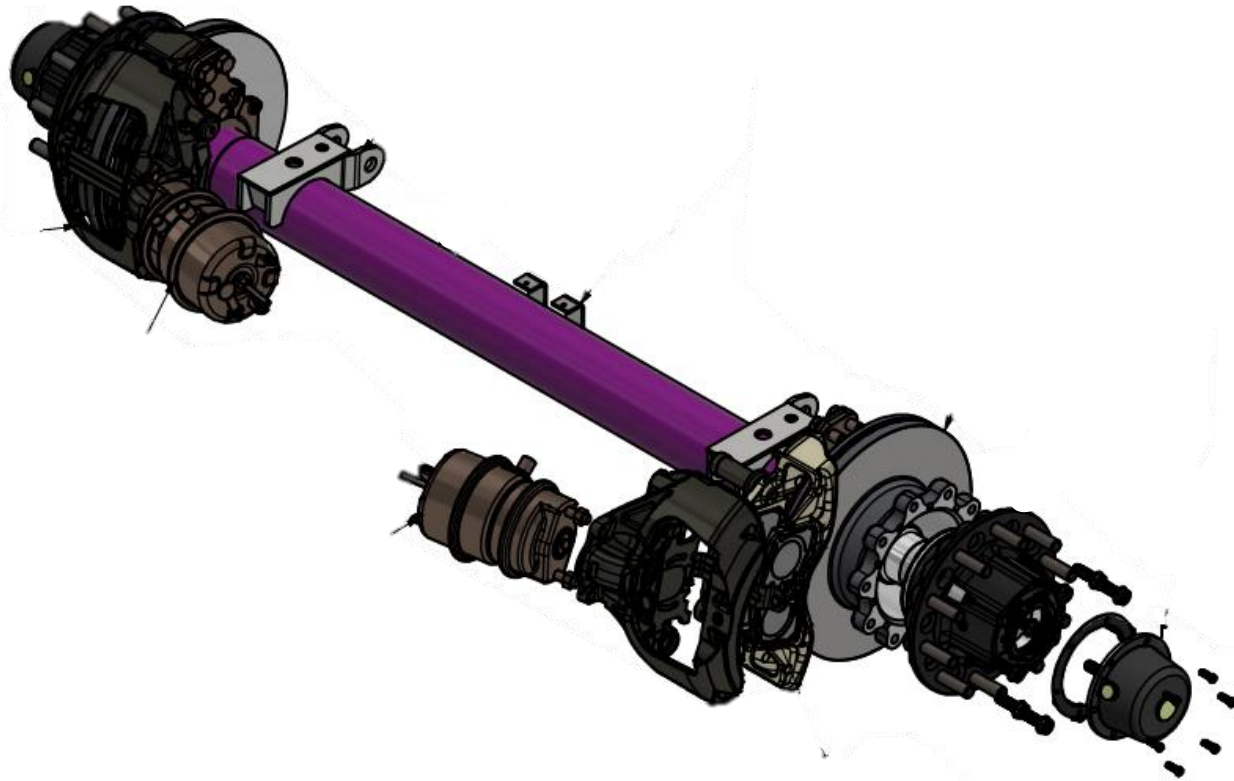
## 330M052



PARTS LIST			
ITEM	QTY	PART NUMBER	DESCRIPTION
	1	330M052	BOGIE SUBFRAME EXTENDED SIDEPLATE ASSY
1	4	3307680	I-BEAM, 4" x 100 3/8" 80 KSI
2	2	3300035	BOGIE SUB-FRAME SIDE PLATE
3	3	3307684	I-BEAM, 5" x 100 3/8", 80 KSI
4	1	3307683	I-BEAM, 4" x 100 3/8" 80 KSI

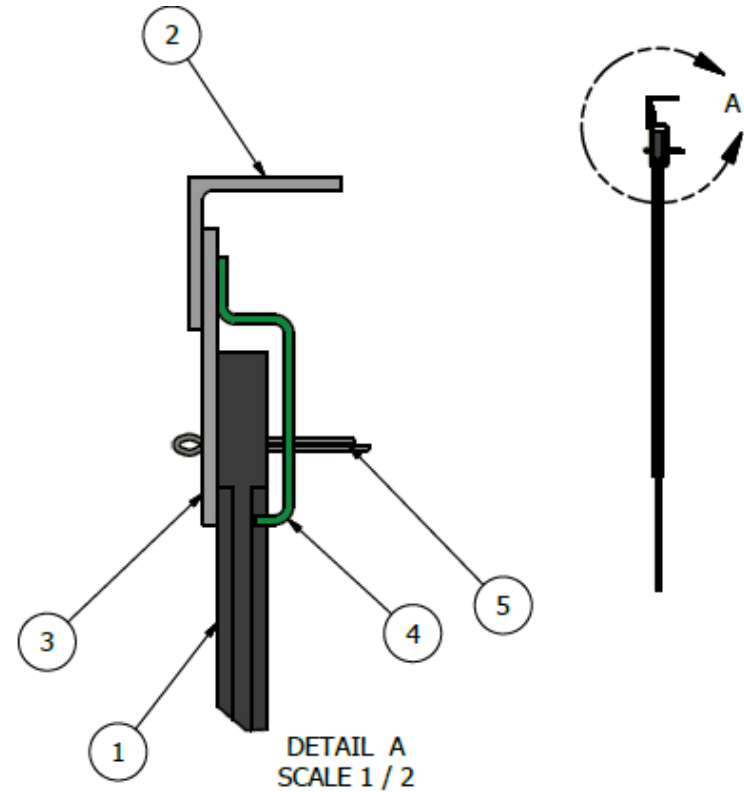
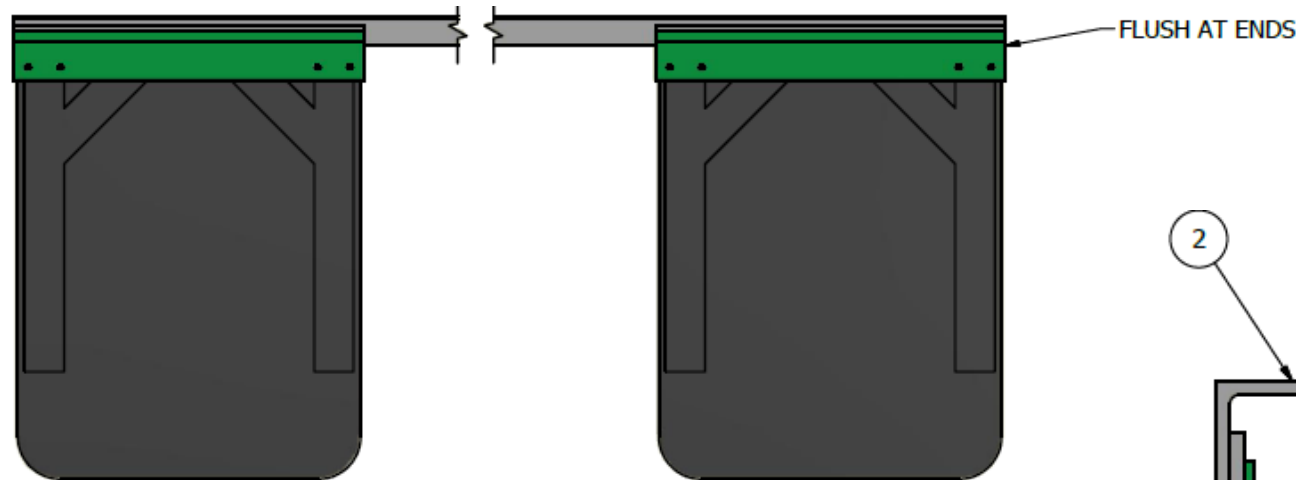
# AXLE AND WHEEL ASSEMBLY, DISC BRAKES W/ OIL

220M252



# MUDFLAP ASSEMBLY, SEMI

## 240M038

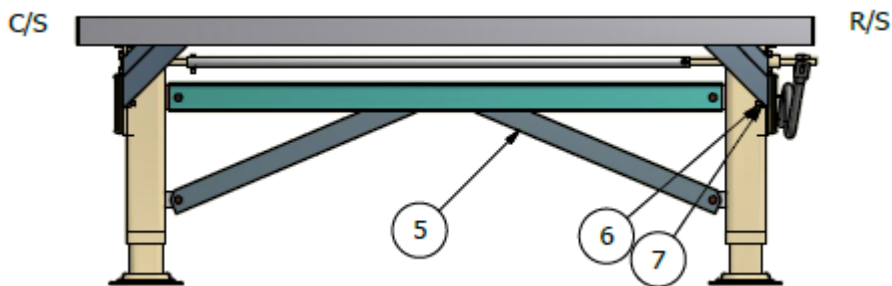
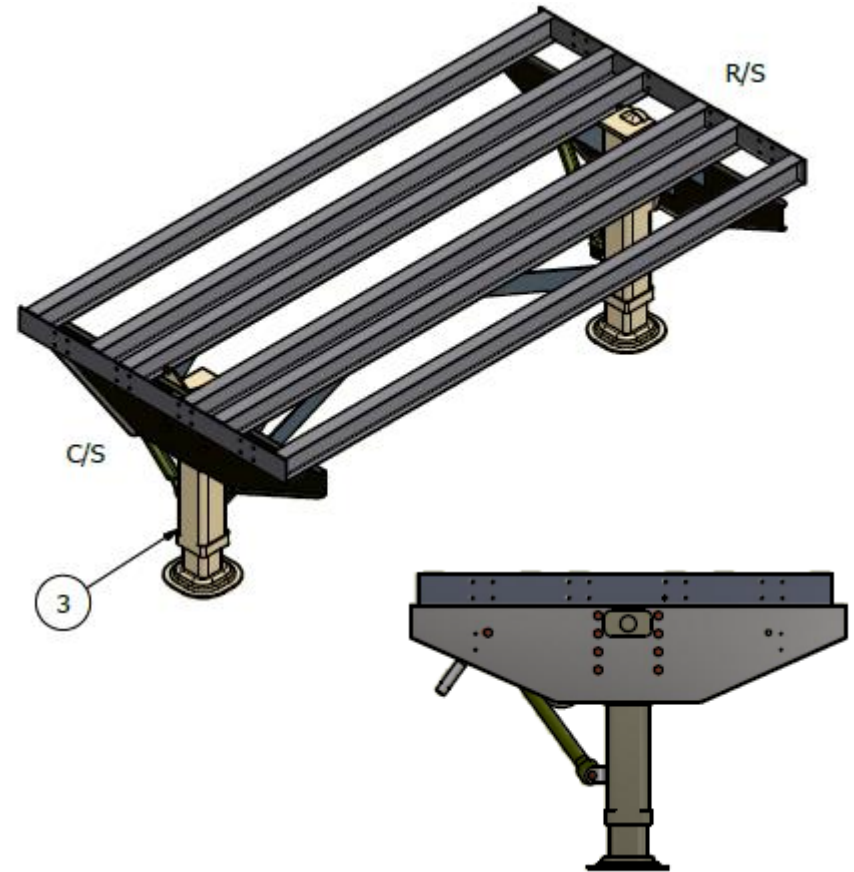
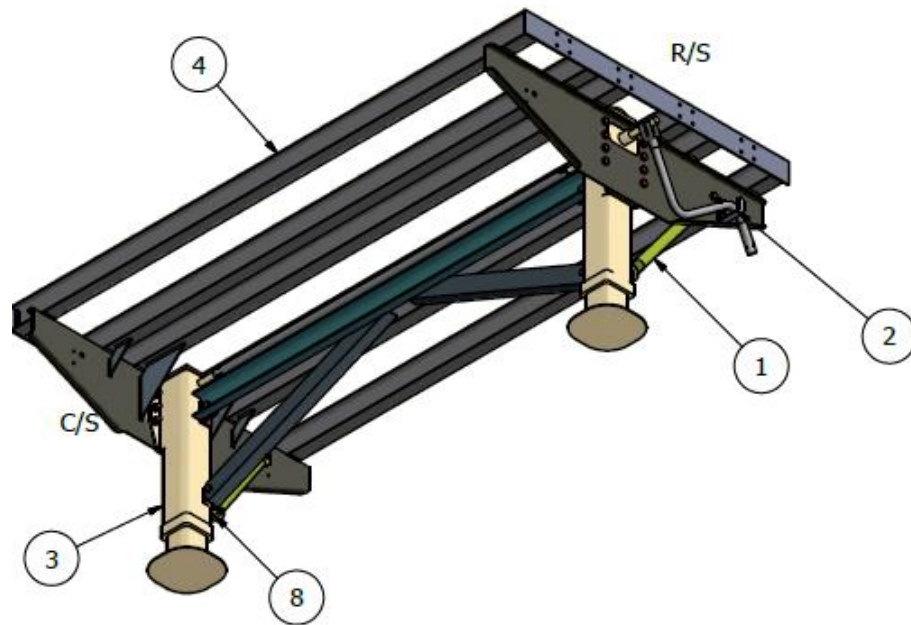


PARTS LIST			
ITEM	QTY	PART NUMBER	DESCRIPTION
1	2	2400242	MUDFLAP, QUICK-CHANGE
2	1	2400250	ANGLE, MUDFLAP MOUNT, SEMI
3	2	2400251	PLATE, MUDFLAP MOUNTING
4	2	2400272	MUDFLAP BRACKET, QUICK-CHANGE
5	4	6400403	COTTER PIN, 5/32" x 2"



# LANDING LEG ASSEMBLY

## 350M041



PARTS LIST			
ITEM	QTY	PART NUMBER	DESCRIPTION
1	2	3507232	REAR L.L. STRUT
2	1	350N045	CRANK HANDLE HOLDER
3	1	350N046	LANDING LEG ASSEMBLY
4	1	350N047	LANDING LEG SKIRT ASSEMBLY
5	1	350N049 -G	K-BRACE ASSEMBLY
6	24	6000627	BOLT, 5/8-18 x 1 3/4
7	24	6100626	NUT, 5/8-18 PINCH LOCK GRADE 5 PLATED
8	4	6200626	WASHER, 5/8 FLAT USS PLATED

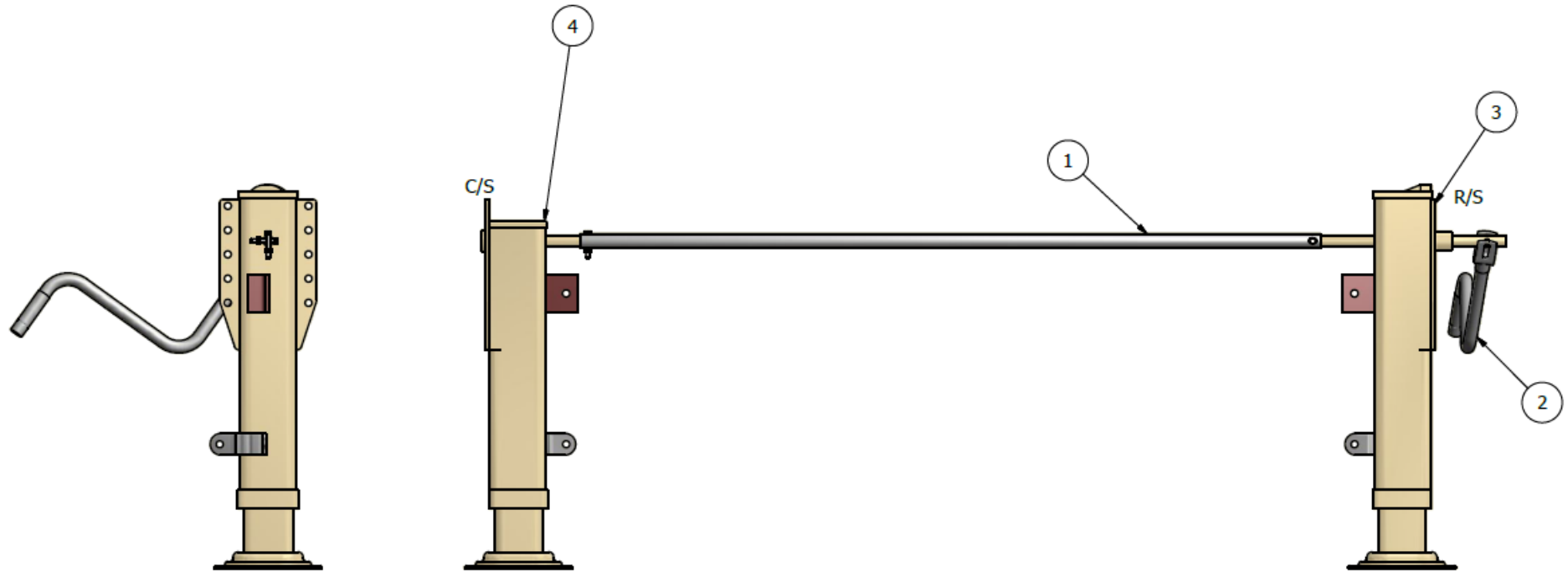
# CRANK HANDLE HOLDER ASSEMBLY

## 350N045

PARTS LIST			
ITEM	QTY	PART NUMBER	DESCRIPTION
1	1	3500559 -G	HOLDER, CRANK HANDLE
2	2	6000275	BOLT, 1/4 - 20 x 3/4" GRADE 8 PLATED
3	2	6100258	NUT, 1/4 - 20 LOCK
4	2	6200252	WASHER, 1/4" SAE FLAT PLATED

# LANDING LEG ASSEMBLY

## 350N046

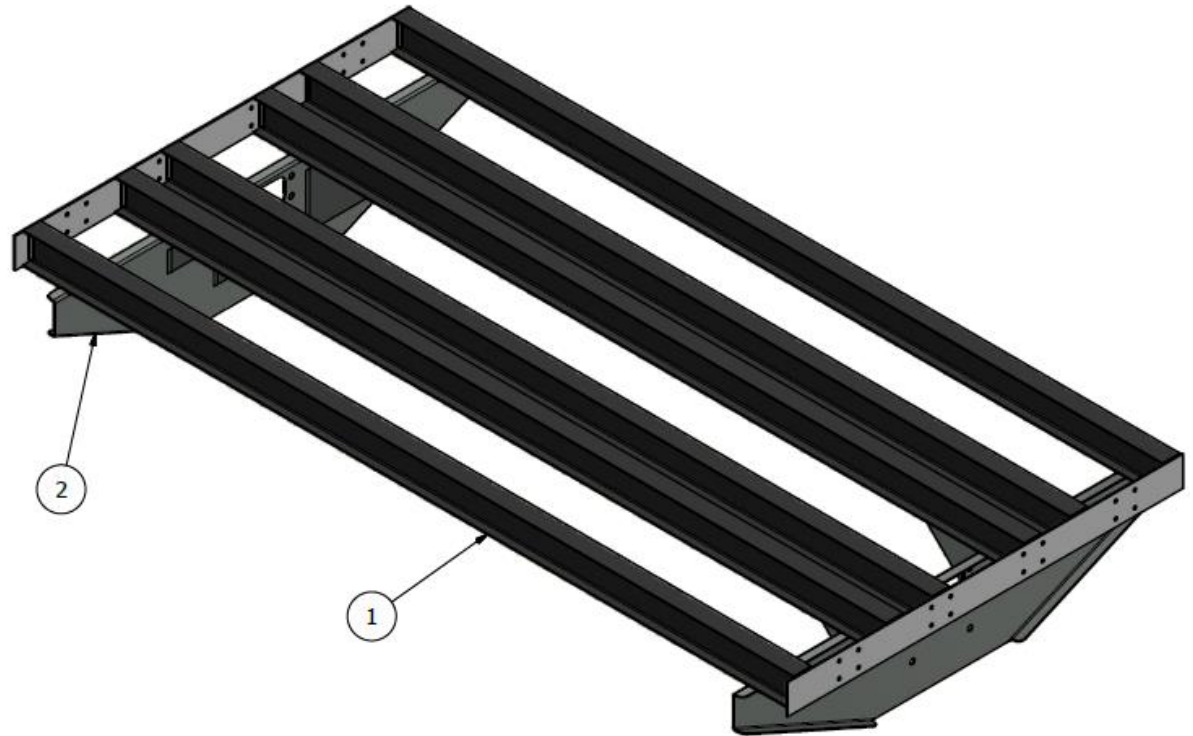
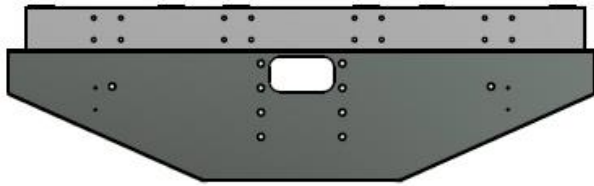


PARTS LIST			
ITEM	QTY	PART NUMBER	DESCRIPTION
1	1	3500140	CROSS SHAFT, LANDING LEG, 68.75"
2	1	3500148	LANDING LEG CRANK HANDLE
3	1	3500564	MASTER LANDING LEG, INBOARD
4	1	3500565	SLAVE LANDING LEG, INBOARD



# LANDING LEG SKIRT ASSEMBLY

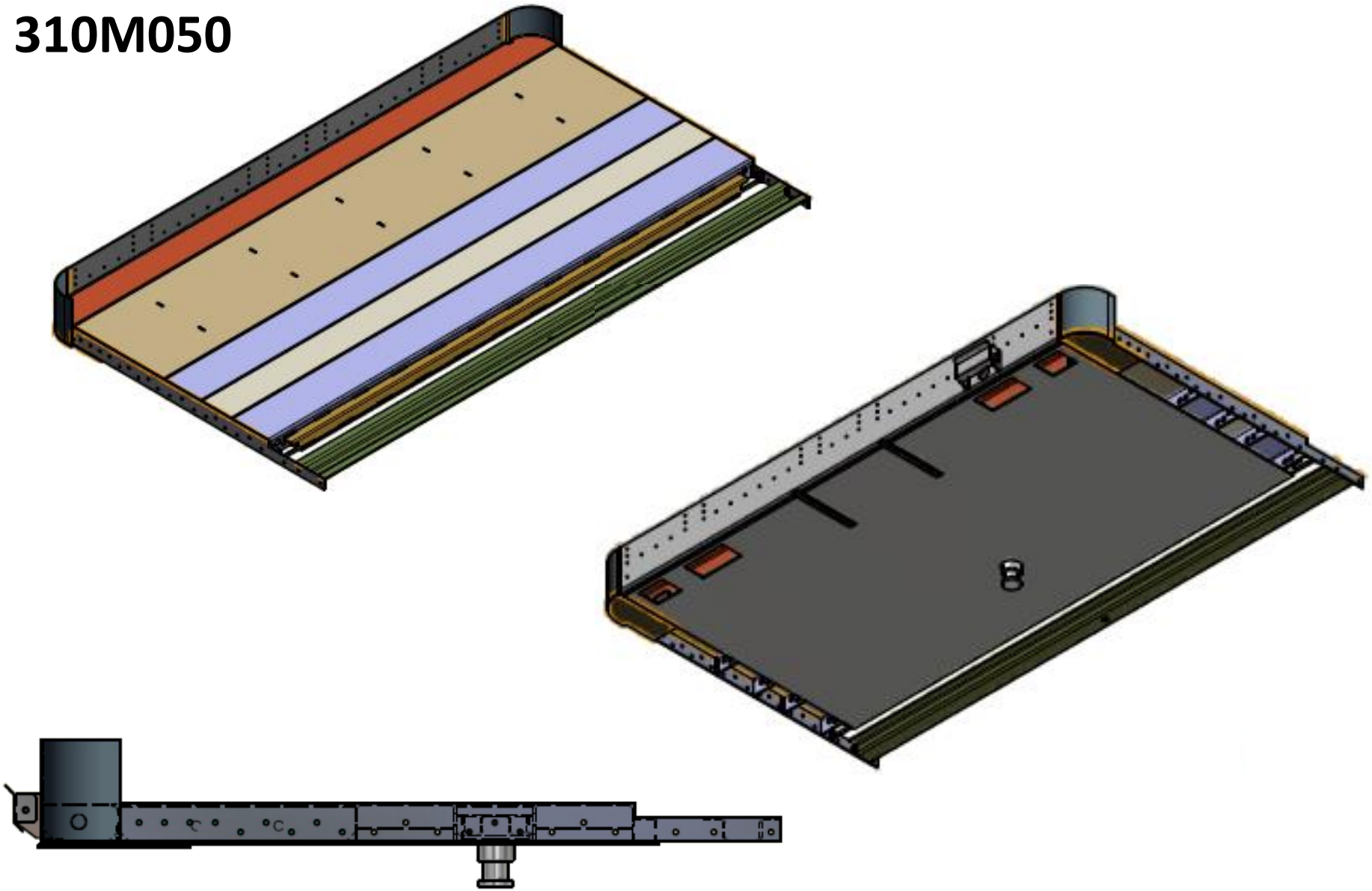
## 350N047



PARTS LIST			
ITEM	QTY	PART NUMBER	DESCRIPTION
1	1	320N041	L.L. CROSS MEMBER ASSEMBLY
2	2	350N048 -G	L.L. SKIRT SUB-ASSEMBLY

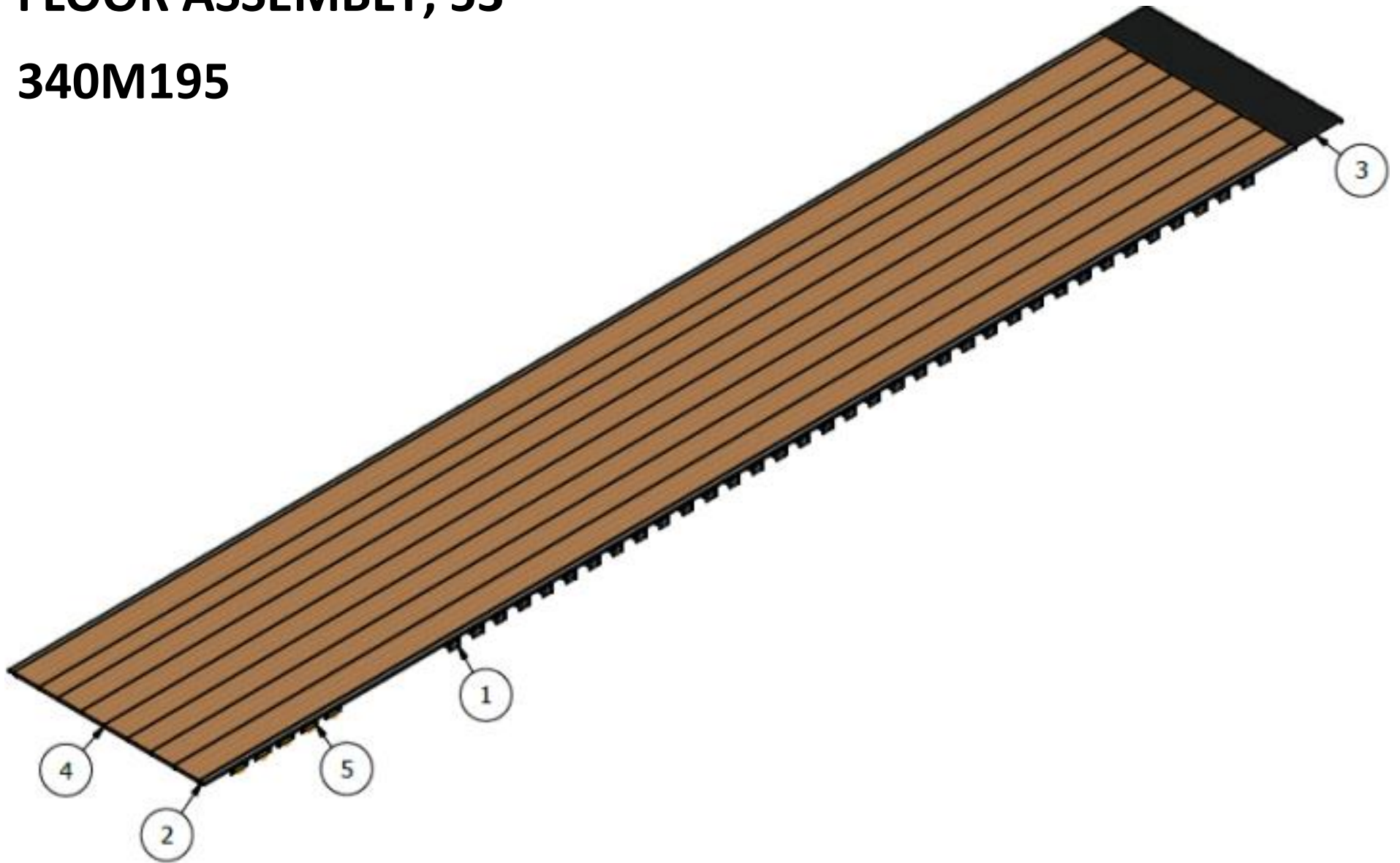
# UPPER COUPLER ASSEMBLY, SEMI

310M050



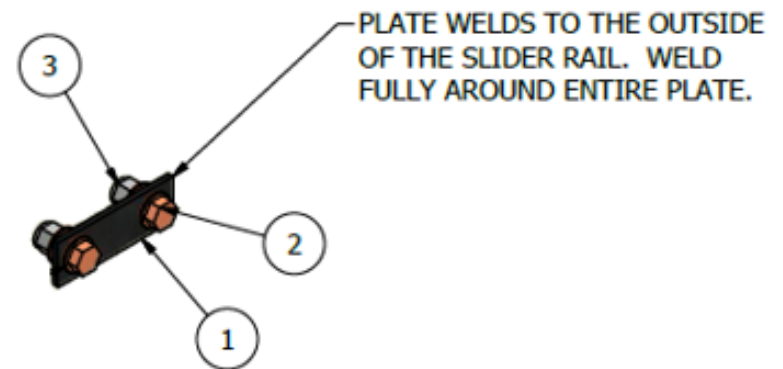
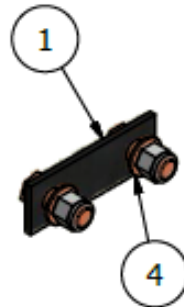
# FLOOR ASSEMBLY, 53'

340M195



# BUMPER ATTACHMENT, SEMI

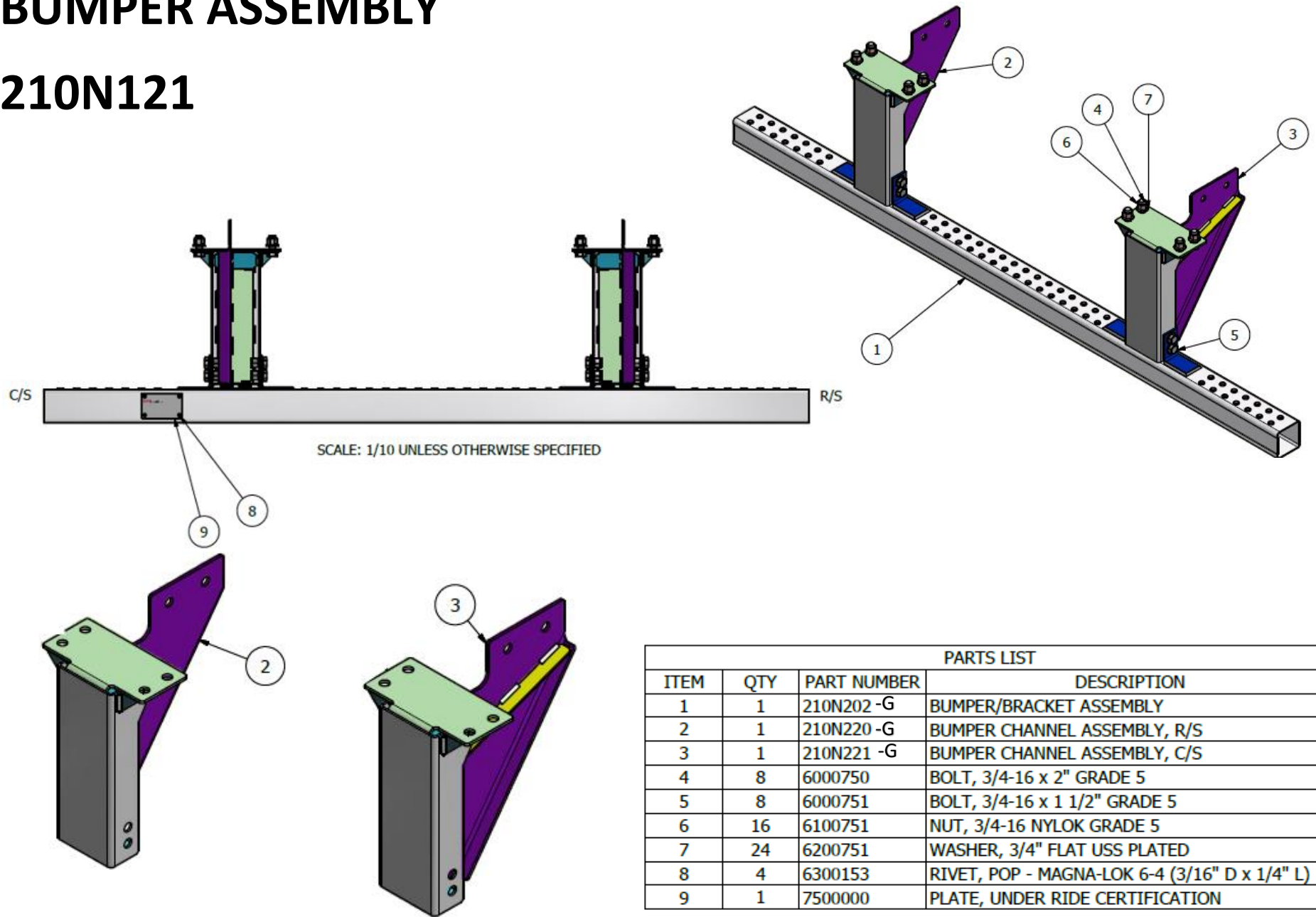
## 210N123



PARTS LIST			
ITEM	QTY	PART NUMBER	DESCRIPTION
1	2	2100524	BUMPER TO SLIDER PLATE
2	4	6000757	BOLT, 3/4"-16 x 2" GRADE 8 PLATED
3	4	6100263	NYLOK NUT, 3/4-16 GRADE 8
4	8	6200751	WASHER, 3/4" ALLOY

# BUMPER ASSEMBLY

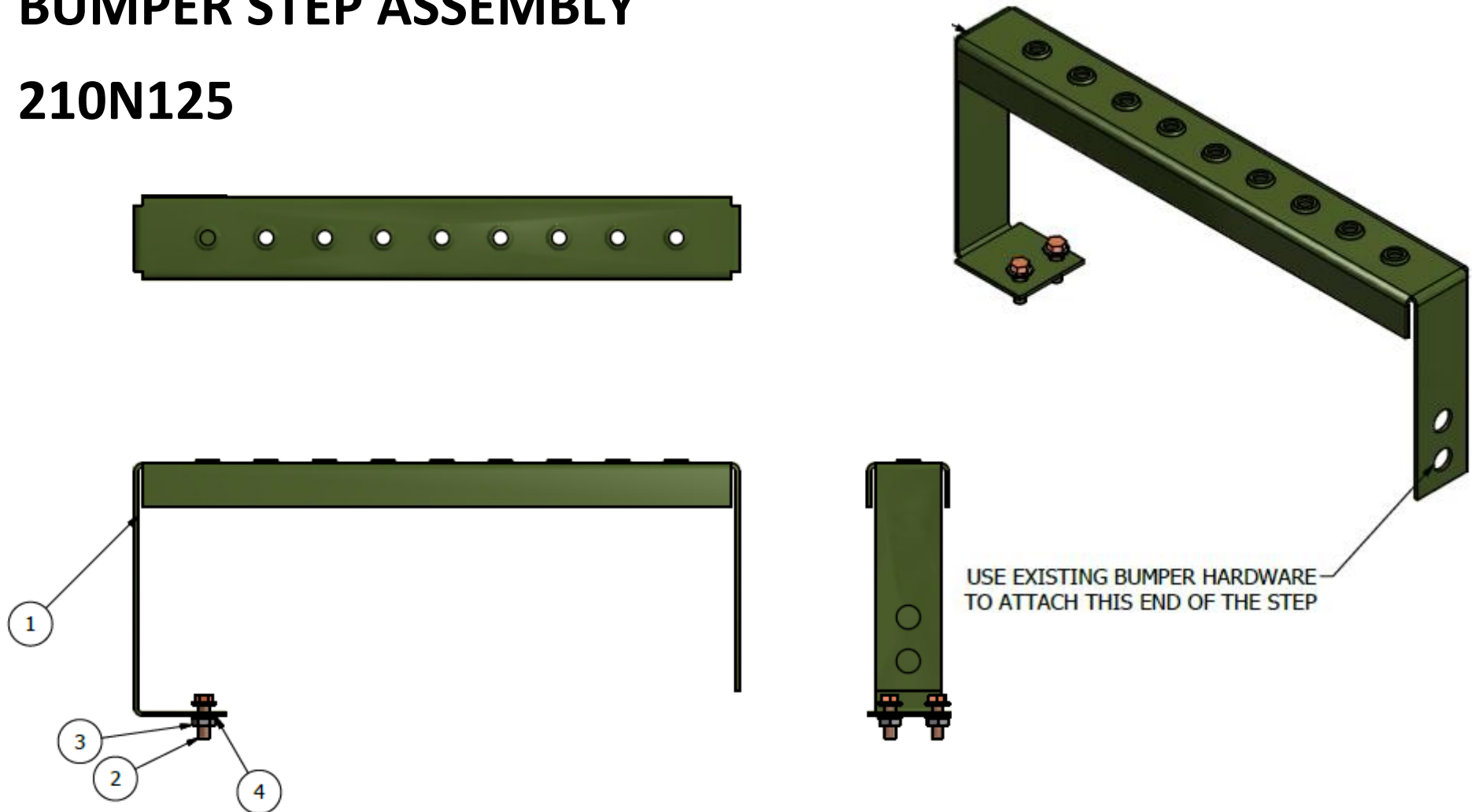
## 210N121





# BUMPER STEP ASSEMBLY

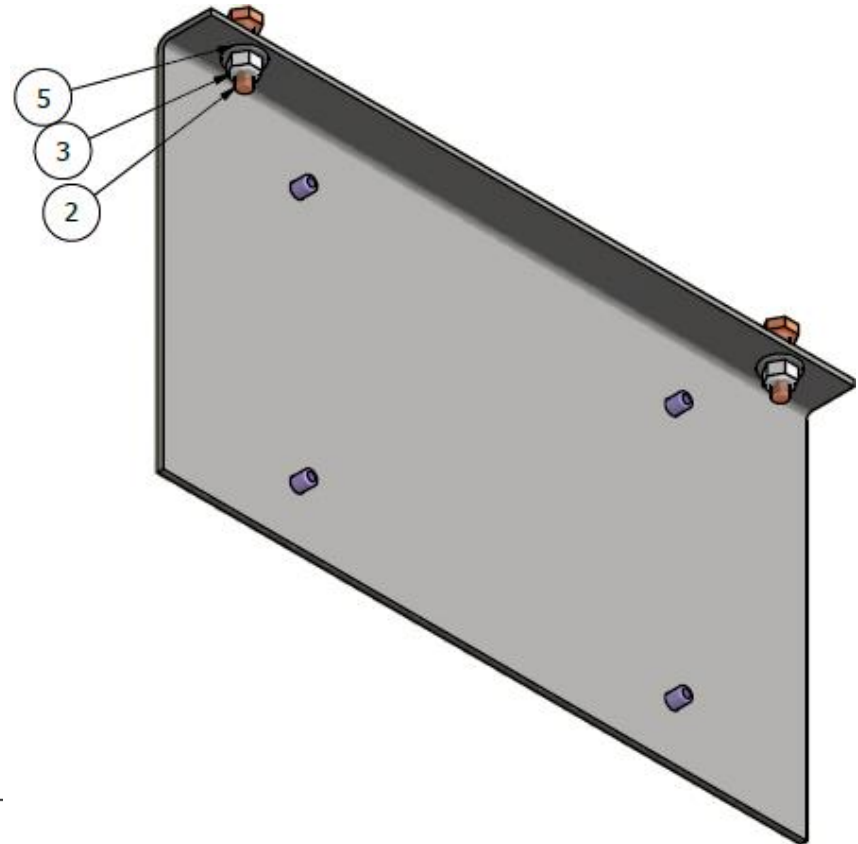
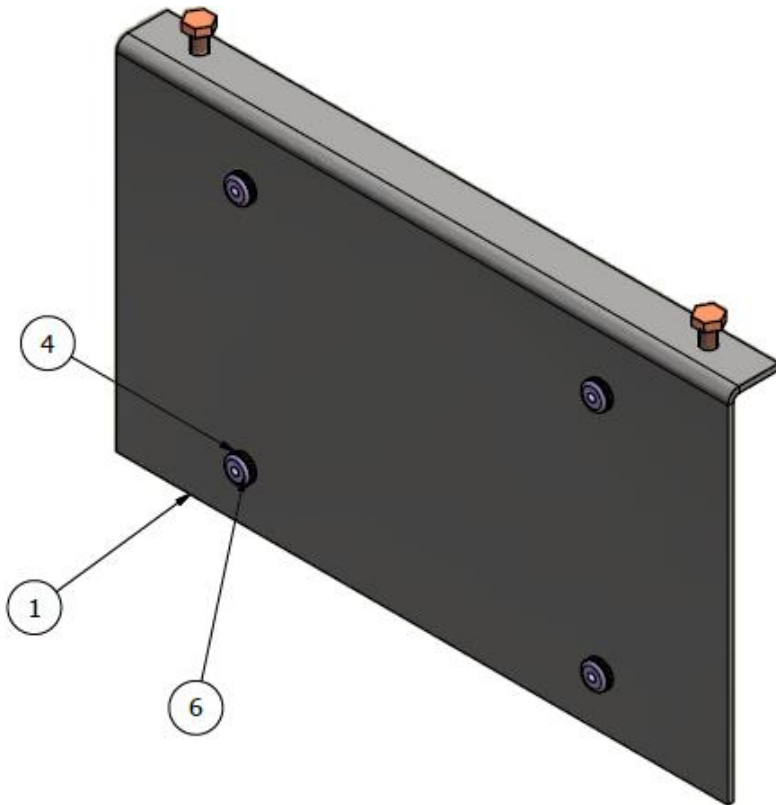
## 210N125



PARTS LIST			
ITEM	QTY	PART NUMBER	DESCRIPTION
1	1	2100378	BUMPER STEP
2	2	6000375	BOLT, 3/8-16 x 1 1/4" GRADE 8
3	2	6100381	NUT, 3/8-16 LOCK CROWN GRADE 8
4	4	6200378	WASHER, 3/8" FLAT SAE PLATED

# LICENSE PLATE BRACKET ASSEMBLY, SEMI

## 240N290

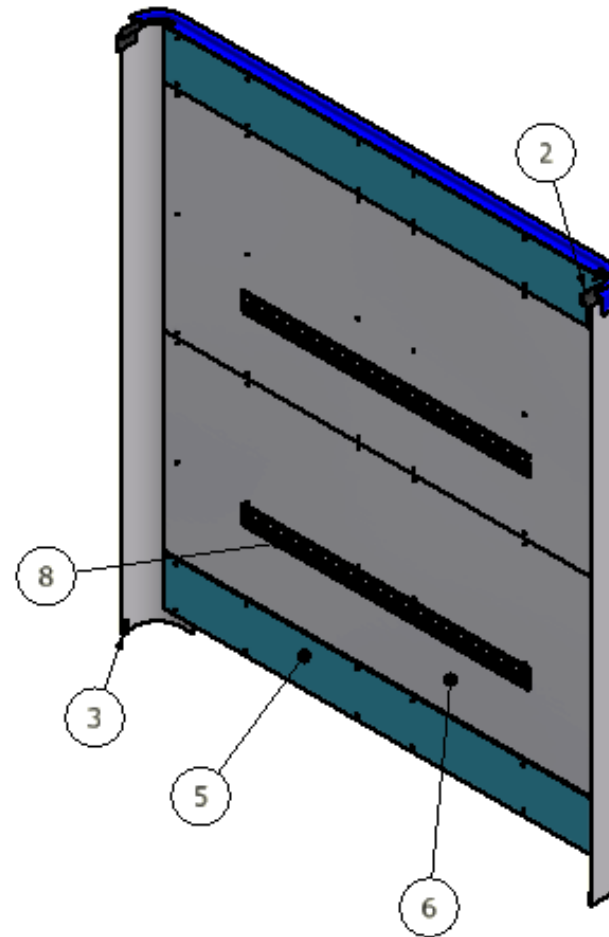
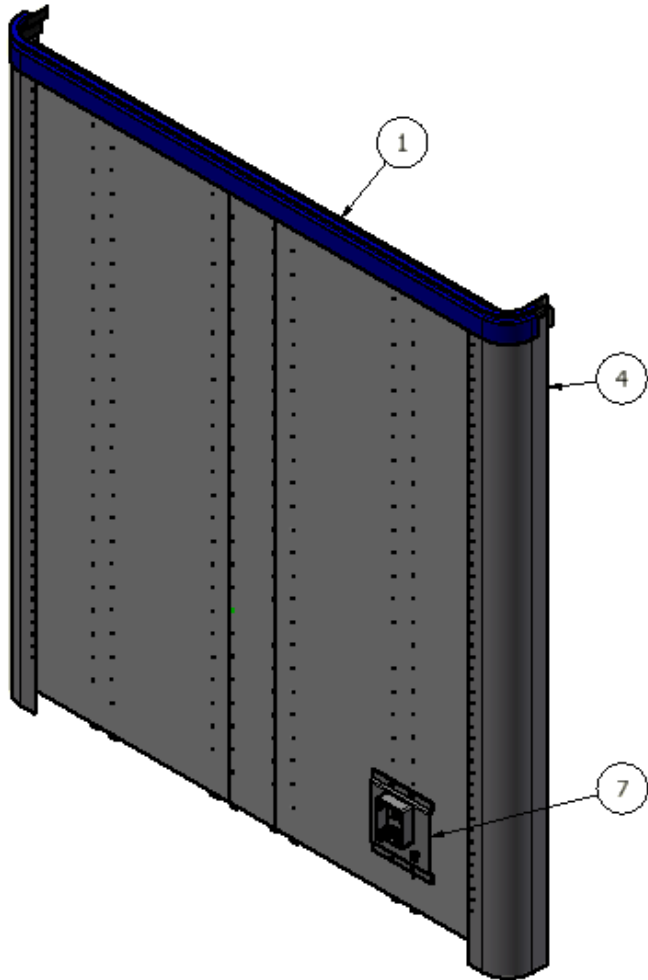


PARTS LIST			
ITEM	QTY	PART NUMBER	DESCRIPTION
1	1	2400290	BRACKET, LICENSE PLATE
2	2	6000254	BOLT, 1/4-20 x 1" GRADE 8 PLATED
3	2	6100253	NUT, 1/4-20 NYLOK GRADE 5 PLATED
4	8	6200101	WASHER, NYLON - 1/4" x 1/2" x 1/16"
5	2	6200252	WASHER, 1/4" SAE FLAT PLATED
6	4	6300128	RIVET, POP - SSDSS-8-4 (1/4" D x 1/4" L)



# FORWARD WALL ASSEMBLY, 48' & 53'

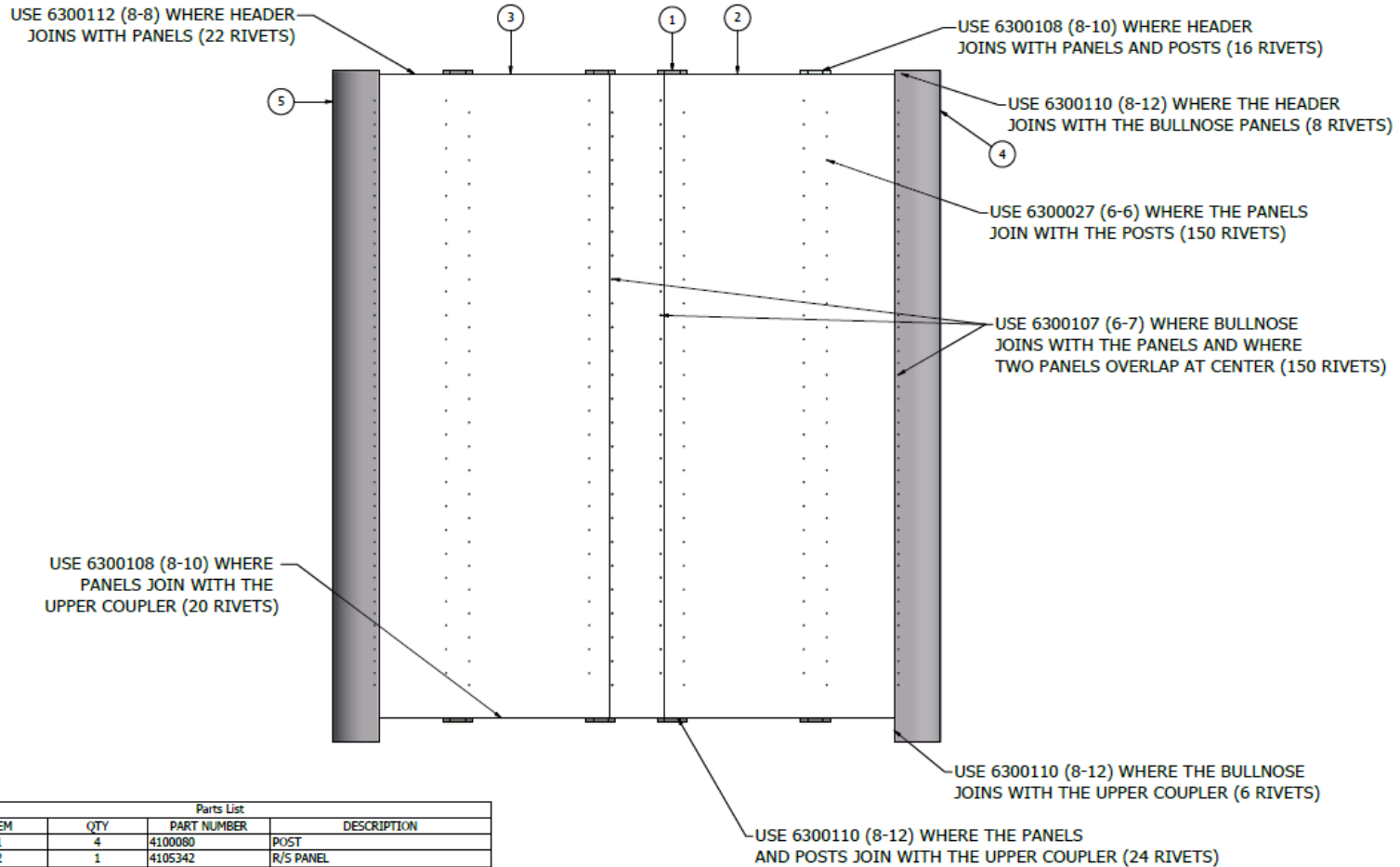
## 410M127



PARTS LIST			
ITEM	QTY	PART NUMBER	DESCRIPTION
1	1	4100129	FWD WALL HEADER
2	2	4100407	UPPER RAIL SUPPORT
3	2	4100430	BULLNOSE SHIM
4	1	410N117	PANEL ASSEMBLY
5	1	410N144	FORWARD WALL SCUFF LINER
6	1	410N147	FWD WALL LINER - SEMI
7	1	410N149	AIR KIT PLATE ASSEMBLY
8	1	410N151	HORIZONTAL TRACK ASSEMBLY

# PANEL ASSEMBLY

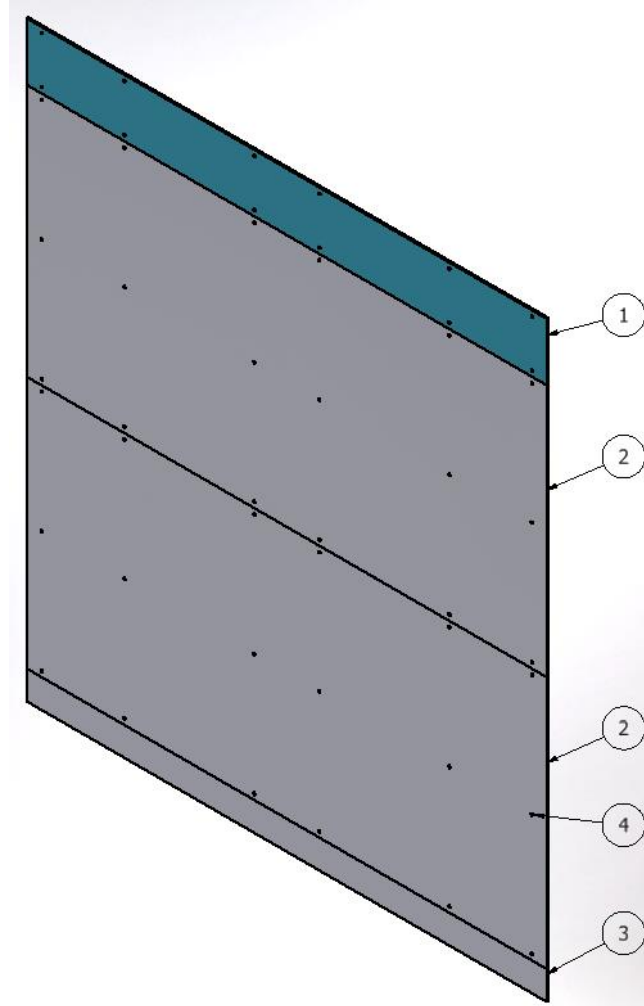
## 410N117



Parts List			
ITEM	QTY	PART NUMBER	DESCRIPTION
1	4	4100080	POST
2	1	4105342	R/S PANEL
3	1	4105343	C/S PANEL
4	1	4105344	R/S BULLNOSE EXTRUSION
5	1	4105345	C/S BULLNOSE EXTRUSION
6	2	6000363	BOLT, 3/8"-16 x 1 1/4"
7	2	6000364	BOLT, 3/8"-16 x 1 3/4"
8	4	6100377	NUT, 3/8"-16
9	0.290 lb	6300027	RIVET, SOLID - AN455AD 6-6
10	0.313 lb	6300107	RIVET, SOLID - AN455AD 6-7
11	0.185 lb	6300108	RIVET, SOLID - AN455AD 8-10
12	0.219 lb	6300110	RIVET, SOLID - AN455AD 8-12
13	0.099 lb	6300112	RIVET, SOLID - AN455AD 8-8

# FORWARD WALL LINER ASSEMBLY, 48' & 53'

410N147

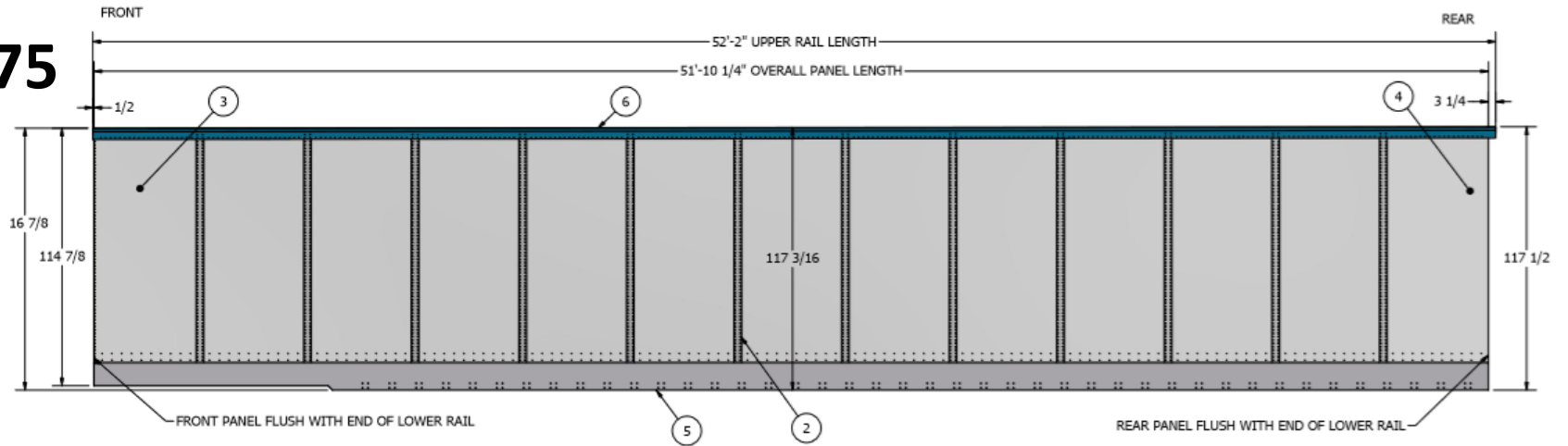


ITEM	QTY	PART NUMBER	DESCRIPTION
1	1	4100064	FORWARD WALL KICK PLATE
2	2	4100065	FORWARD WALL LINER
3	1	4100069	FORWARD WALL LINER, TOP, SEMI
4	48	6400207	SCREW, 1/4-20 x 1" TORX HEAD, COUNTERSUNK

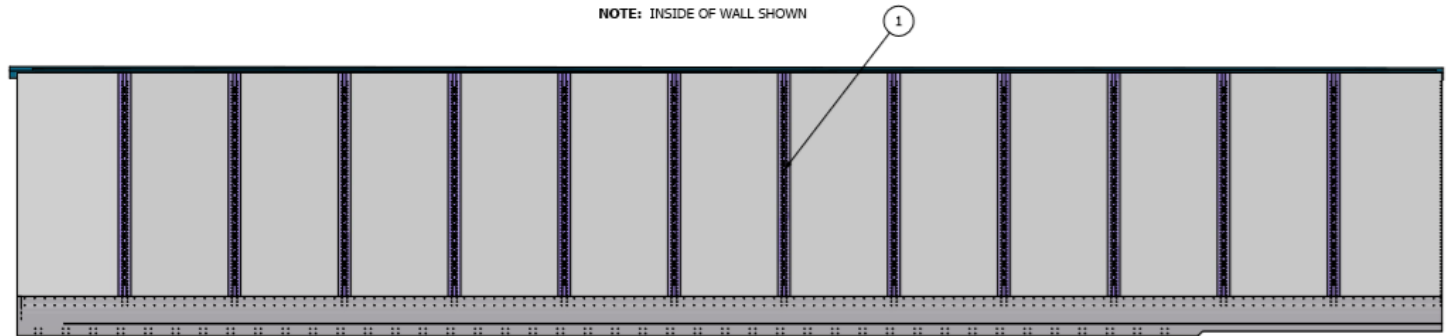
# R/S SIDEWALL ASSEMBLY, 53' NATURAL INNER SURFACE

NOTE: OUTSIDE OF WALL SHOWN

## 422N075



NOTE: INSIDE OF WALL SHOWN



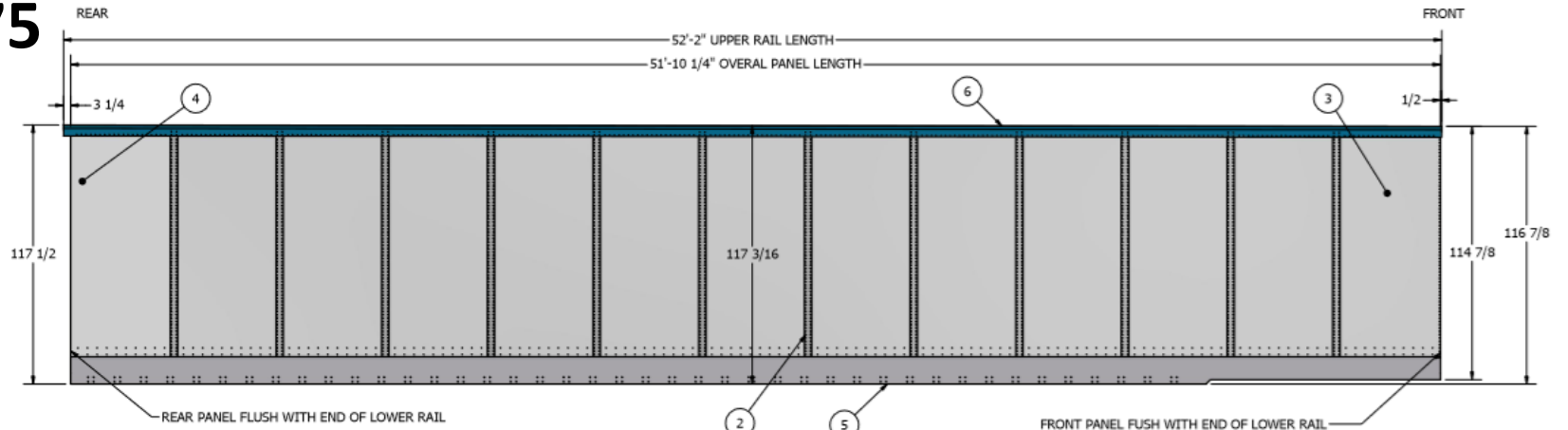
### PARTS LIST

ITEM	QTY	PART NUMBER	DESCRIPTION
1	12	4201116	LOGISTIC SIDEWALL POST
2	12	4201118	OUTER STRIP, PUNCHED
3	12	4201186	COMPOSITE SIDEWALL PANEL
4	1	4201187	REAR SIDEWALL PANEL
5	1	4202021	LOWER RAIL, R/S
6	1	4203021	UPPER RAIL - R/S
7	185	6000352	PIN, HUCK C6LB-R12-6GA ZINC
8	18	6000363	BOLT, 3/8-16 x 1-1/4 TORX
9	185	6100352	COLLAR, HUCK - GALVANIZED
10	18	6100377	NUT, 3/8-16 NYLOK PLATED
11	0.38 lb	6300097	RIVET, SOLID - AN455AD 8-16
12	0.04 lb	6300098	RIVET, SOLID - AN455AD 8-18
13	7.76 lb	6300108	RIVET, SOLID - AN455AD 8-10
14	2.20 lb	6300110	RIVET, SOLID - AN455AD 8-12
15	2.04 lb	6300129	RIVET, SOLID - AN455AD 8-14

# C/S SIDEWALL ASSEMBLY, 53' NATURAL INNER SURFACE

NOTE: OUTSIDE OF WALL SHOWN

## 421N075



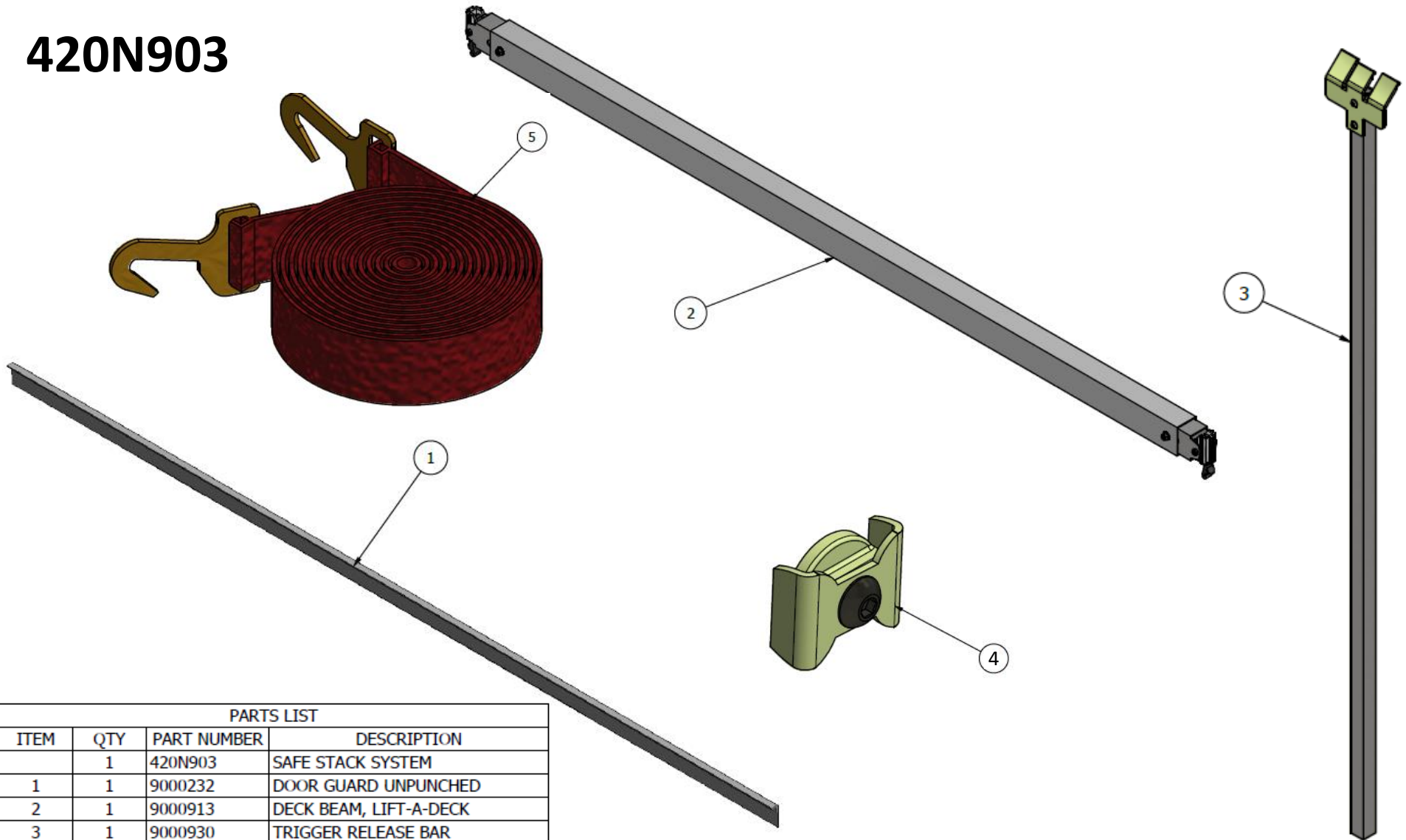
NOTE: INSIDE OF WALL SHOWN



PARTS LIST			
ITEM	QTY	PART NUMBER	DESCRIPTION
1	12	4201116	LOGISTIC SIDEWALL POST
2	12	4201118	OUTER STRIP, PUNCHED
3	12	4201186	COMPOSITE SIDEWALL PANEL
4	1	4201187	REAR SIDEWALL PANEL
5	1	4202022	LOWER RAIL, C/S
6	1	4203022	UPPER RAIL - C/S
7	185	6000352	PIN, HUCK C6LB-R12-6GA ZINC
8	18	6000363	BOLT, 3/8-16 x 1-1/4 TORX
9	185	6100352	COLLAR, HUCK - GALVANIZED
10	18	6100377	NUT, 3/8-16 NYLOK PLATED
11	0.38 lb	6300097	RIVET, SOLID - AN455AD 8-16
12	0.04 lb	6300098	RIVET, SOLID - AN455AD 8-18
13	7.76 lb	6300108	RIVET, SOLID - AN455AD 8-10
14	2.20 lb	6300110	RIVET, SOLID - AN455AD 8-12
15	2.04 lb	6300129	RIVET, SOLID - AN455AD 8-14

# SAFE STACK SYSTEM

## 420N903

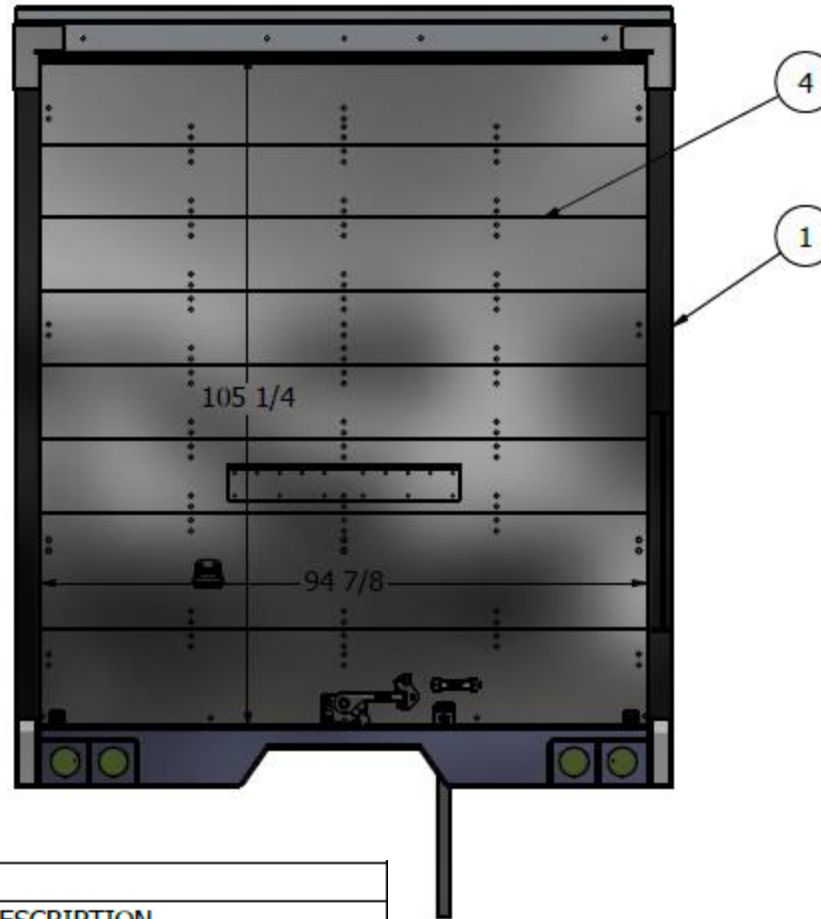


PARTS LIST			
ITEM	QTY	PART NUMBER	DESCRIPTION
	1	420N903	SAFE STACK SYSTEM
1	1	9000232	DOOR GUARD UNPUNCHED
2	1	9000913	DECK BEAM, LIFT-A-DECK
3	1	9000930	TRIGGER RELEASE BAR
4	1	9000931	BEAM STOP
5	1	9000932	CARGO STRAP



# ROLL UP DOOR ASSEMBLY

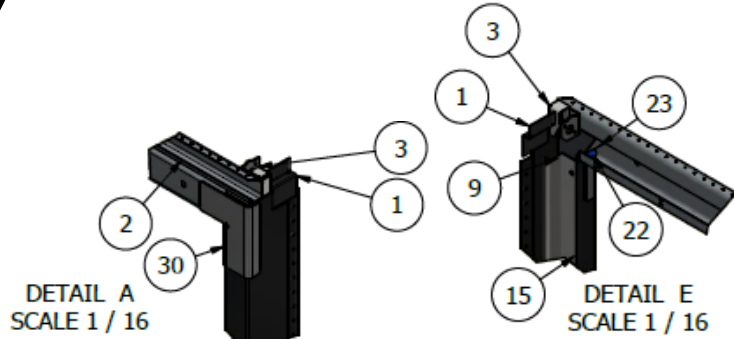
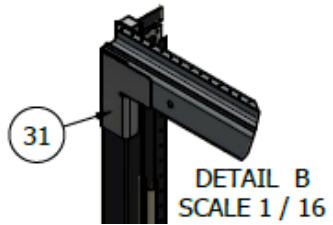
## 500M108



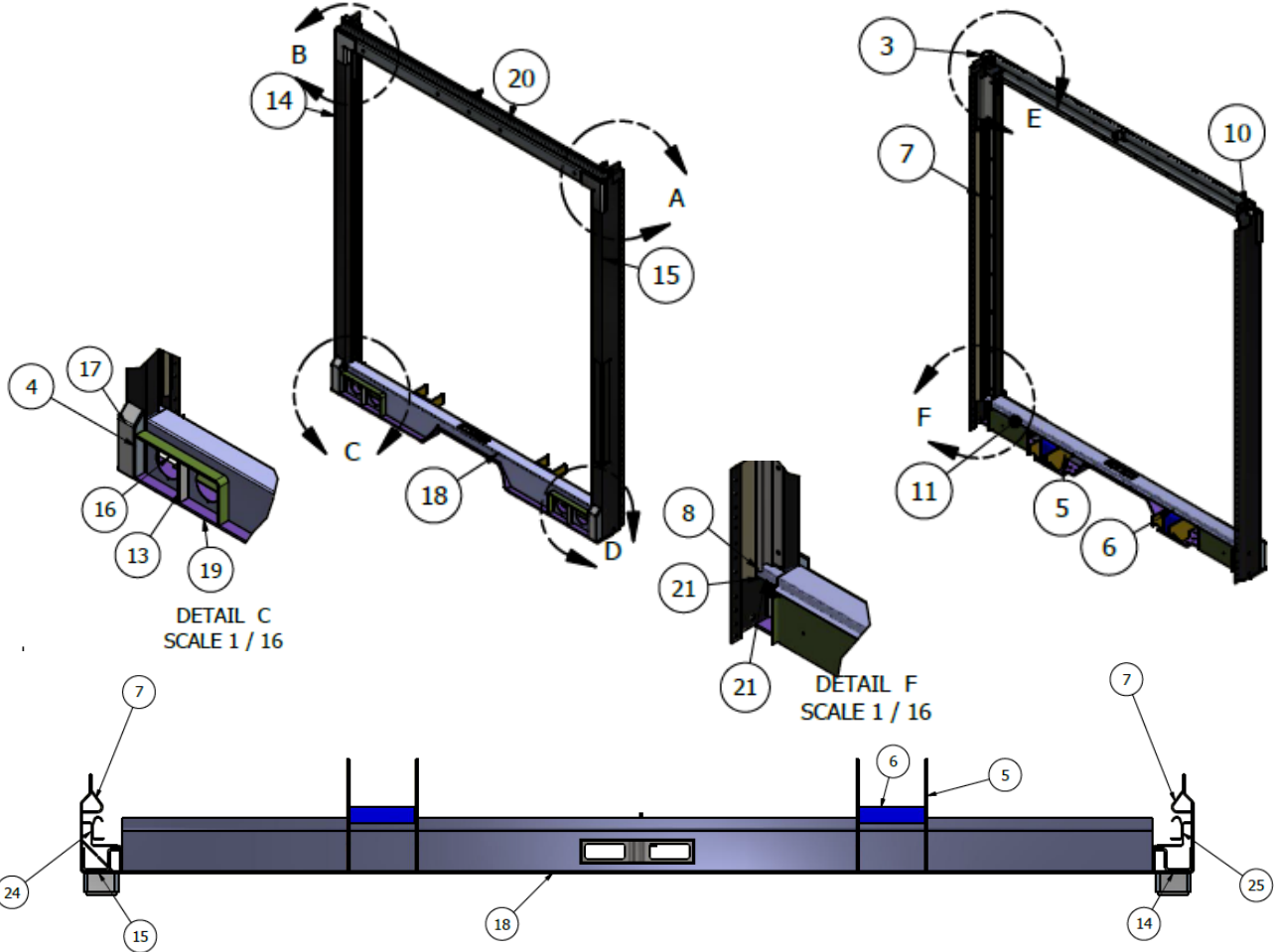
PARTS LIST			
ITEM	QTY	PART NUMBER	DESCRIPTION
1	1	430M040 -G	DOOR FRAME ASSEMBLY
2	1	4300593	DOOR FRAME GUSSET - C/S
3	1	4300594	DOOR FRAME GUSSET - R/S
4	1	4300630	DOOR, ROLL-UP, 1/4" COMPOSITE

# DOOR FRAME ASSEMBLY

## 430M040-G



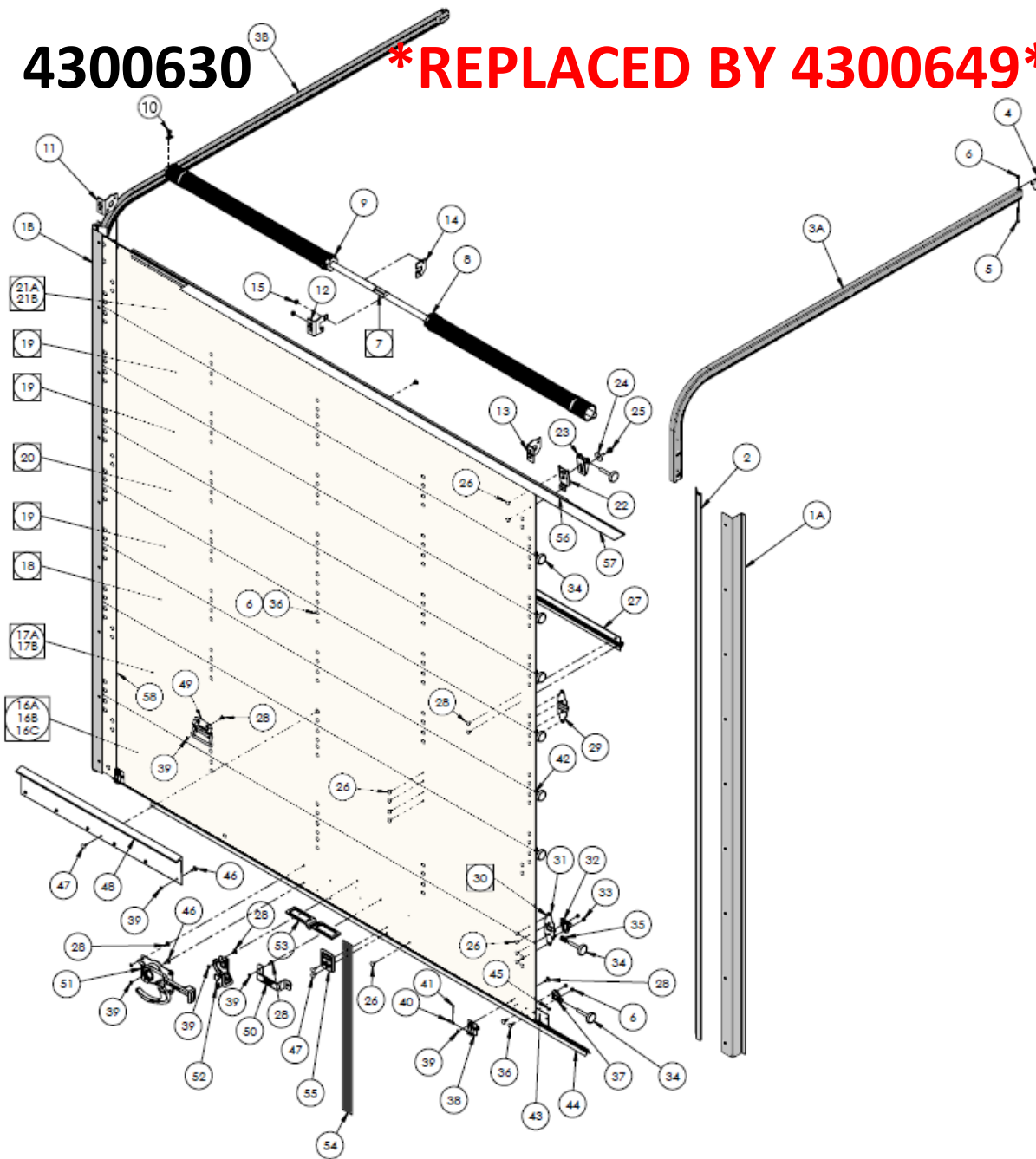
PARTS LIST			
ITEM	QTY	PART NUMBER	DESCRIPTION
1	2	4100407	SUPPORT, UPPER RAIL 53'
2	1	4300206	ANGLE, RAIN GUTTER - CARBON
3	1	4300564	C/S DOOR FRAME GUSSET
4	4	4300567	DOOR FRAME CORNER GUARD
5	4	4300570	BUMPER MOUNT GUSSET
6	2	4300571	BUMEPR MOUNTING PLATE
7	2	4300582	DOOR TRACK GUARD
8	2	4300583	DOOR POST SPACER
9	2	4300584	FRONT CORNER GUSSET
10	1	4300590	R/S DOOR FRAME GUSSET
11	2	4300591	TAIL LIGHT COVER PLATE
12	2	4300598	DOOR POST REINFORCEMENT
13	2	4300632	TAIL LIGHT CENTER GUARD, HD
14	1	4300636 -G	R/S DOOR POST
15	1	4300637 -G	C/S DOOR POST
16	2	4300638	TAIL LIGHT GUARD, HD
17	2	4300639	DOOR FRAME REINFORCEMENT
18	1	4300642 -G	DOOR SILL - FORMED
19	1	4300643	DOOR SILL SUPPORT PLATE
20	1	4300979 -G	DOOR HEADER
21	2	4300993	GUSSET, DOOR SILL FILLER
22	2	4306229	HEADER HARNESS PROTECTOR
23	2	4306236	REAR CORNER GUSSET
24	1	50403.013368	C/S VERTICAL TRACK
25	1	50403.023368	R/S VERTICAL TRACK
26	1	59314.1000	C/S SPRING BRACKET
27	1	59314.2000	R/S SPRING BRACKET
28	1	59317	CENTER SPRING BRACKET
29	1	70339	TODCO DOOR LATCH PLATE
30	1	9000025	C/S DOOR FRAME BRACKET
31	1	9000026	R/S DOOR FRAME BRACKET



# TODCO ROLL UP DOOR REPLACEMENT

4300630

**\*REPLACED BY 4300649\***

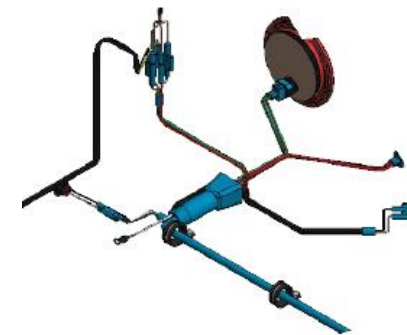
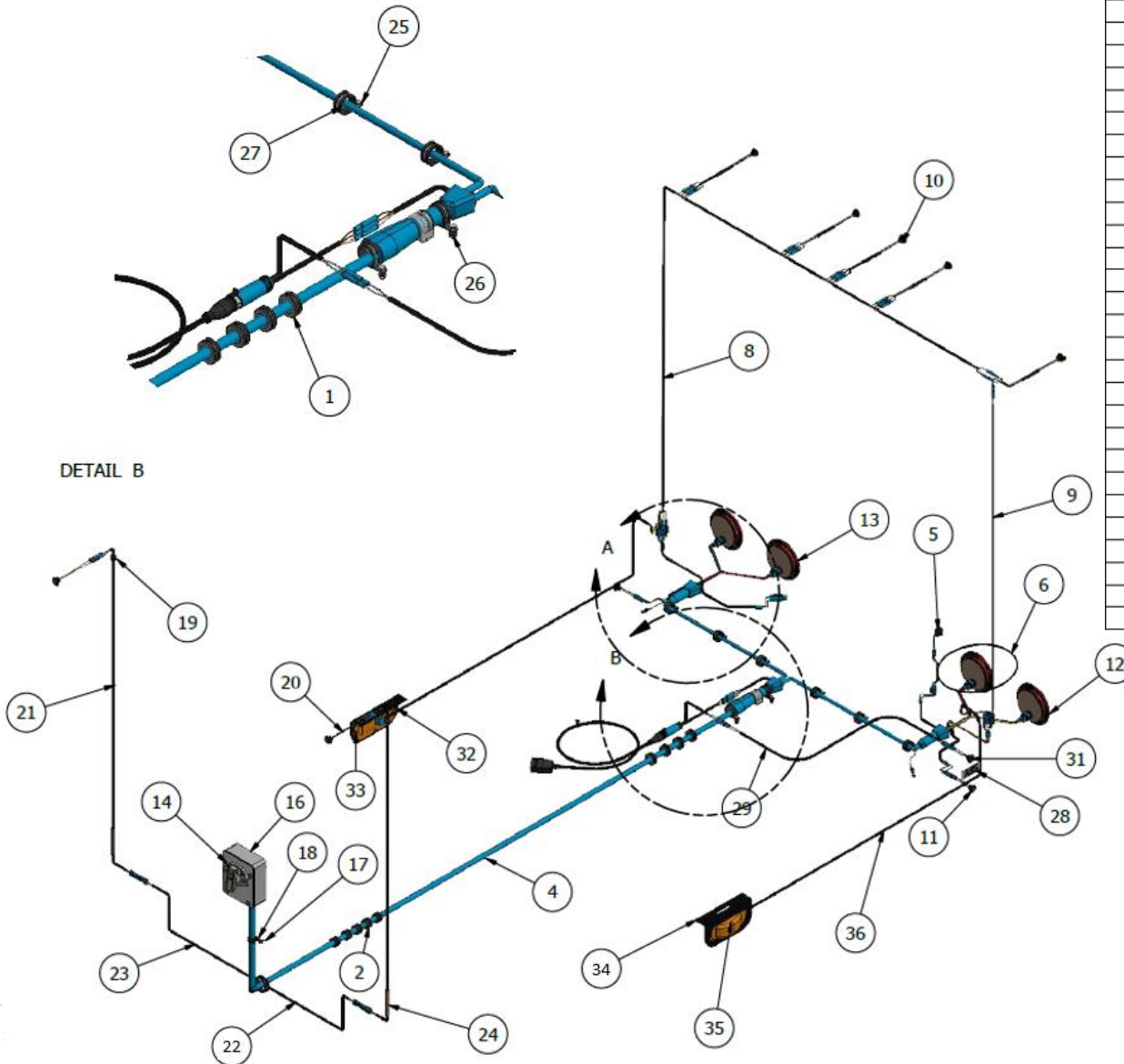


ITEM	PART NUMBER	DESCRIPTION	QTY
1A	50403.013356	VERTICAL TRACK – 104 7/8" CURBSIDE	1
1B	50403.023356	VERTICAL TRACK – 104 7/8" ROADSIDE	1
2	70584.3488	1 1/2" BRUSH PUSH IN SEAL (109")	2
3A	50223.0144800576	6" R HORIZONTAL TRACK – 104" CURBSIDE	1
3B	50223.0244800576	6" R HORIZONTAL TRACK – 104" ROADSIDE	1
4	70483.1000	2" TRACK STOP – RUBBER BUMPER	2
5	80105.4200	BOLT, HEX HD 1/4-20 x 2-1/2	2
6	89231.2000	KEPS NUT – 1/4-20	16
7	59334.18832072	CB ASSY COMPLETE - .88x32 SPRING x 96" SHAFT	1
8	59333.18832	CURB SIDE SPRING ASSEMBLY - .188x32	1
9	59332.18832	ROADSIDE SPRING ASSEMBLY - .188x32	1
10	80401.5240	COTTER PIN – 5/32 x 1 1/2	2
11	59314.2000	HEAD PLATE – DUAL SPRING (RH)	1
12	59315.2000	CENTER PLATE – DUAL SPRING	1
13	59314.1000	HEAD PLATE – DUAL SPRING (LH)	1
14	59316.0000	CENTER CLAMP – DUAL SPRING	1
15	89155.1000	FLANGE LOCK NUT – 5/16-18	12
16A	130000150x9763CO	7.5mm BOTTOM PANEL – 15x97 5/8" COMPLETE	1
16B	130000150x9763LL	7.5mm BOTTOM PANEL – 15x97 5/8" LESS LOCK	1
16C	130000150x9763NH	7.5MM BOTTOM PANEL – 15x97 5/8" NO EXTRIOR HARDWARE	1
17A	130001180x9763CO	7.5mm INTERMEDIATE PANEL – 18x97 5/8 COMPLETE	1
17B	130001180x9763NH	7.5mm INTERMEDIATE PANEL – 18x97 5/8 NO HARDWARE	1
18	130001115x9763FP	7.5mm INT PANEL- 11 1/2x97 5/8 W/FORKLIFT PLATE	1
19	130001115x9763NH	7.5mm INT PANEL- 11 1/2x97 5/8 NO HARDWARE	3
20	130001115x9763RE	7.5mm INT PANEL- 11 1/2x97 5/8 W/REINF. STRAP INSTALL	1
21A	130002136x9763CO	7.5mm TOP PANEL – 13 5/8x97 5/8 COMPLETE	1
21B	130002136x9763NH	7.5mm TOP PANEL – 13 5/8x97 5/8 NO HARDWARE	1
22	69432.0000.05	TOP FIXTURE BASE – BLACK	2
23	69431.0000.05	TOP FIXTURE SLIDE – BLACK	2
24	80302.2648	FLATWASHER – 1 1/2"	2
25	89049.0000	E-LOC BOLT – 3/8 x 1/2"	2
26	89210.0016	STEEL RIVET, 1/4x0.50	139
27	70569.3008	REFINFORCEMENT STRAP (94")	4
28	89210.0019	STEEL RIVET, 1/4 x 0.594	41
29	70159.0000	CENTER HINGE ASSEMBLY	21
30	70514.0000	END HINGE ASSEMBLY (INCLUDES 311, 32, 33)	14
31	70513.0000	END HINGE (LESS CAP AND NUTS)	14
32	70161.0000	HINGE ROLLER CAP	14
33	89042.2000	1/4-20 NYLOCK NUT	28
34	70225.0000	NYLON 2" ROLLER	18
35	80020.0000	ROLLER SPACER WASHER	16
36	80015.0024	CARRIAGE BOLT – 1/4-20 x 3/4"	14
37	70309.0000.05	REMOVABLE ROLLER HOLDER – BLACK	2
38	59193.0000.41	HD CABLE BRACKET – TECH WHITE	2
39	89275.0000	SS CONICAL WASHER	38
40	61026.0000	CABLE ANCHOR PIN	2
41	80401.3160	COTTER PIN 3/32 x 1	2
42	70534.3264	JOINT SEAL (102")	7
43	70565.3136	7.5mm ENCAPSULATED BOTTON ANGLE (98")	1
44	70578.3136	ARMORPLATE BOTTOM SEAL – 4 LIP VINYL (98")	1
45	89100.1000	DRIVE RIVET – 3/16 x 9/32	2
46	89210.0023	STEEL RIVET, 1/4 x .718	21
47	89210.0026	STEEL RIVET, 1/4 x .813	3
48	70306.1152.41	36" FORKLIFT PLATE – TECH WHITE	1
49	69325.0000.41	DROP LIFT HANDLE – TECH WHITE	1
50	61401.0000.41	TODCO LIFT HANDLE – TECH WHITE	1
51	70223.0000.41	OFFSET LEVER MS LOCK – TECH WHITE	1
52	69572.0000.41	MS LOCK SECONDARY KEEPER – TECH WHITE	1
53	70339.0000	FLUSH MOUNT CATCH BOX	1
54	70393.1408	PULL STRAP 44" BLACK	1
55	69832.0000.41	PULL STRAP RETAINER – TECH WHITE	1
56	70566.3136	7.5mm HEAD SEAL RETAINER (98")	1
57	69718.0032	RUBBER HEAD SEAL	8.136 FT
58	59003.0000	130" CABLE (PAIR)	1
59	70318.0000	SAFETY & WARNING DEACL (NOT SHOWN)	1
60	70319.0000	SPRING WARNING DECAL (NOT SHOWN)	1
62	70545.0000	INSTALL & MAINTENANCE DECAL (NOT SHOWN)	1
63	70405.0000	TODCO OWNERS MANUAL (NOT SHOWN)	1

# ELECTRICAL ASSEMBLY, XTL53'

## 800M122

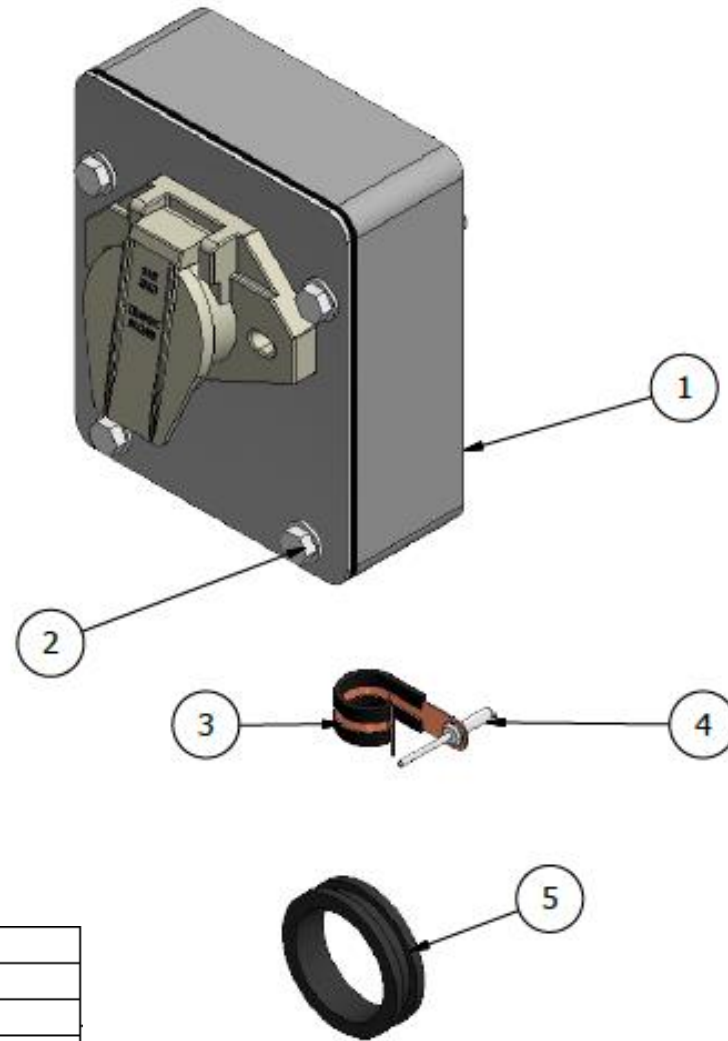
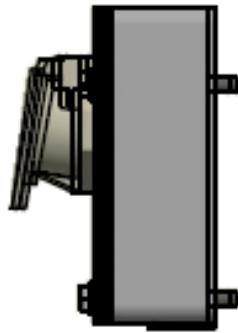
PARTS LIST			
ITEM	QTY	PART NUMBER	DESCRIPTION
1	8	8000459	GROMMET 1 3/4"
2	4	8000477	GROMMET 1"
3	1	8000550	REAR SILL HARNESS
4	1	8000593	MAIN HARNESS
5	1	8000196	LICENSE LIGHT
6	1	8000197	MARKER LIGHT JUMPER
7	2	8000451	GROMMET 1 1/16"
8	1	8000553	DOOR HEADER HARNESS
9	1	8000554	TURN SIGNAL JUMPER
10	5	8000571	MICRO-NOVA DOT DUAL RED LED
11	2	8000570	MICRO-NOVA DOT RED LED
12	12	6300119	RIVET, POP
13	4	8000875	TAIL LIGHT 4"
14	4	6000298	BOLT, 5/16" - 18 x 2 1/2"
15	1	8000476	GROMMET2"
16	1	8000943	7-WAY SMART BOX
17	1	6300015	RIVET, POP
18	1	8000261	CLAMP, RUBBER CUSHION
19	2	8000458	GROMMET 5/8"
20	2	8000572	MICRO-NOVA AMBER DOT LED
21	2	8000594	FORWARD WALL HARNESS
22	1	8000596	JUMPER HARNESS 36"
23	1	8000597	JUMPER HARNESS 96"
24	1	8000997	SPLIT LOOM
25	8	6000275	BOLT, 1/4" -20 x 3/4"
26	8	6100256	NUT 1/4" - 20
27	8	8000275	CLAMP, CUSHION 1 1/4"
28	1	7500200	ABS FAULT DECAL
29	1	8000561	ABS LIGHT JUMPER HARNESS
30	1	8000564	ABS POWER HARNESS-SEMI
31	1	8000573	MICRO-NOVA AMBER LED
32	2	6300126	RIVET, POP
33	2	6300153	RIVET, POP
34	2	8000064	MOUNTING BRACKET, OVAL MID-TURN
35	2	8000132	MID-TURN LED FLANGE MOUNT
36	2	8005634	MID-TURN HARNESS



DETAIL A

# 7-WAY ASSEMBLY FORWARD WALL

## 800N344

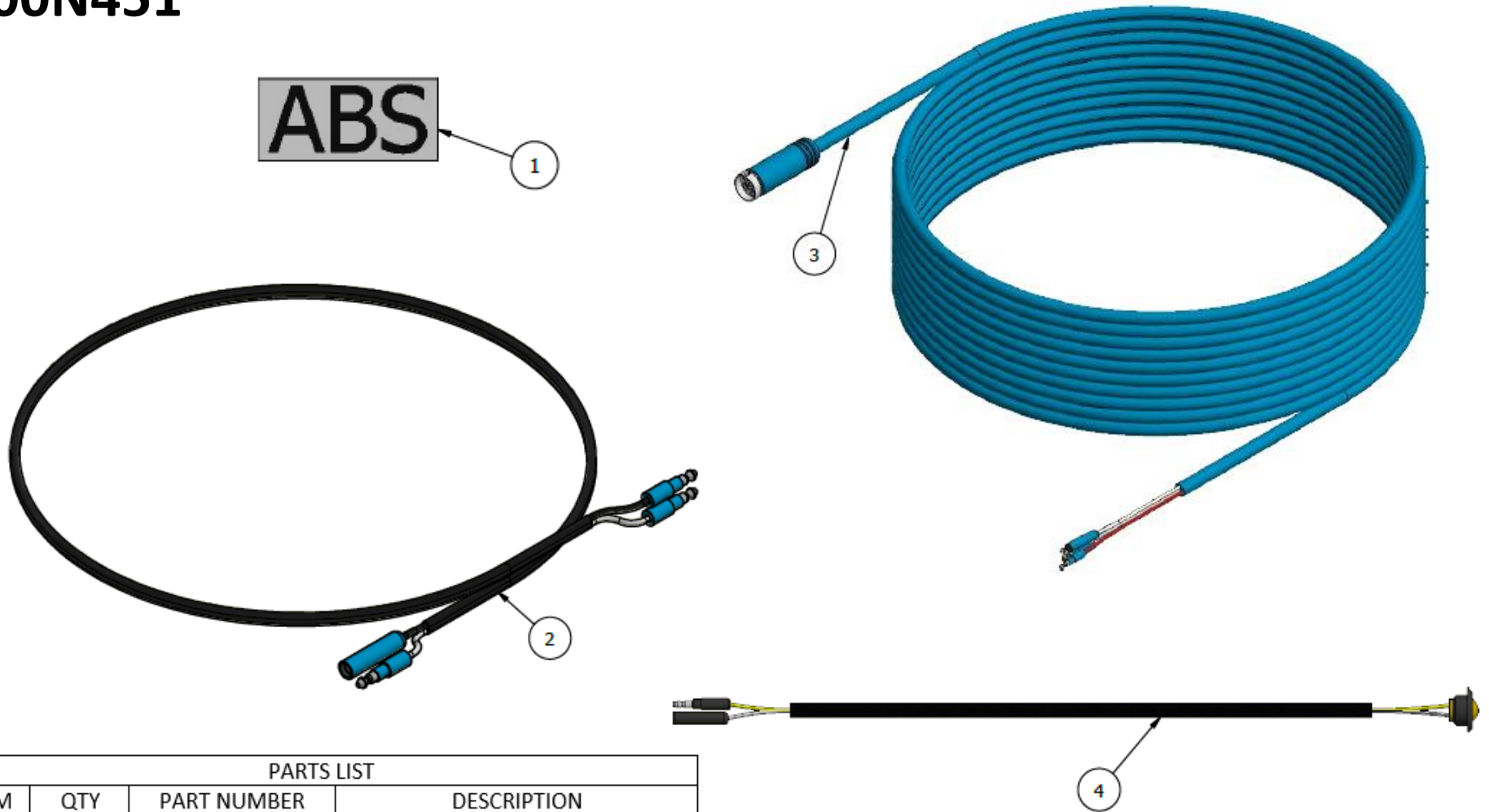


PARTS LIST			
ITEM	QTY	PART NUMBER	DESCRIPTION
1	1	8000943	7-WAY SMART BOX CP, 7-PIN CP
2	4	6000298	BOLT, 5/16-18 x 2 3/4" TRILOBULAR SELF-TAPPING
3	1	8000261	CLAMP, RUBBER CUSHING - 3/4"
4	1	6300015	RIVET, POP - 6-9 CLOSED END
5	1	8000476	GROMMET, 2" HOLE, 1 3/4" ID



# ABS LIGHT ASSEMBLY, LTL SEMI

## 800N451

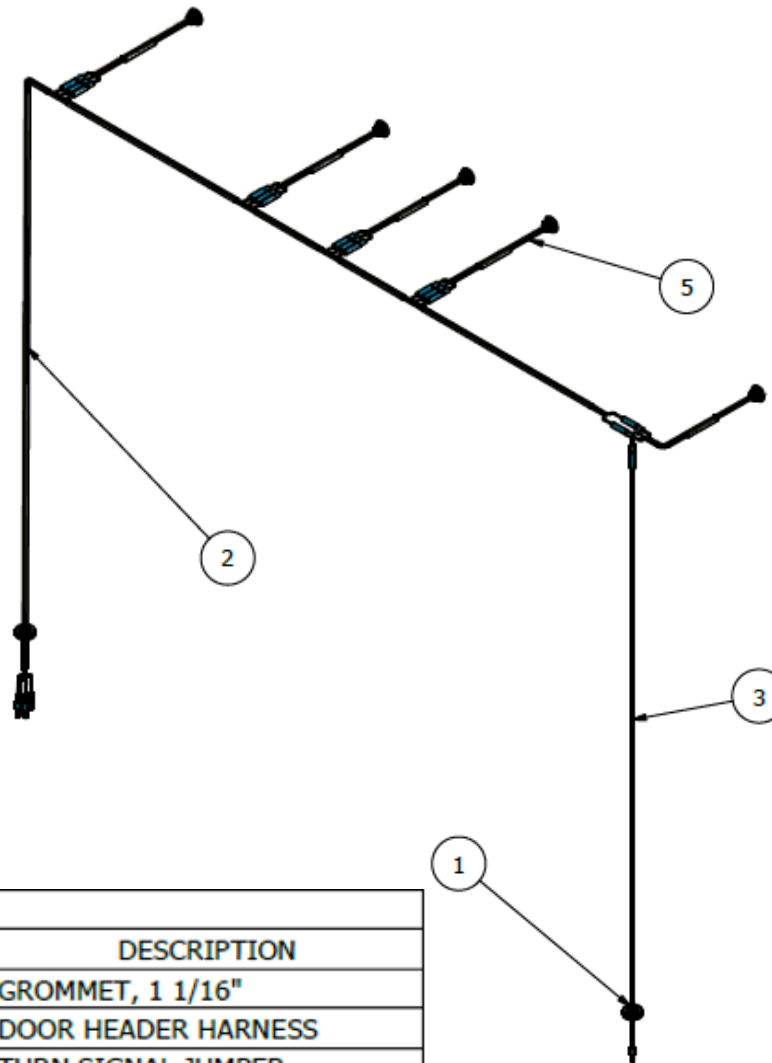


PARTS LIST			
ITEM	QTY	PART NUMBER	DESCRIPTION
1	1	7500200	ABS DECAL
2	1	8000561	ABS LIGHT JUMPER 54"
3	1	8000564	ABS POWER HARNESS 26'
4	1	8000573	MICRO-NOVA DOT AMBER LAMP

LIGHT: GROTE 01-4933-84

# DOOR HEADER ELECTRICAL ASSEMBLY

## 800N325



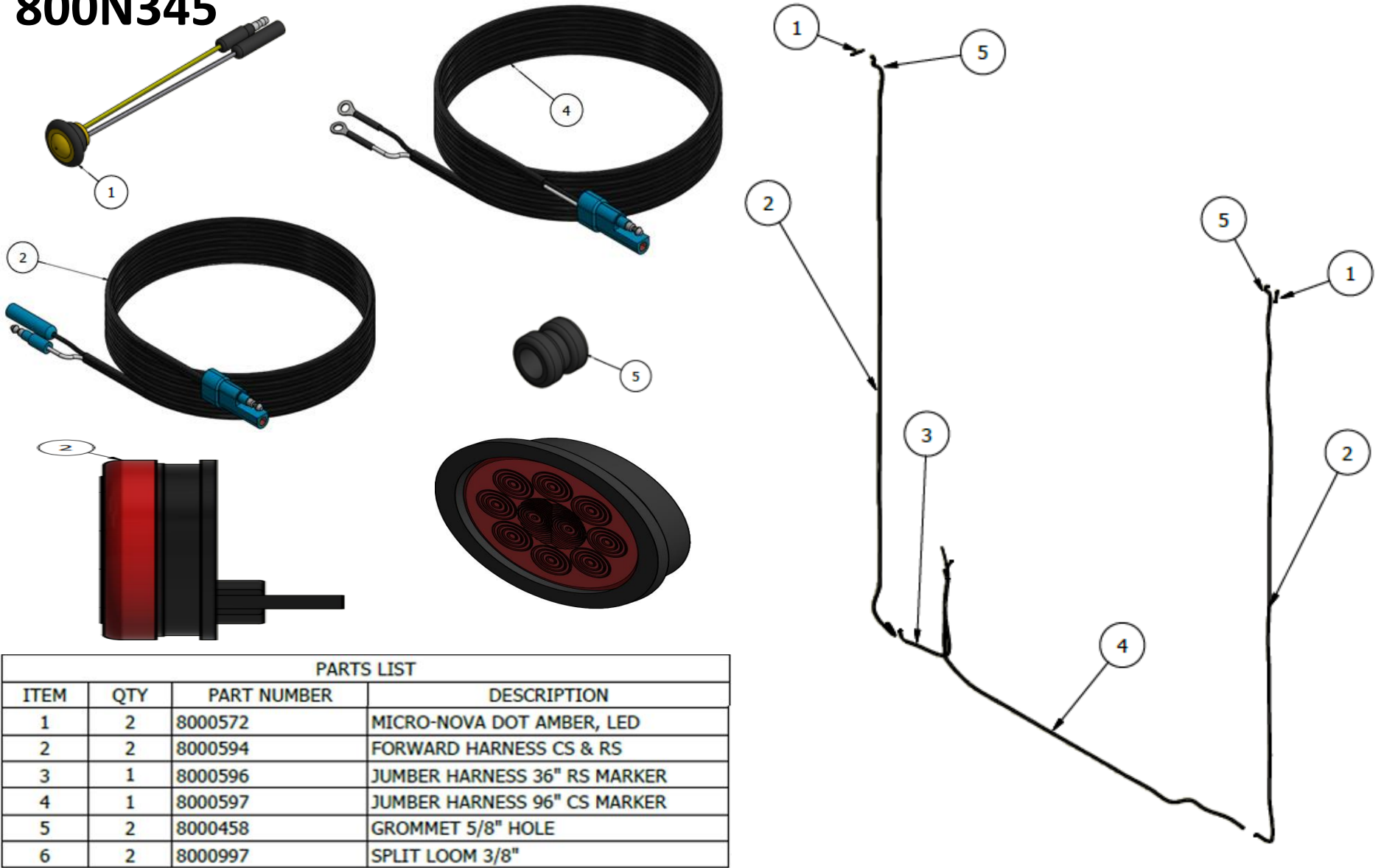
PARTS LIST			
ITEM	QTY	PART NUMBER	DESCRIPTION
1	2	8000451	GROMMET, 1 1/16"
2	1	8000553	DOOR HEADER HARNESS
3	1	8000554	TURN SIGNAL JUMPER
4	5	8000571	MICRO-NOVA DOT RED LAMP

LIGHT: GROTE 49326-3



# FORWARD WALL ELECTRICAL ASSEMBLY

## 800N345

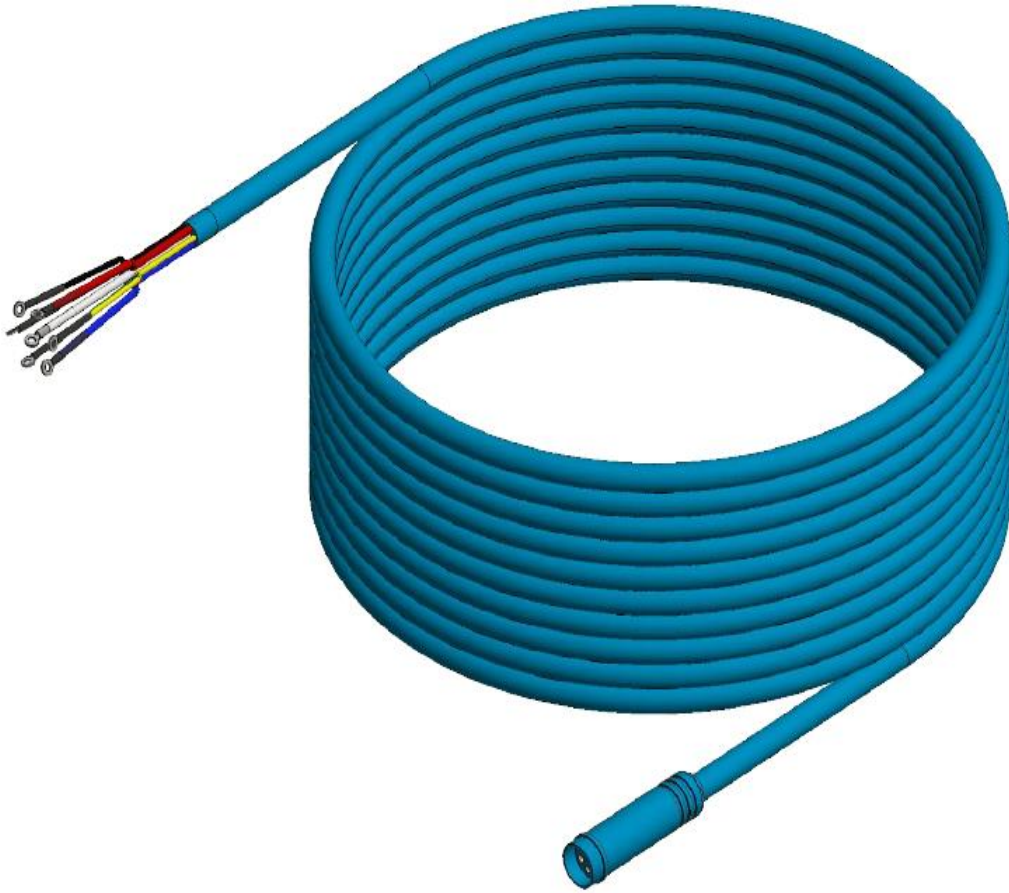


PARTS LIST

ITEM	QTY	PART NUMBER	DESCRIPTION
1	2	8000572	MICRO-NOVA DOT AMBER, LED
2	2	8000594	FORWARD HARNESS CS & RS
3	1	8000596	JUMBER HARNESS 36" RS MARKER
4	1	8000597	JUMBER HARNESS 96" CS MARKER
5	2	8000458	GROMMET 5/8" HOLE
6	2	8000997	SPLIT LOOM 3/8"

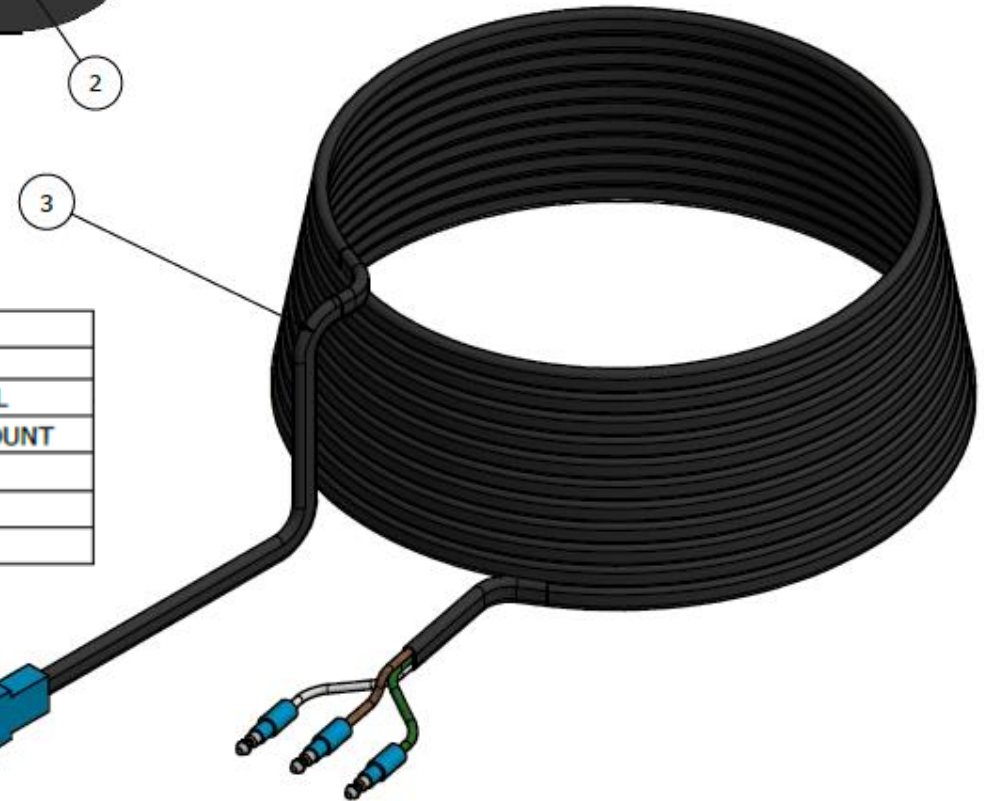
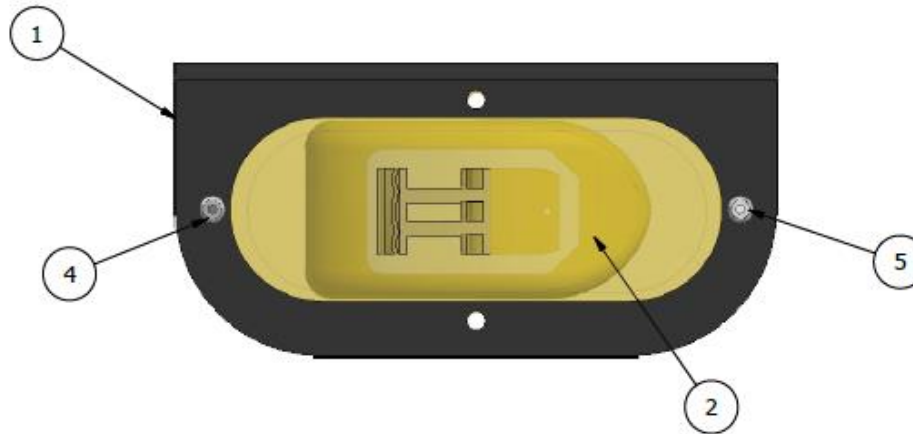
# MAIN HARNESS 708", LTL53'

8000593



# MID TURN ELECTRICAL ASSEMBLY, 53'

## 800N535

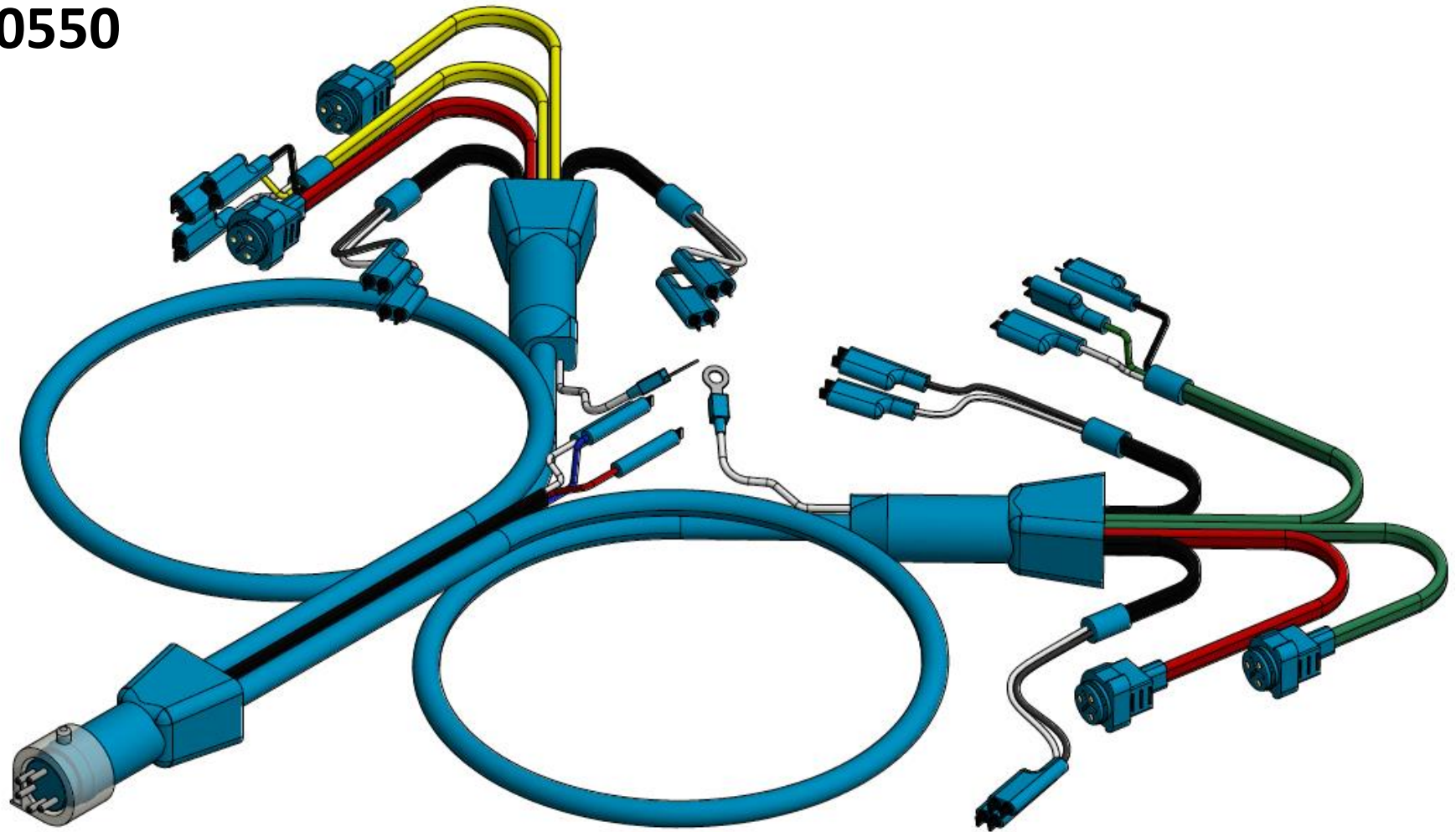


PARTS LIST			
ITEM	QTY	PART NUMBER	DESCRIPTION
1	2	8000064	MOUNTING BRACKET, OVAL
2	2	8000132	MID-TURN LED FLANGE MOUNT
3	2	8005634	MID-TURN HARNESS
4	2	6300126	RIVET, POP
5	2	6300153	RIVET, POP-MAGNA-LOK

LIGHT: GROTE 01-5420-33

# REAR HARNESS-ABS

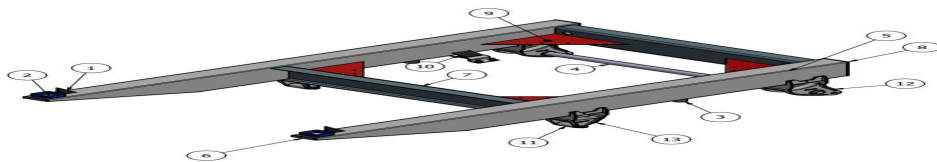
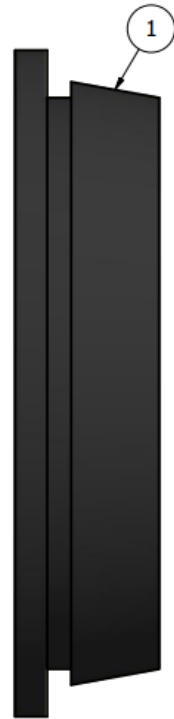
8000550





# TAILLIGHT ASSEMBLY

## 800N354



LIGHT: GROTE 53252-3

# AIR BRAKE ASSEMBLY, LTL 48'

## SPRING RIDE, WABCO ABS

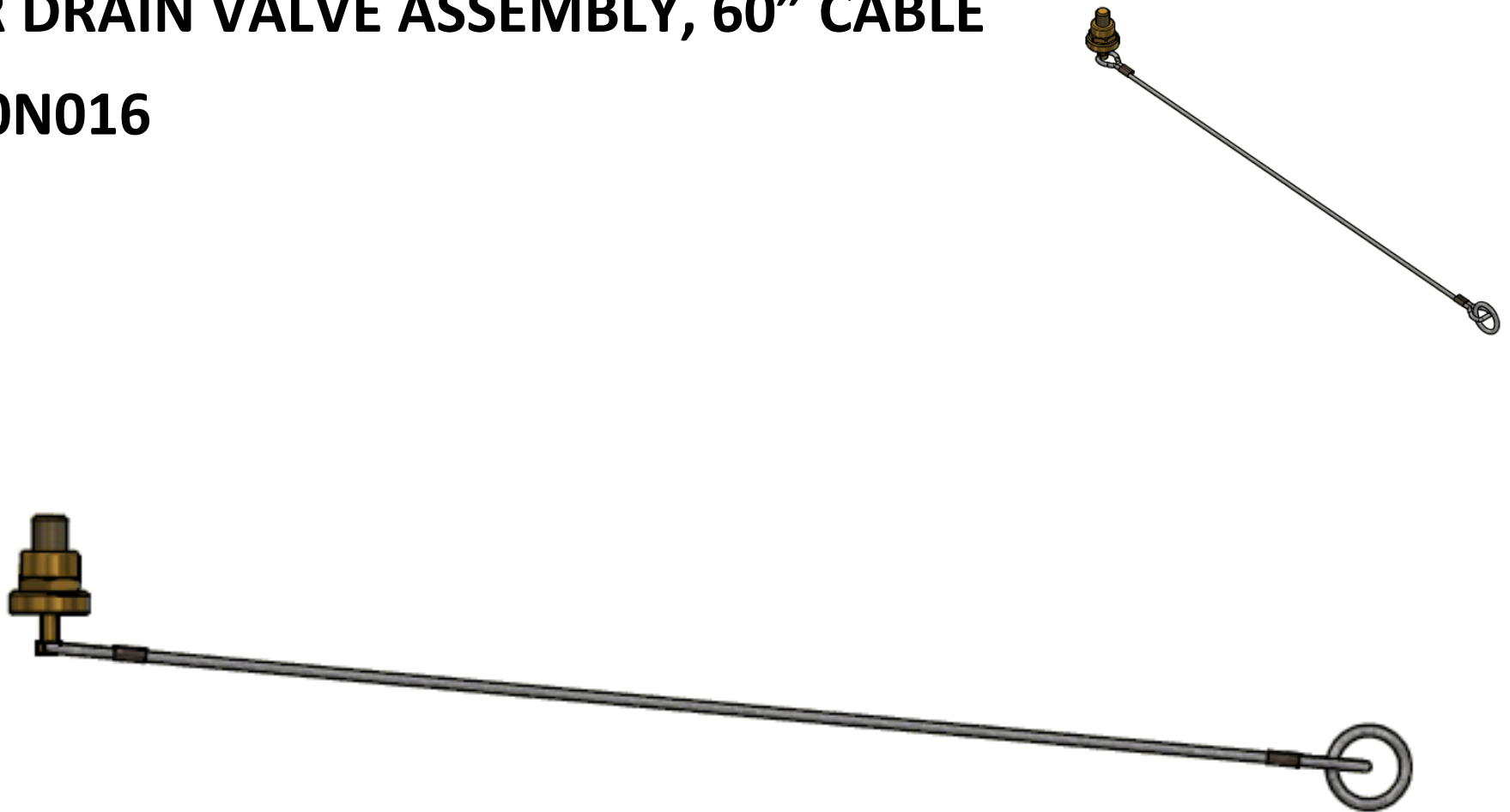
### 700M132

PARTS LIST			
ITEM	QTY	PART NUMBER	DESCRIPTION
1	2	210N071	SUPPORT SPRING ASSEMBLY, 16.5"
2	1	700N016	AIR DRAIN VALVE ASSM, 60" CABLE
3	2	700N142	AIR BRAKE CHAMBER CONNECTOR ASSM
4	1	700N253	BOGIE HOSE HANGER ASSM
5	1	700N376	VALVE ASSM, SPRING BRAKE
6	1	700N377	MOUNTING PLATE ASSM, AIR BRAKE VAVLE
7	1	700N378	AIR FILTER ASSM
8	1	700N379	VALVE ASSM, ABS
9	1	700N380	RELAY VALVE ASSM
10	1	700N389	AIR TANK ASSM, SEMI
11	1	700N403	AI BRAKE HOSE ASSEMBLY
12	1	700N406	GLADHAND ASSEMBLY, SEMI
13	1	700N411	BOGIE HOSE HANGER ASSEMBLY
14	1	700N520	AIR BRAKE CLAMP ASSM
15	8	8000478	GROMMET, 13/16" HOLE

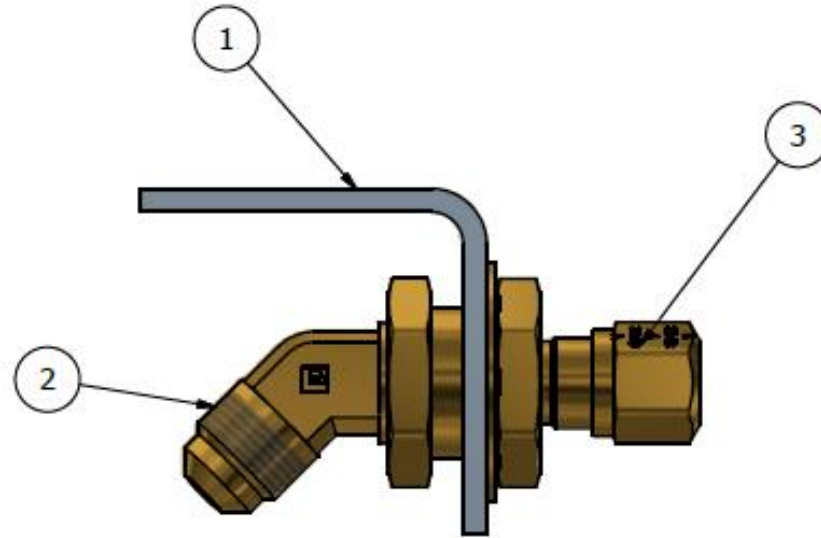
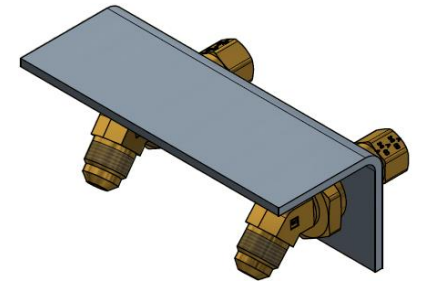


# AIR DRAIN VALVE ASSEMBLY, 60" CABLE

## 700N016



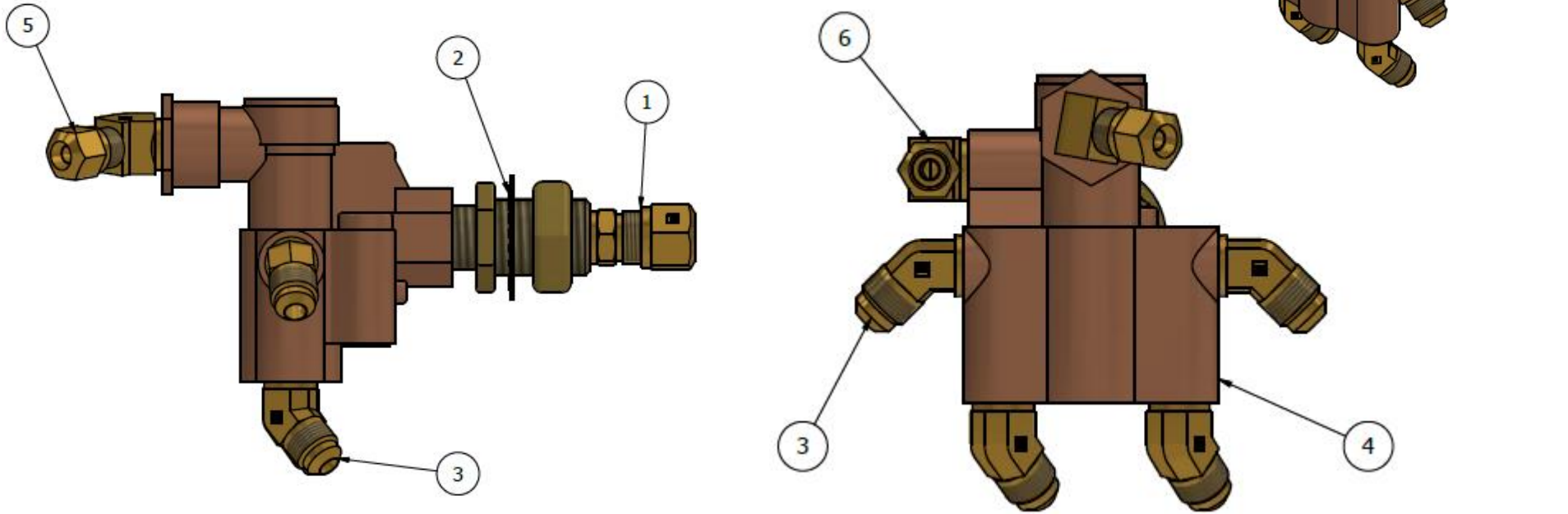
# BOGIE HOSE HANGER ASSEMBLY, LTL SEMI 700N253



PARTS LIST			
ITEM	QTY	PART NUMBER	DESCRIPTION
1	1	2104521	ANGLE, SLIDER HOSE HANGER
2	2	7000216	FITTING, MALE ELBOW 45 DEGREE
3	2	7045035	FITTING, BULKHEAD CONNECTION

# SPRING BRAKE VALVE ASSEMBLY, LTL SEMI

## 700N376

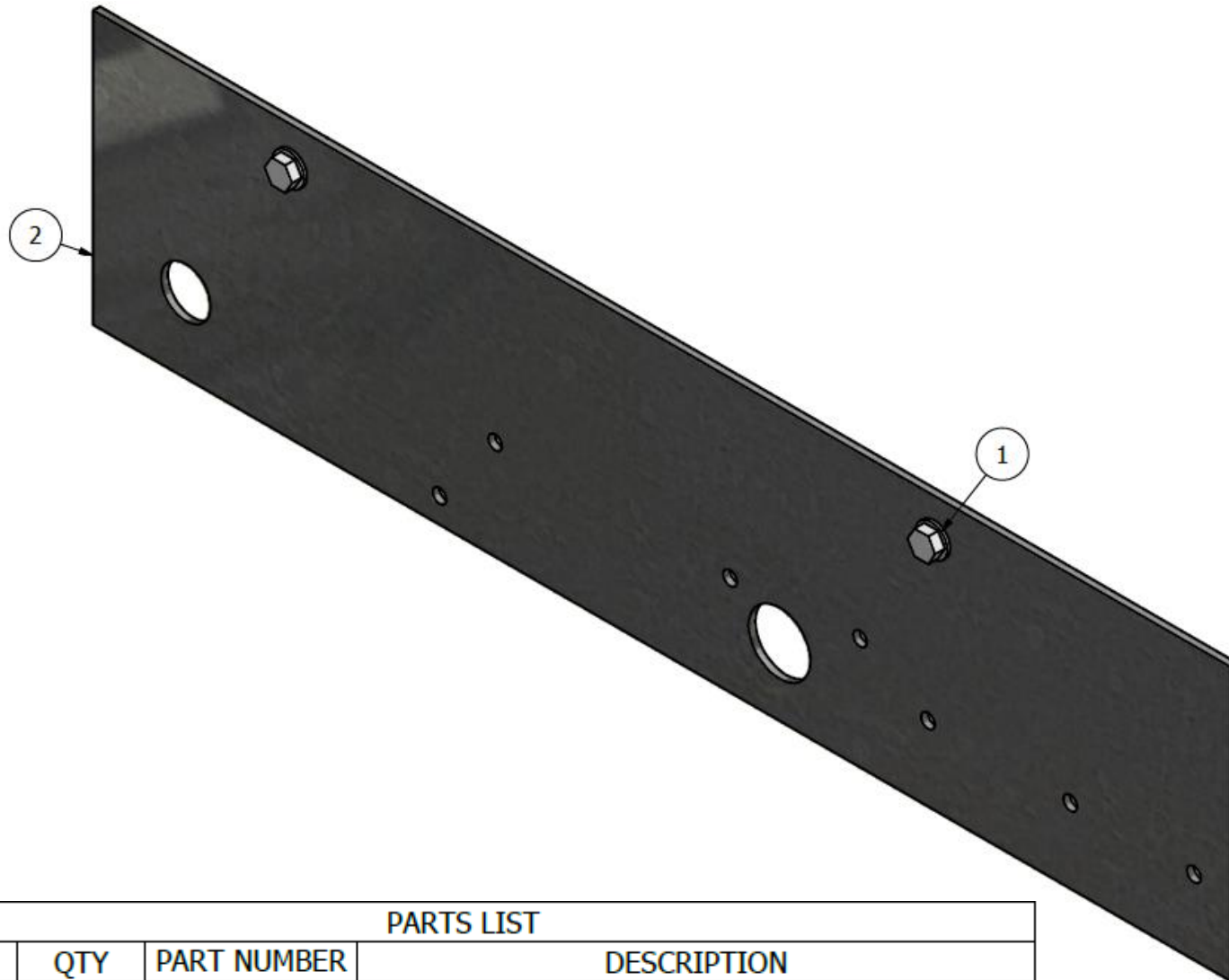


VALVE: SEALCO 10700

PARTS LIST			
ITEM	QTY	PART NUMBER	DESCRIPTION
	1	700N376	SPRING BRAKE VALVE
1	1	7000143	FITTING, MALE CONNECTOR
2	1	7000188	CLAMPING STUD
3	4	7000216	FITTING, MALE ELBOW 45 DEGREE
4	1	7001213	VALVE, SPRING BRAKE CONTROL
5	1	7045007	FITTING, 45 DEGREE ELBOW
6	1	7045008	FITTING, 90 DEGREE ELBOW

# AIR BRAKE VALVE MOUNTING PLATE ASSEMBLY, LTL SEMI

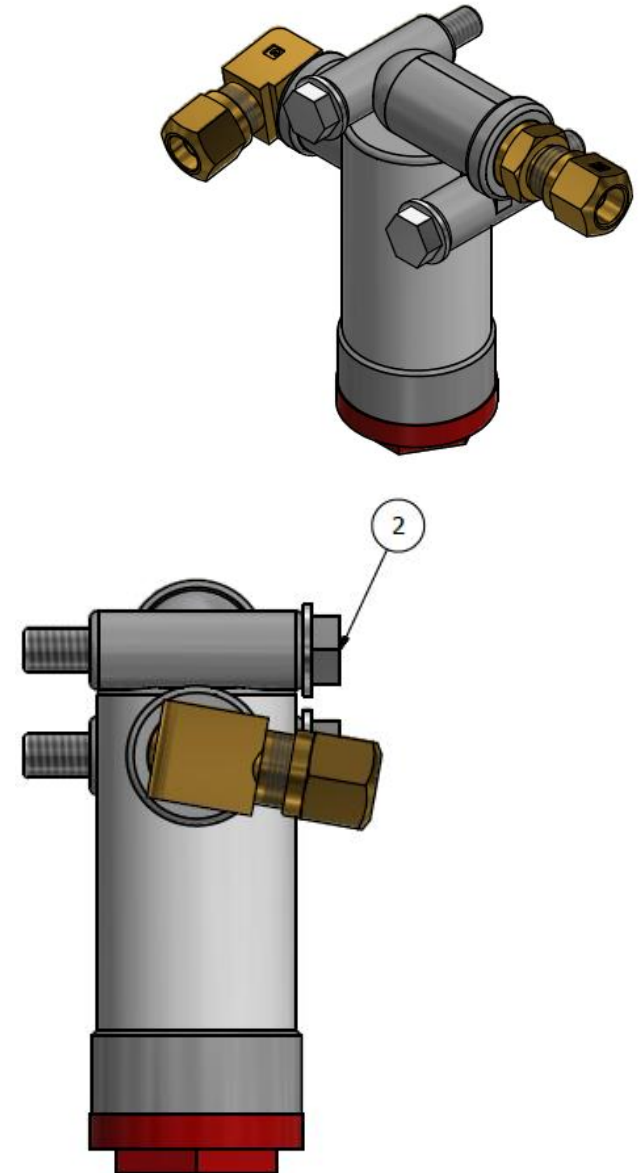
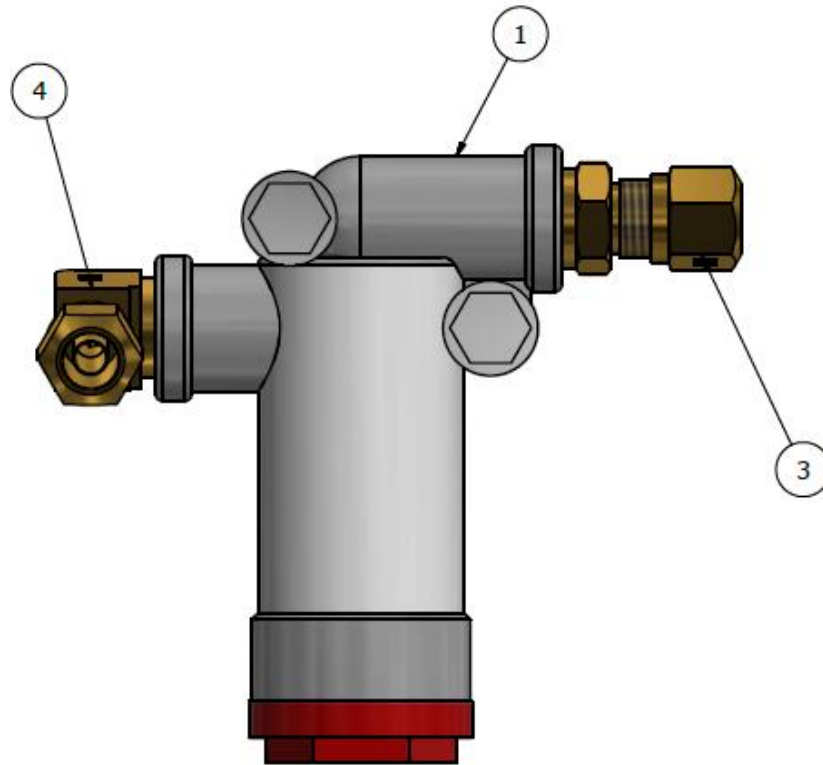
700N377



PARTS LIST			
ITEM	QTY	PART NUMBER	DESCRIPTION
1	2	6000312	BOLT, 5/16"-18 x 3/4" TRILOBULAR SELF TAPPING
2	1	7000064	MOUNTING PLATE, AIR BRAKE VALVE

# AIR FILTER ASSEMBLY, LTL SEMI

## 700N378

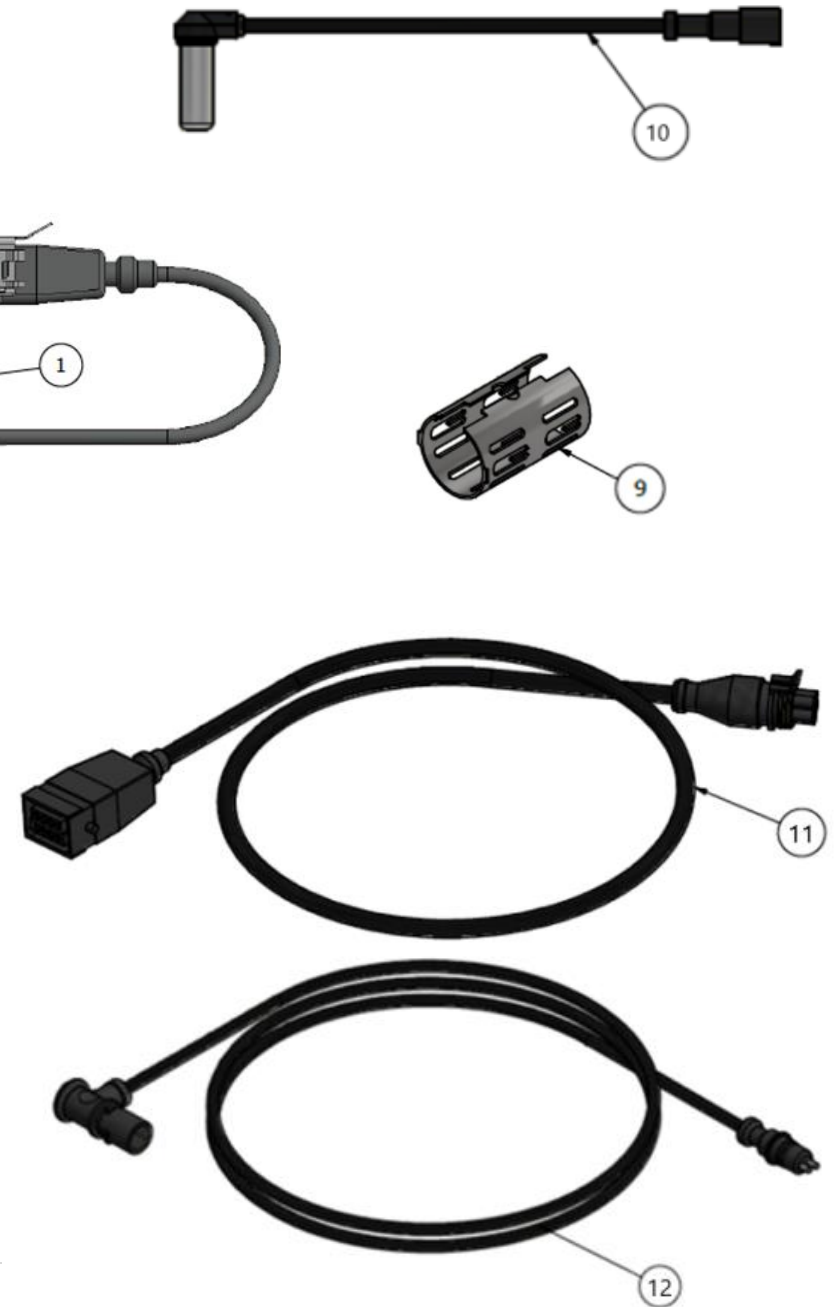
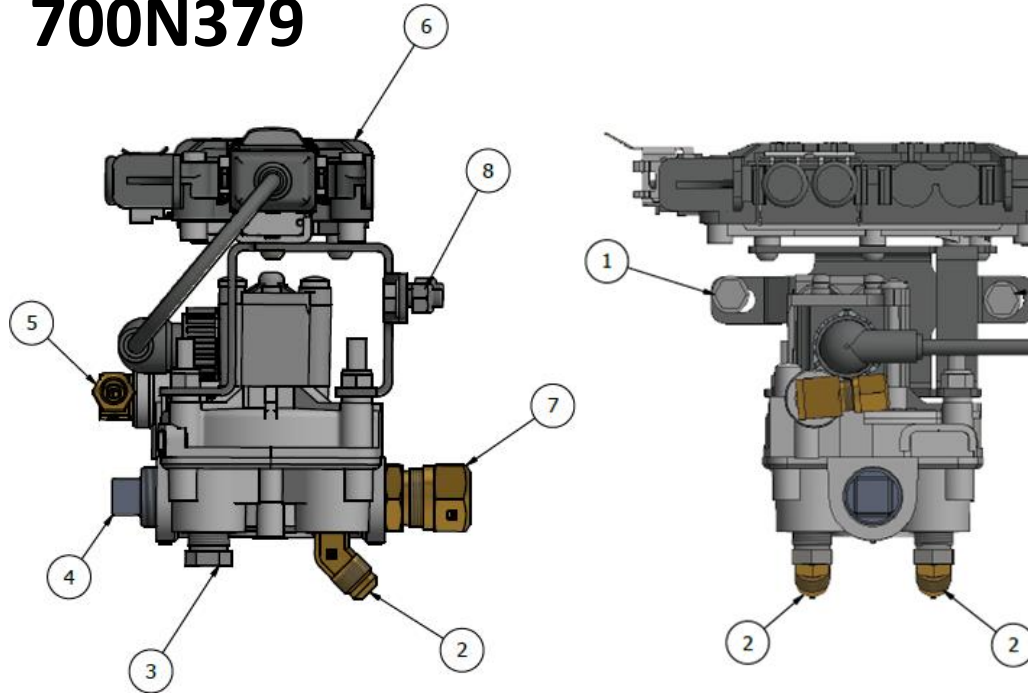


PARTS LIST			
ITEM	QTY	PART NUMBER	DESCRIPTION
	1	700N378	AIR FILTER ASSEMBLY
1	1	7000110	VALVE, FILTER LINE-AIR BRAKE
2	2	6000345	BOLT, 5/16"- 18 x 2"
3	1	7000141	FITTING, MALE CONNECTOR
4	1	7045008	FITTING, ELBOW 90 DEGREE

VALVE: SEALCO 2550

# ABS VALVE ASSEMBLY, LTL SEMI

## 700N379



### PARTS LIST

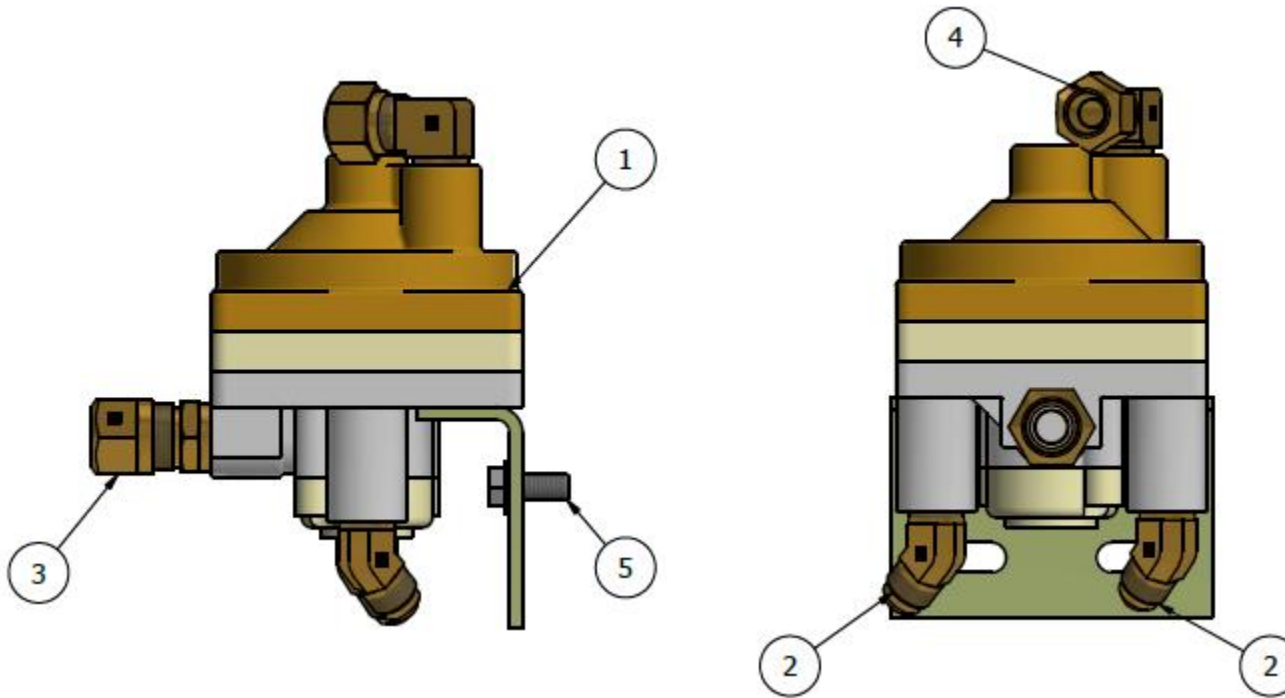
ITEM	QTY	PART NUMBER	DESCRIPTION
1	2	6000312	BOLT, 5/16"-18 x 3/4" TRILOBULAR SELF TAPPING
2	2	7000216	MALE ELBOW FITTING, 45 DEG 159F-6-6
3	2	7000851	PIPE PLUG, 3/8"
4	1	7000856	PIPE PLUG, 3/4" NPT
5	1	7045009	FITTING, 90 DEG ELBOW 269NTA-6-6
6	1	7001229	VALVE, ABS- WABCO 25/1M
7	1	7000217	FITTING, MALE CONNECTOR
8	2	6100316	NUT, 5/16-18 LOCK
9	2	7001224	ABS, SENSOR CLIP - MERITOR
10	2	7001218	SPEED SENSOR, MERITOR - WITH MOLDED
11	1	7001230	ABS, POWER CABLE - MERITOR 20'
12	2	7001223	ABS, SENSOR WIRE- 72" MERITOR

LIGHT: MERITOR S400-500-101 0



# RELAY VALVE ASSEMBLY, LTL SEMI

## 700N380

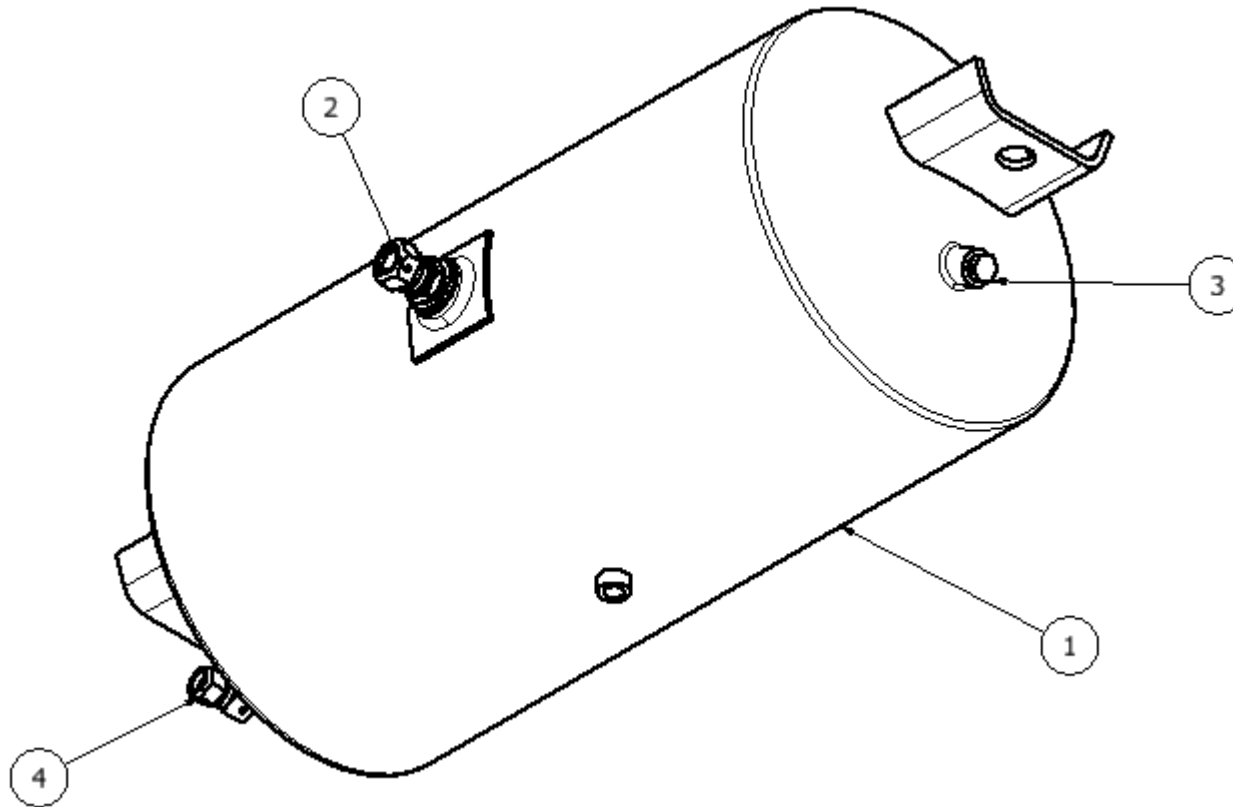


PARTS LIST			
ITEM	QTY	PART NUMBER	DESCRIPTION
	1	700N380	RELAY VALVE ASSEMBLY
1	1	7001247	VALVE, SERVICE RELAY
2	2	7000216	FITTING, MALE ELBOW 45 DEGREE
3	1	7000218	FITTING, MALE CONNECTOR
4	1	7045009	FITTING, ELBOW 90 DEGREE
5	2	6000312	BOLT, 5/15"-18 x 3/4"

VALVE: SEALCO 110412

# AIR TANK ASSEMBLY, LTL SEMI

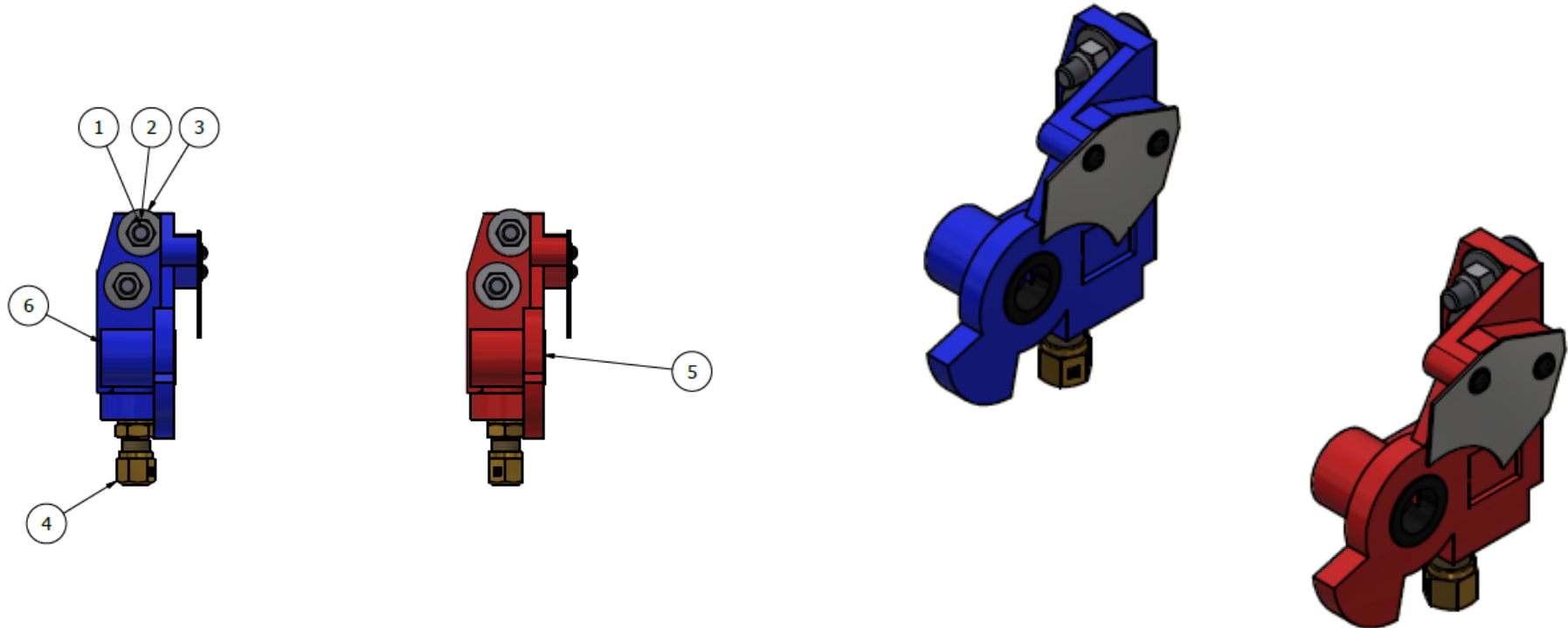
## 700N375



PARTS LIST			
ITEM	QTY	PART NUMBER	DESCRIPTION
1	1	7000102	AIR TANK, 12"
2	1	7000217	FITTING, MALE CONNECTOR 68NTA-10-12
3	1	7000851	PIPE PLUG, 3/8"
4	1	7045009	FITTING, ELBOW 90D 269NTA-8-6

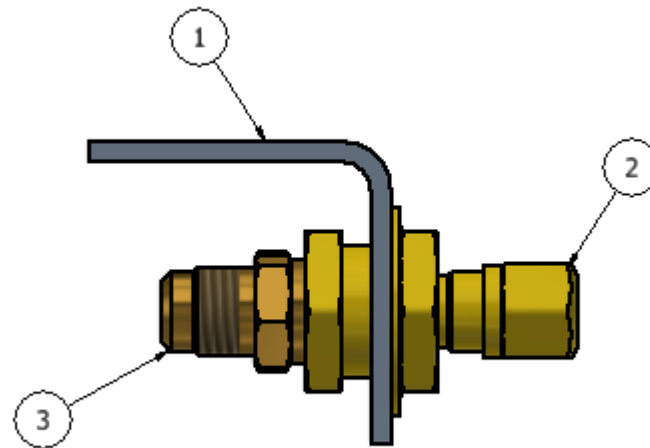
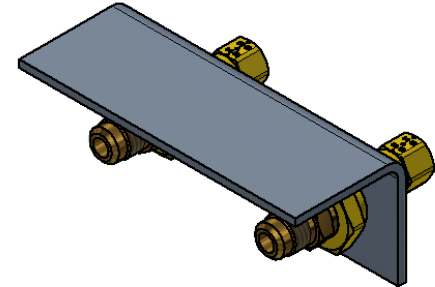
# GLADHAND ASSEMBLY-FRONT, SEMI

## 700N406



PARTS LIST				
ITEM	QTY	PART NUMBER	DESCRIPTION	
1	4	6000961	BOLT, 5/16-18 x 1 1/4" CARRIAGE, GRADE 5 PLATED	
2	4	6100316	NUT, 5/16-18 LOCK, NYLON	
3	4	6200312	WASHER, 5/16" ID x 7/8" OD	
4	2	7000141	FITTING, MALE 68NTA-6-6	
5	1	7001297	GLADHAND, 38D, EMERGENCY, CAST	
6	1	7001298	GLADHAND, 38D, CONTROL, CAST	

# BOGIE HOSE HANGER ASSEMBLY, LTL SEMI 700N253



PARTS LIST			
ITEM	QTY	PART NUMBER	DESCRIPTION
1	1	2104521	ANGLE, SLIDER HOSE HANGER
2	2	7045035	FITTING, BULKHEAD CONNECTION
3	2	7000189	FITTING, MALE CONNECTOR

# **XPO**

## **ACCESSORY KITS FOR LTL XPO TRAILERS**

**750M032**  
**ACCESSORY KIT**  
**FOR**  
**LTL28' MODEL TRAILERS**

<b>420N720</b>	FLIP SIGN ASSEMBLY-8, WALL
<b>420N721</b>	FLIP SIGN ASSEMBLY-8, DOOR
<b>420N722</b>	FLIP SIGN ASSEMBLY-9, WALL
<b>420N723</b>	FLIP SIGN ASSEMBLY-9, DOOR
<b>750N482</b>	PLACARD HOLDER ASSEMBLY-DOOR
<b>750N487</b>	PLACARD HOLDER ASSEMBLY, SW/SF
<b>750N806</b>	MANIFEST BOX ASSEMBLY





**750M029**  
**ACCESSORY KIT**  
**FOR**  
**LTL SEMI TRAILERS**

<b>420N720</b>	FLIP SIGN ASSEMBLY-8, WALL
<b>420N721</b>	FLIP SIGN ASSEMBLY-8, DOOR
<b>420N722</b>	FLIP SIGN ASSEMBLY-9, WALL
<b>420N723</b>	FLIP SIGN ASSEMBLY-9, DOOR
<b>4400233</b>	SKY-LITE 4" ROUND CLEAR
<b>750N482</b>	PLACARD HOLDER ASSEMBLY-DOOR
<b>750N487</b>	PLACARD HOLDER ASSEMBLY, SW/SF
<b>750N806</b>	MANIFEST BOX ASSEMBLY



**750M034**  
**ACCESSORY KIT**  
**FOR**  
**XTL53' MODEL TRAILERS**

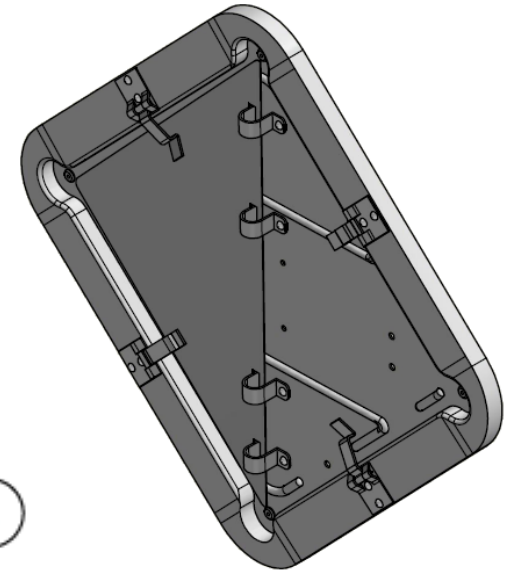
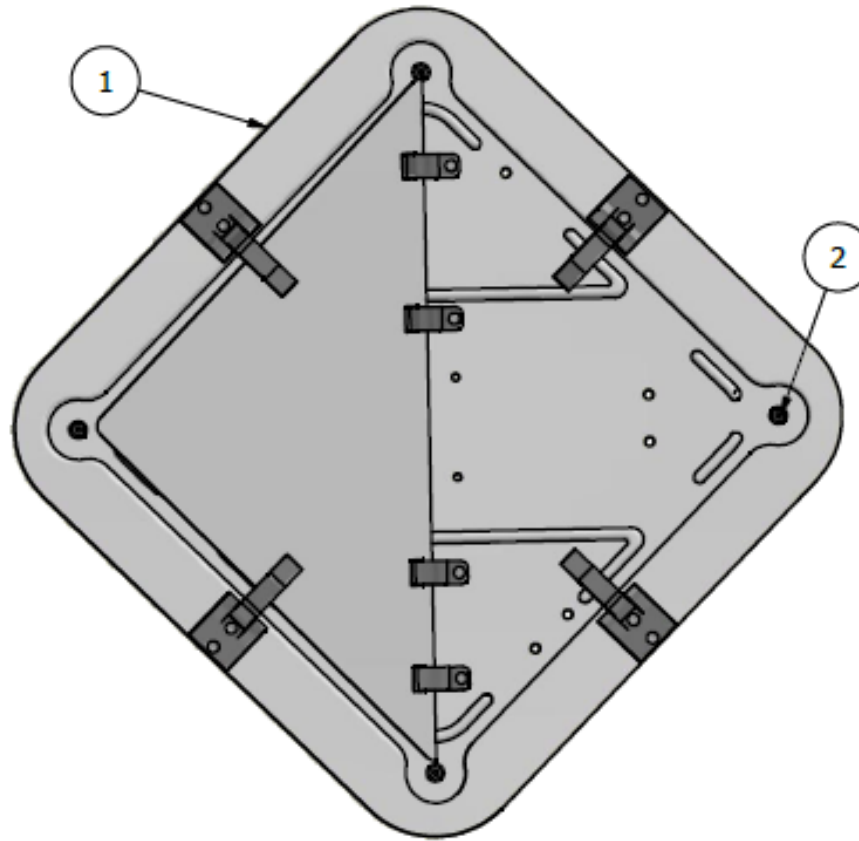
<b>750N806</b>
----------------

<b>MANIFEST BOX ASSEMBLY</b>
------------------------------



# FLIP SIGN ASSEMBLY-8, WALL

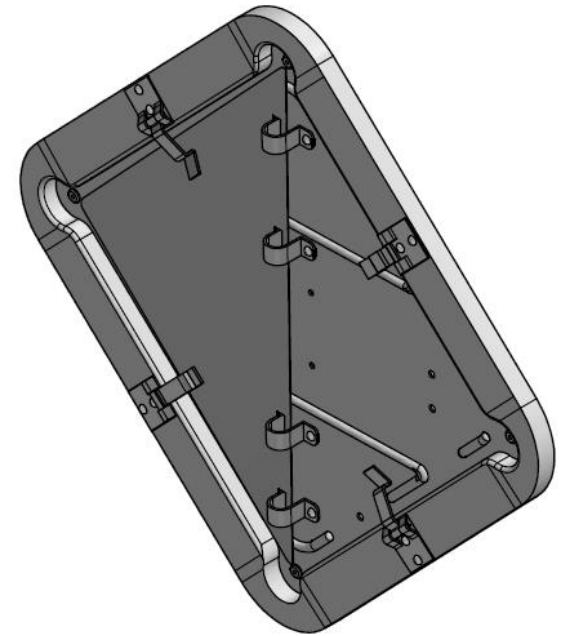
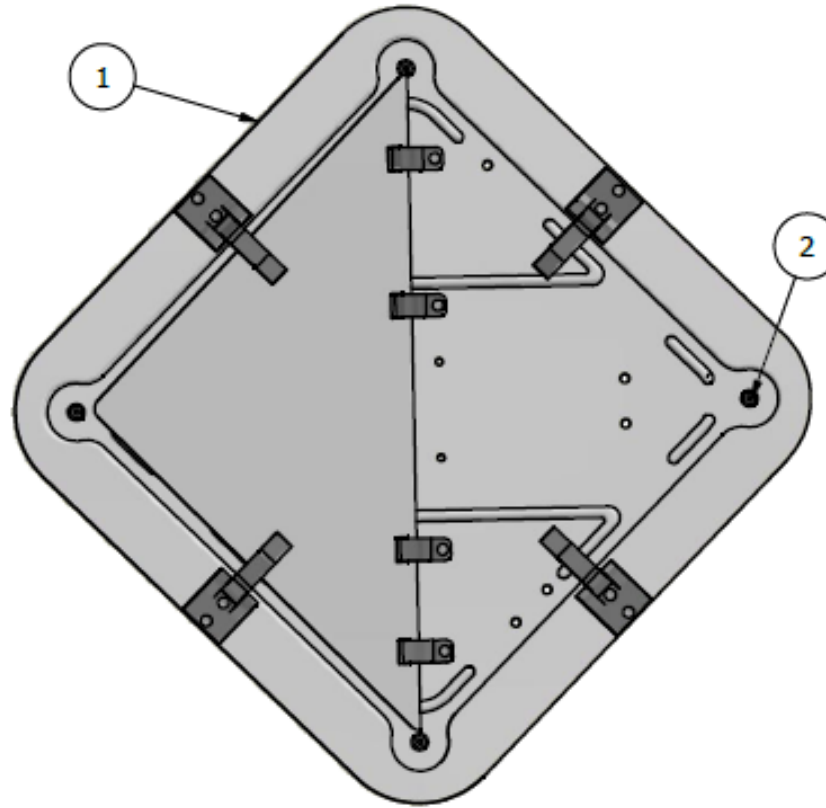
## 420N720



PARTS LIST			
ITEM	QTY	PART NUMBER	DESCRIPTION
1	1	4200720	FLIP SIGN, LABEL MASTER
2	4	6300015	RIVET, POP-6-9 CLOSED END

# FLIP SIGN ASSEMBLY-8, DOOR

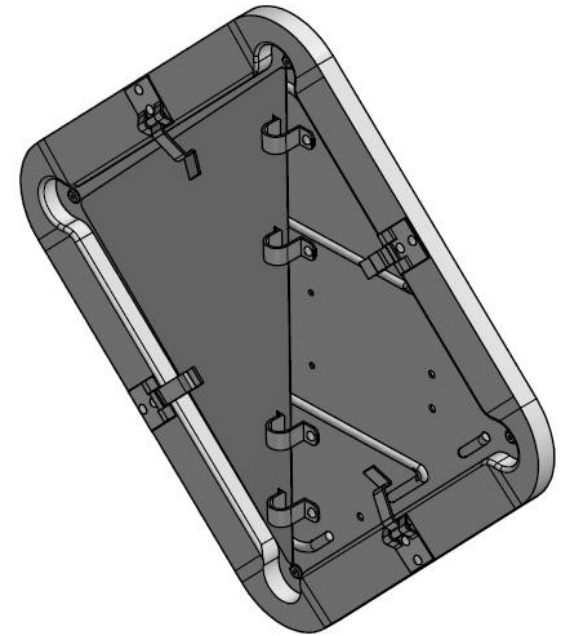
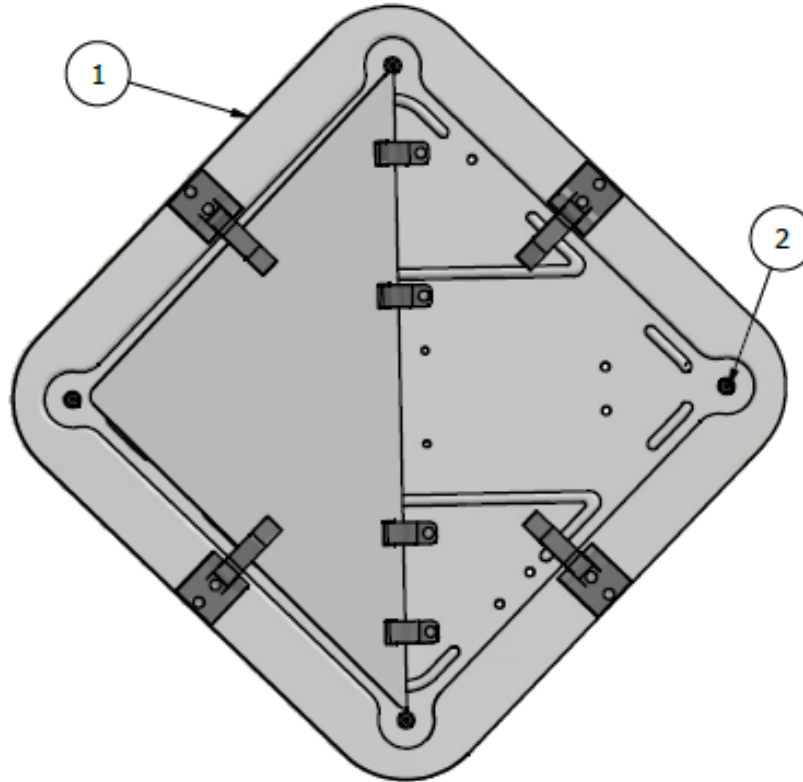
## 420N721



PARTS LIST			
ITEM	QTY	PART NUMBER	DESCRIPTION
1	1	4200720	FLIP SIGN, LABEL MASTER
2	4	6300173	RIVET, DRIVE 3/16" x 1/4"

# FLIP SIGN ASSEMBLY-9, WALL

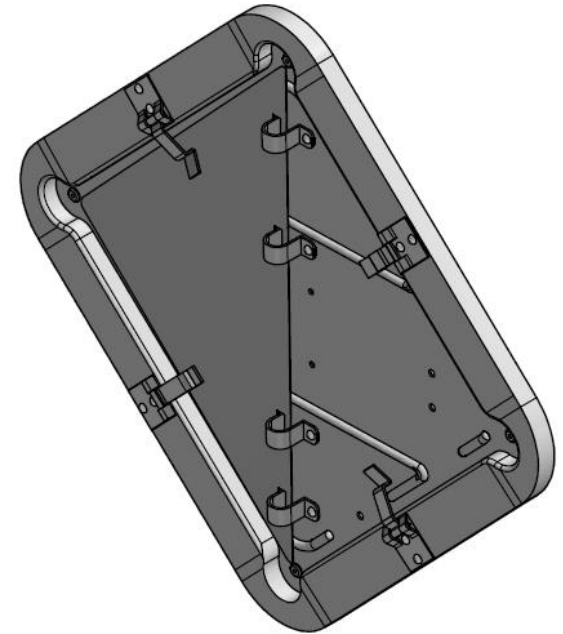
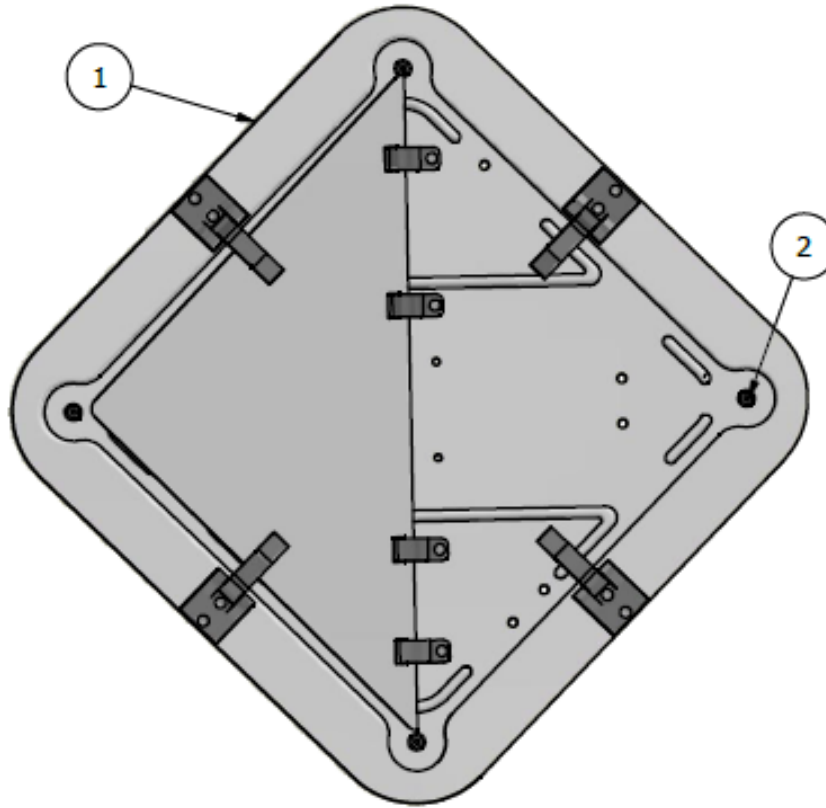
## 420N722



PARTS LIST			
ITEM	QTY	PART NUMBER	DESCRIPTION
1	1	4200721	FLIP SIGN, LABEL MASTER
2	4	6300015	RIVET, POP-6-9 CLOSED END

# FLIP SIGN ASSEMBLY-9, DOOR

## 420N723

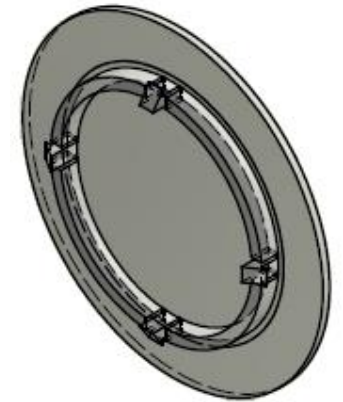
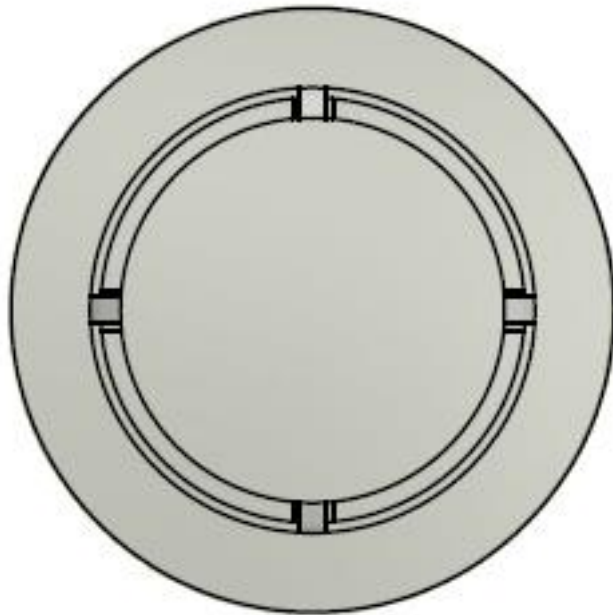


PARTS LIST			
ITEM	QTY	PART NUMBER	DESCRIPTION
1	1	4200721	FLIP SIGN, LABEL MASTER
2	4	6300173	RIVET, DRIVE 3/16" x 1/4"

FLIP SIGN: LABELMATER 27-9CFW

# SKY-LITE 4" ROUND CLEAR

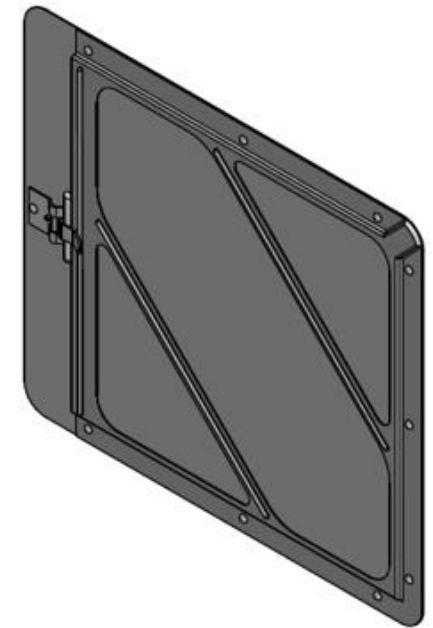
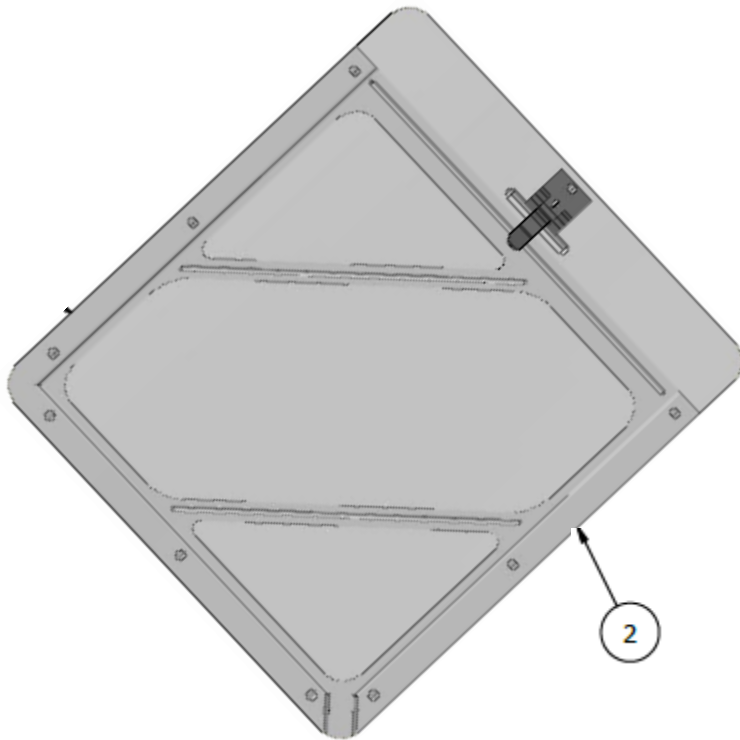
4400233





# PLACARD HOLDER ASSEMBLY, DOOR

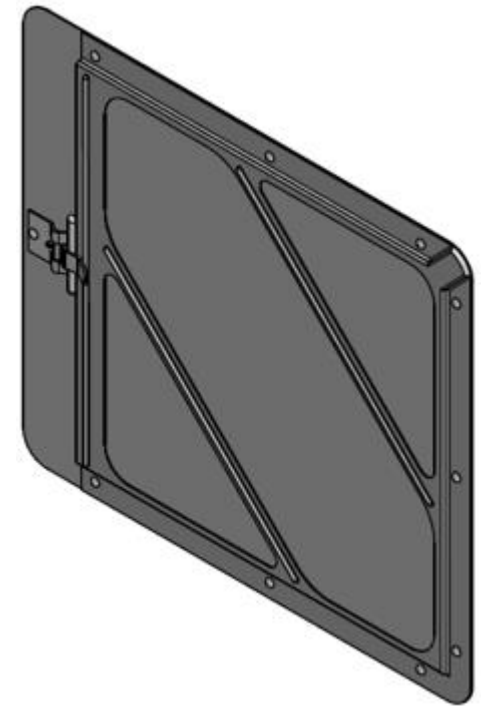
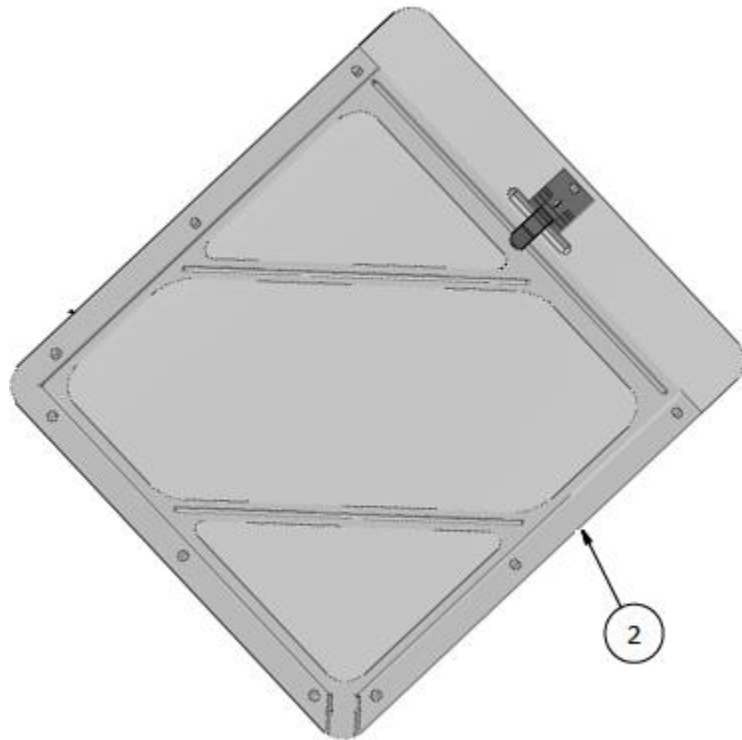
## 750N482



PARTS LIST			
ITEM	QTY	PART NUMBER	DESCRIPTION
1	4	6300173	RIVET, DRIVE 3/16"
2	1	7500109	PLACARD HOLDER, LABEL MASTER

# PLACARD HOLDER ASSEMBLY, SS/FW

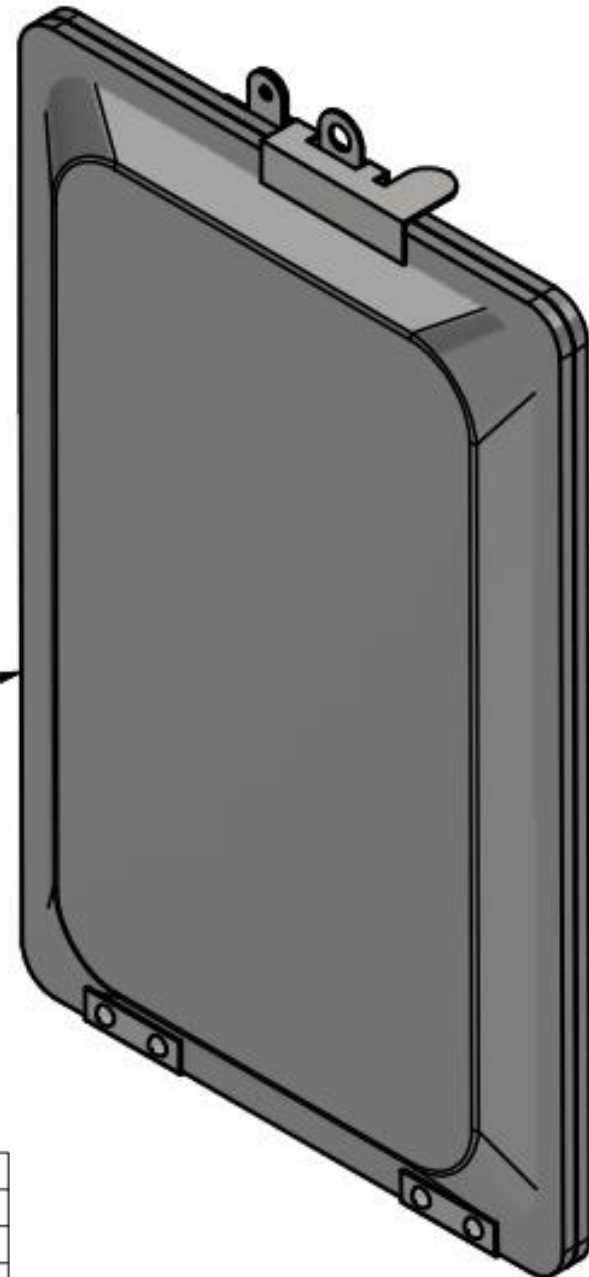
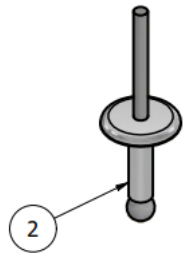
## 750N487



PARTS LIST			
ITEM	QTY	PART NUMBER	DESCRIPTION
1	4	6300015	RIVET, POP 6-9 CLOSED RIVET
2	1	7500109	PLACARD HOLDER, LABEL MASTER

# MANIFEST BOX ASSEMBLY

## 750N806



PARTS LIST			
ITEM	QTY	PART NUMBER	DESCRIPTION
	1	750N806	MANIFEST BOX ASSEMBLY
1	1	7500806	MANIFEST BOX, ALUMINUM
2	4	6300114	RIVET, POP-AD68SSBSLF LG

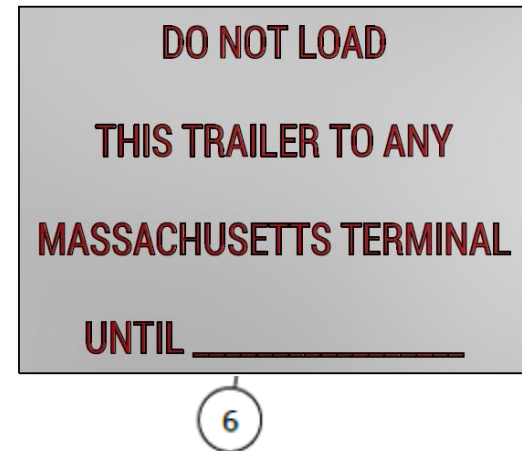
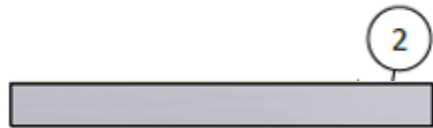
# **XPO**

## **DECAL ASSEMBLIES FOR LTL XPO TRAILERS**

# DECAL ASSEMBLY-BODY, 28'

## 750M046

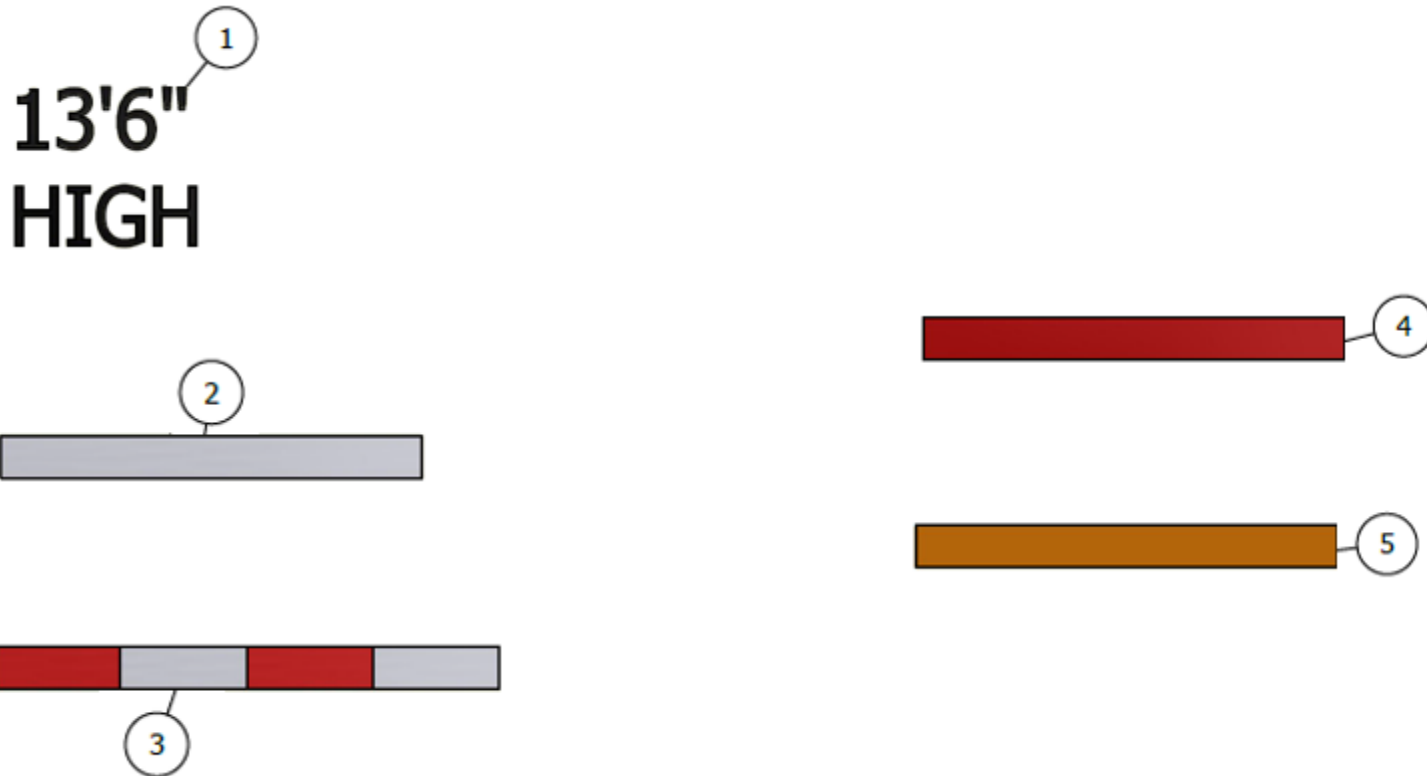
1  
13'6"  
HIGH



PARTS LIST			
ITEM	QTY	PART NUMBER	DESCRIPTION
1	1	4100101	DECAL, 13'6" HIGH
2	4	7500116	CONSPICUITY TAPE, WHITE
3	42	7500117	CONSPICUITY TAPE, 6" RED/6" WHITE
4	8	7500552	TAPE, INTERIOR-SIDEWALL 2" RED
5	3.333	7500580	TAPE, LOAD MARKING - 2" ORANGE
6	1	7501036	DO NOT LOAD - DECAL

# DECAL ASSEMBLY-BODY, 48'

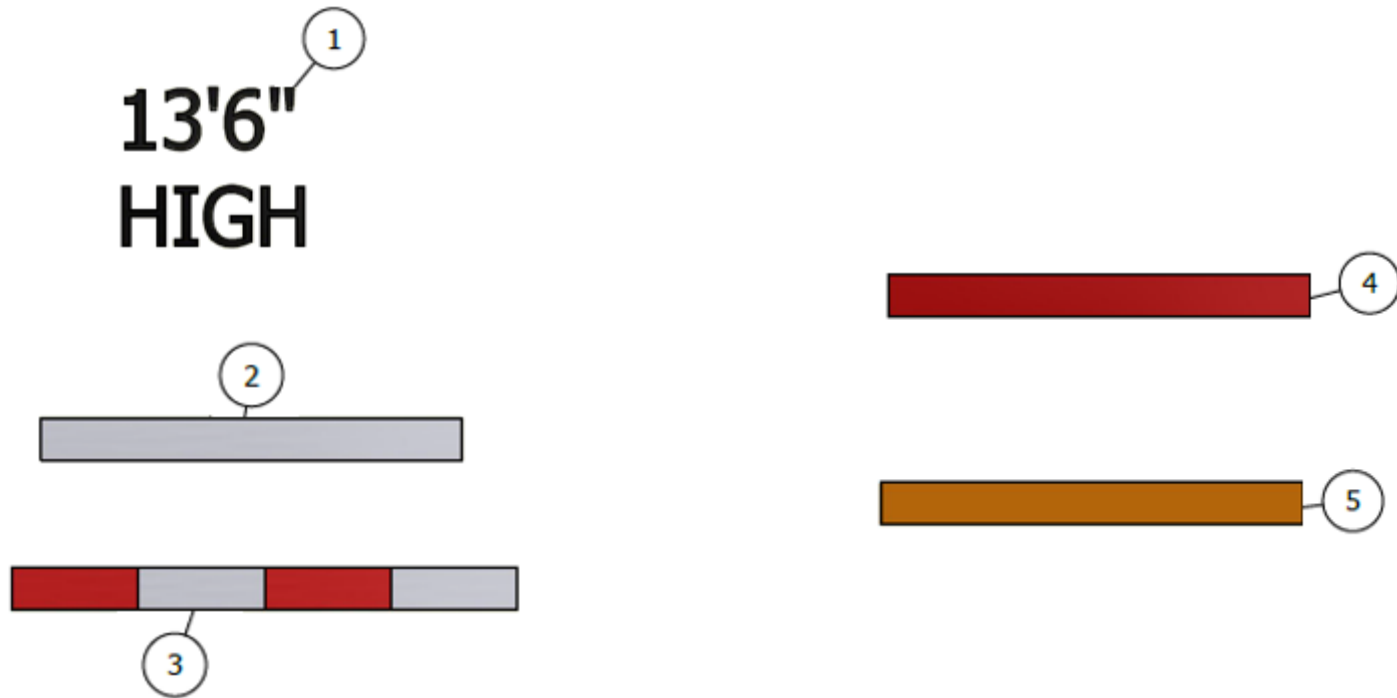
## 750M050



PARTS LIST			
ITEM	QTY	PART NUMBER	DESCRIPTION
1	1	4100101	DECAL, 13'6" HIGH
2	4	7500116	CONSPICUITY TAPE, WHITE
3	62	7500117	CONSPICUITY TAPE, 6" RED/6" WHITE
4	8	7500552	TAPE, INTERIOR-SIDEWALL 2" RED
5	3.333	7500580	TAPE, LOAD MARKING - 2" ORANGE

# DECAL ASSEMBLY-BODY, 53'

## 750M051

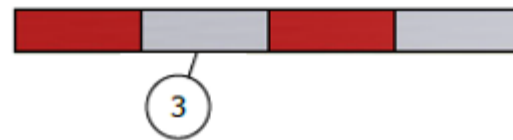
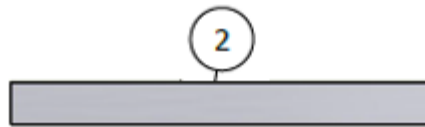
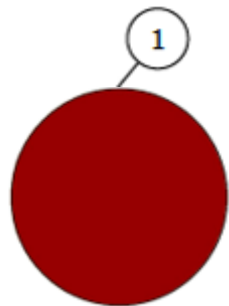


PARTS LIST			
ITEM	QTY	PART NUMBER	DESCRIPTION
1	1	4100101	DECAL, 13'6" HIGH
2	4	7500116	CONSPICUITY TAPE, WHITE
3	67	7500117	CONSPICUITY TAPE, 6" RED/6" WHITE
4	8	7500552	TAPE, INTERIOR-SIDEWALL 2" RED
5	3.333	7500580	TAPE, LOAD MARKING - 2" ORANGE



# DECAL ASSEMBLY-BODY, 53'

## 750M045



PARTS LIST			
ITEM	QTY	PART NUMBER	DESCRIPTION
1	2	7500190	RED DOT, SIDEWALL
2	4	7500116	CONSPICUITY TAPE, WHITE
3	61	7500117	CONSPICUITY TAPE, 6" RED/6" WHITE
4	8	7500552	TAPE, INTERIOR-SIDEWALL 2" RED

# DECAL KIT, COPORATE- 28' TRAILER

## 750N115

PARTS LIST			
ITEM	QTY	PART NUMBER	DESCRIPTION
1	1	7500378	DECAL, DOLLY COVER UP, XPO
2	2	7500431	DECAL, XPO, SIDE LOGO, 39.75" X 112"
3	1	7500432	DECAL, XPO, FRONT LOGO, 11.35" X 32"
4	2	7500434	DECAL, YOUR FREIGHT FIRST, 9" X 75"
5	1	7500437	DECAL, XPO, REAR LOGO, 20" X 57" REFLECTIVE
6	1	750N021	DECAL KIT, UNIT NUMBERS

# DECAL KIT, COPORATE- SEMI

## 750N115

<b>PARTS LIST</b>			
<b>ITEM</b>	<b>QTY</b>	<b>PART NUMBER</b>	<b>DESCRIPTION</b>
1	1	7500378	DECAL, DOLLY COVER UP, XPO
2	2	7500431	DECAL, XPO, SIDE LOGO, 39.75" X 112"
3	1	7500432	DECAL, XPO, FRONT LOGO, 11.35" X 32"
4	2	7500434	DECAL, YOUR FREIGHT FIRST, 9" X 75"
5	1	7500437	DECAL, XPO, REAR LOGO, 20" X 57" REFLECTIVE
6	1	750N021	DECAL KIT, UNIT NUMBERS

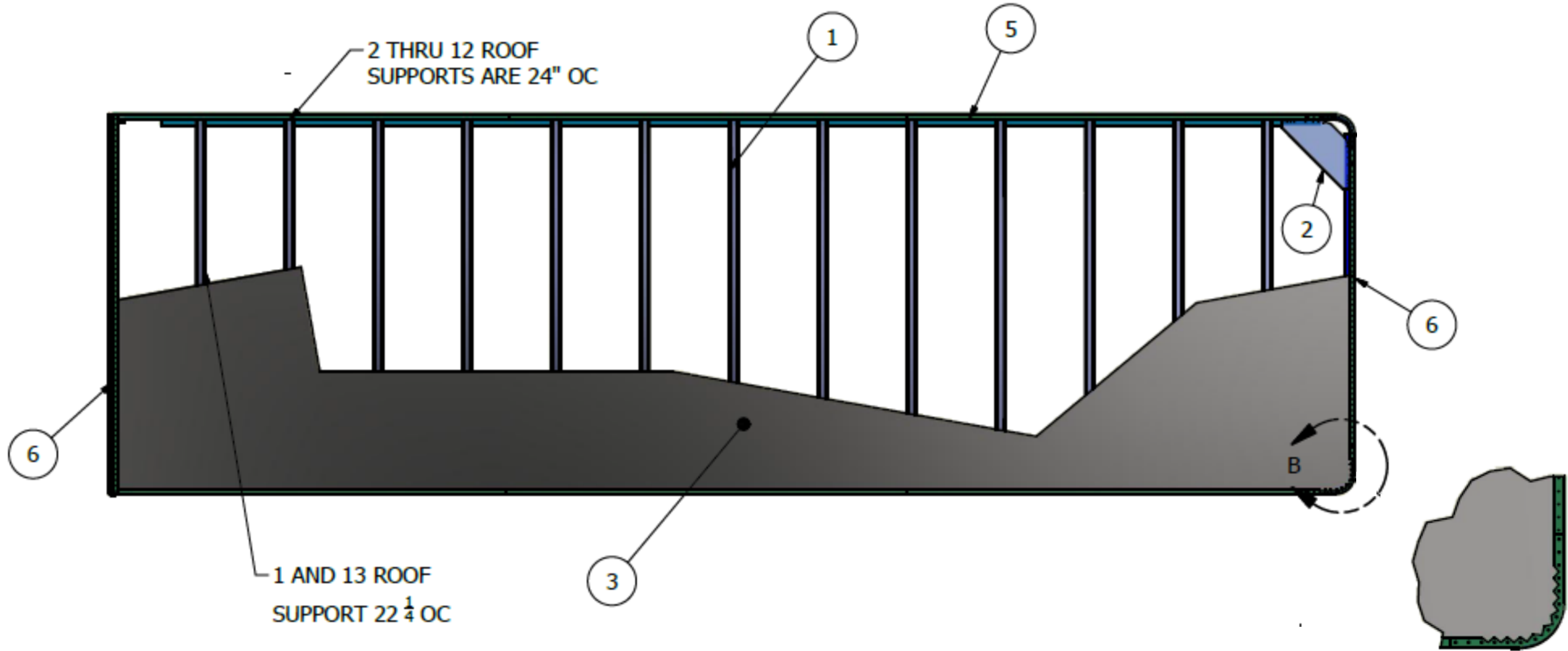


**ROOF ASSEMBLIES  
FOR  
LTL XPO TRAILERS**

# ROOF ASSEMBLY, 28'

## 450M050

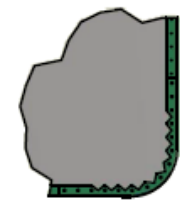
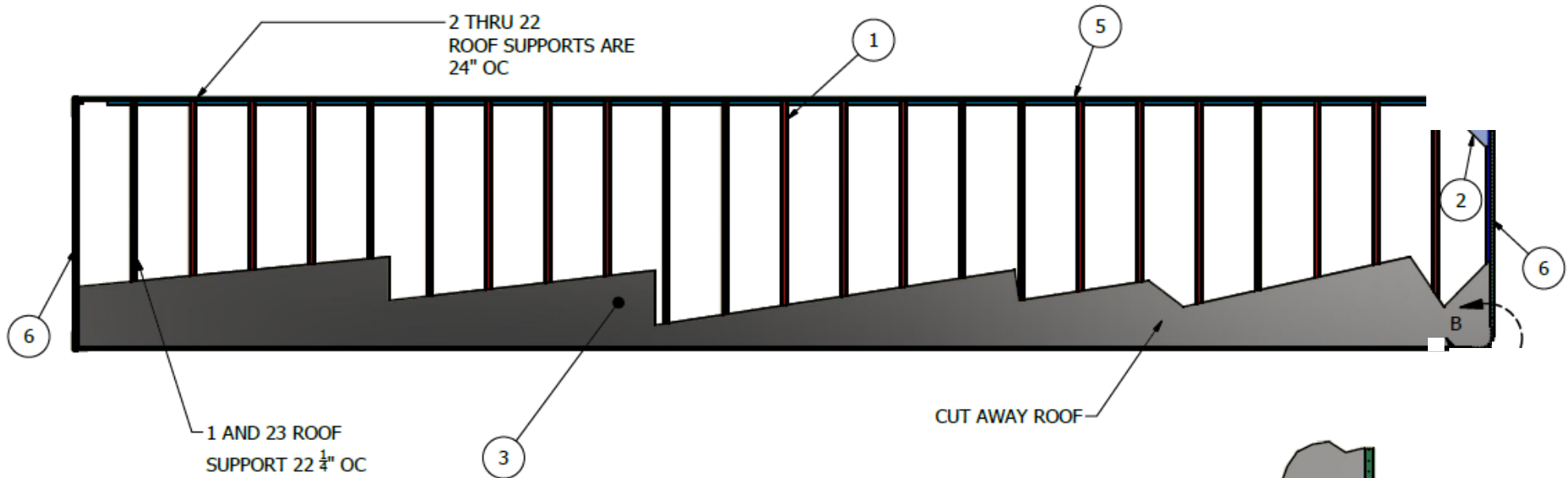
PARTS LIST			
ITEM	QTY	PART NUMBER	DESCRIPTION
1	13	4400310	ROOF BOW, ANTI-SNAG - 18 GA. x 100"
2	2	4607205	PLATE, CORNER ATTACHMENT
3	135 LBS	7800404	COIL ALUMINUM 3003 ROOF 102.625" x .040"
5	7.25	4400204	ROOF FLASHING W/O HOLES
6	2	4400209	ROOF FLASHING W/ 1 1/2" HOLE CENTERS
	1	7500718	SELF-LEVELING ADHESIVE, 76mm, GRAY
	.327	6300106	RIVET, SOLID-AN455AD 6-8
	.23	6300112	RIVET, SOLID-AN455AD 8-8
	292	6300162	RIVET, SOLID 10mm HENROD



# ROOF ASSEMBLY, 48'

## 450M054

PARTS LIST			
ITEM	QTY	PART NUMBER	DESCRIPTION
1	23	4400310	ROOF BOW, ANTI-SNAG - 18 GA. x 100"
2	2	4607205	PLATE, CORNER ATTACHMENT
3	242 LBS	7800404	COIL ALUMINUM 3003 ROOF 102.625" x .040"
5	11.5	4400204	ROOF FLASHING W/O HOLES
6	2	4400209	ROOF FLASHING W/ 1 1/2" HOLE CENTERS
	1	7500718	SELF-LEVELING ADHESIVE, 76mm, GRAY
	.327	6300106	RIVET, SOLID-AN455AD 6-8
	.21	6300112	RIVET, SOLID-AN455AD 8-8
	476	6300162	RIVET, SOLID 10mm HENROD



DETAIL B  
SCALE 1/15

# ROOF ASSEMBLY, 53'

## 450M055

PARTS LIST			
ITEM	QTY	PART NUMBER	DESCRIPTION
1	25	4400310	ROOF BOW, ANTI-SNAG - 18 GA. x 100"
2	2	4607205	PLATE, CORNER ATTACHMENT
3	262 LBS	7800404	COIL ALUMINUM 3003 ROOF 102.625" x .040"
5	12.66	4400204	ROOF FLASHING W/O HOLES
6	2	4400209	ROOF FLASHING W/ 1 1/2" HOLE CENTERS
	1	7500718	SELF-LEVELING ADHESIVE, 76mm, GRAY
	.293	6300106	RIVET, SOLID-AN455AD 6-8
	.235	6300112	RIVET, SOLID-AN455AD 8-8
	518	6300162	RIVET, SOLID 10mm HENROD

